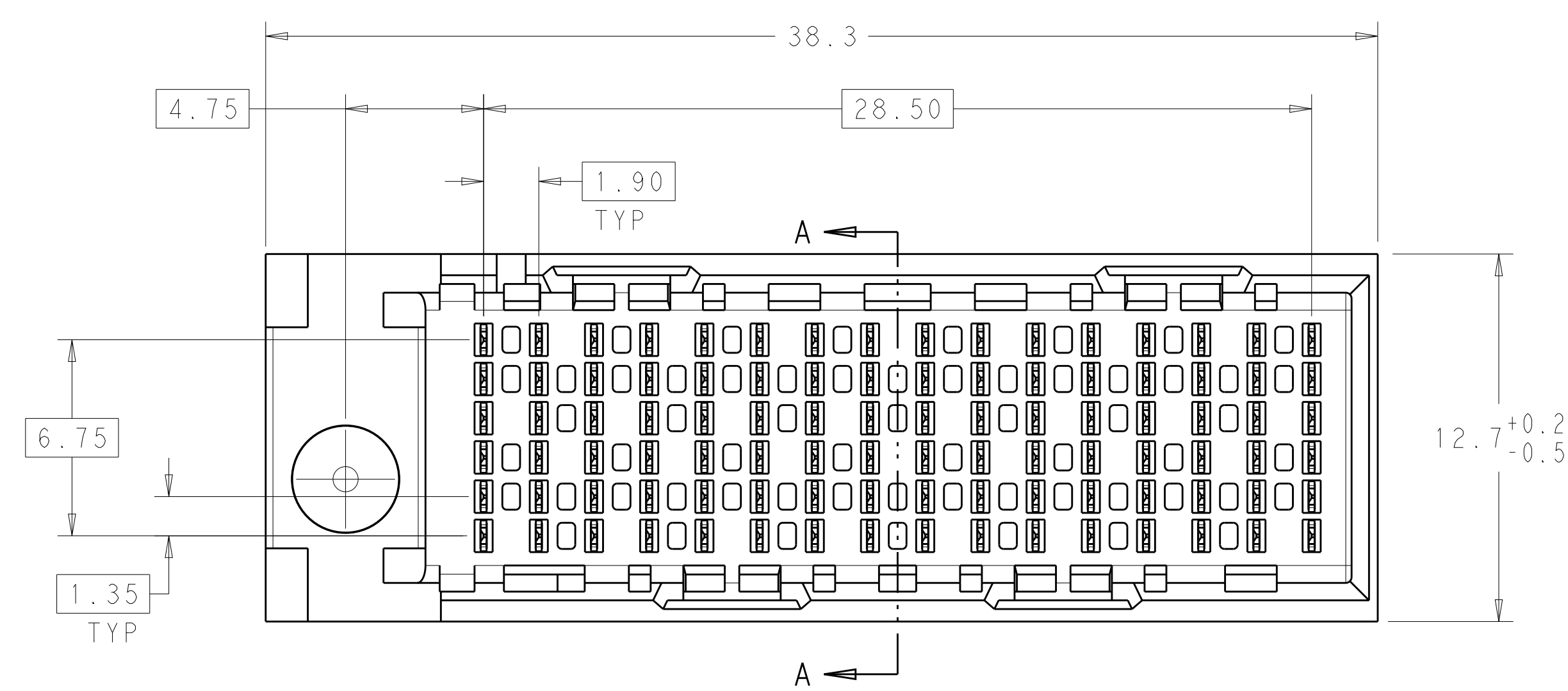
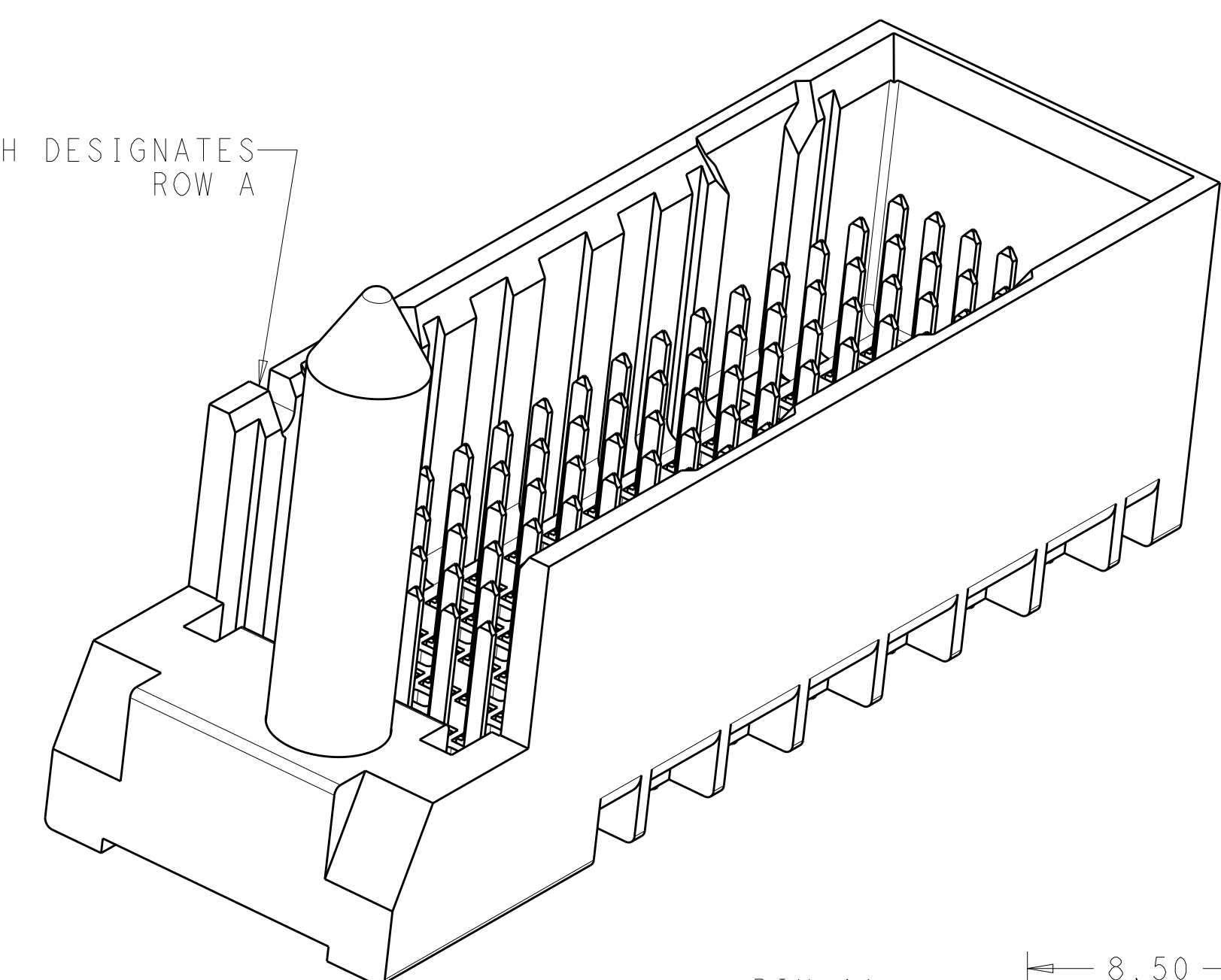


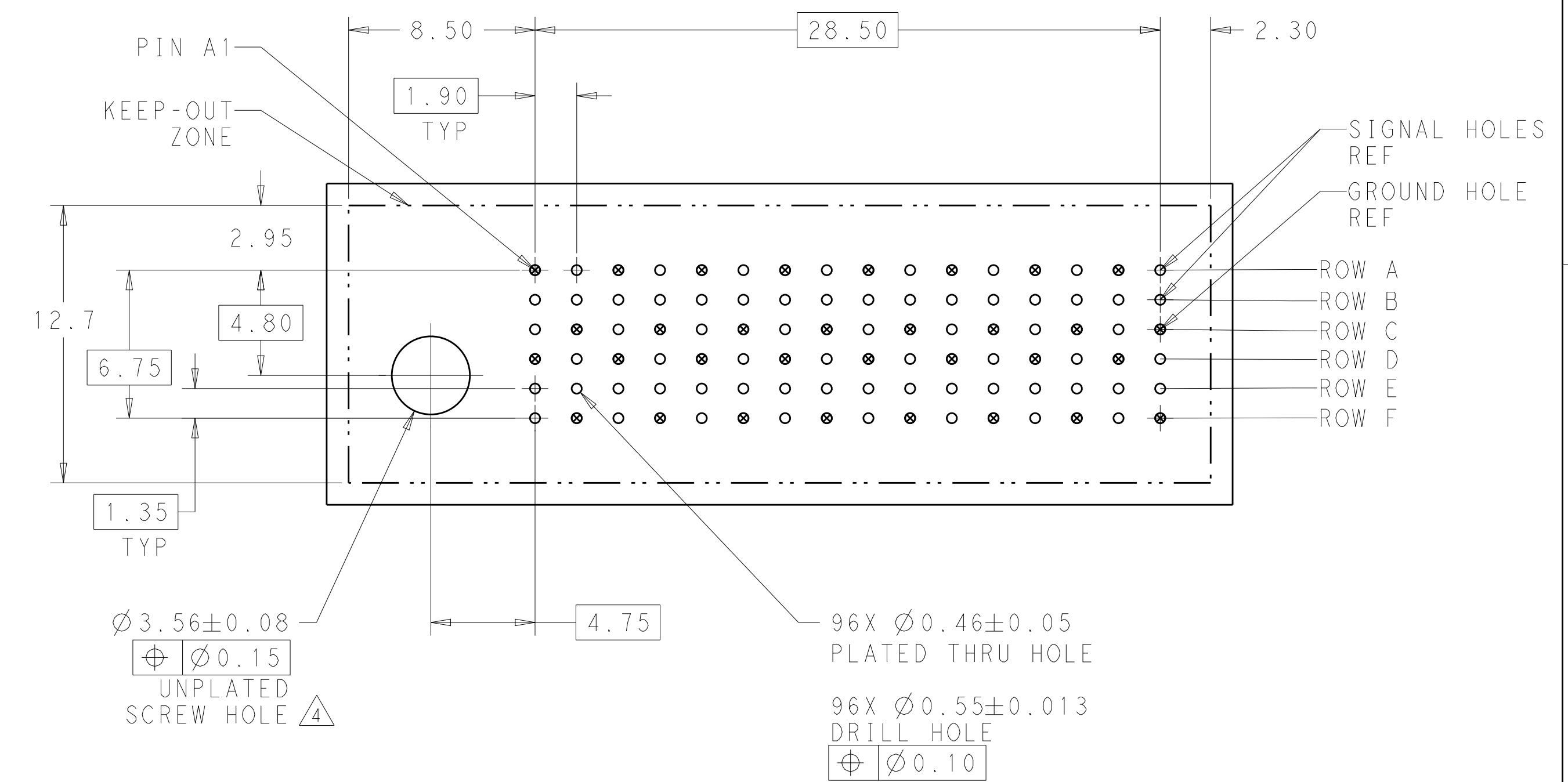
LOC		DIST		REVISIONS			
AD	00	P	LTM	DESCRIPTION	DATE	DWN	APVD
		C1		REVISED PER ECO-15-003239	24MAR2015	AP	DD



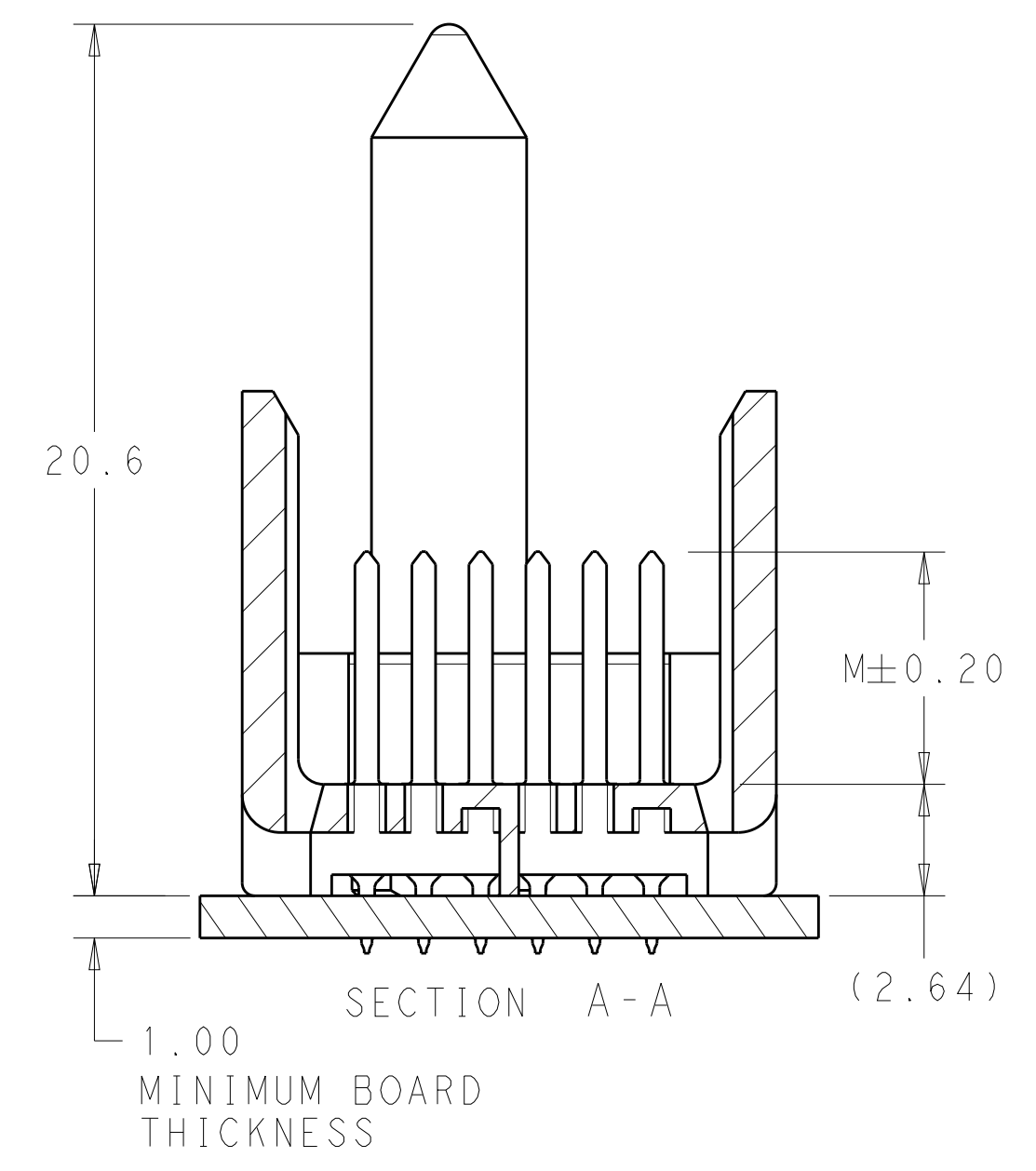
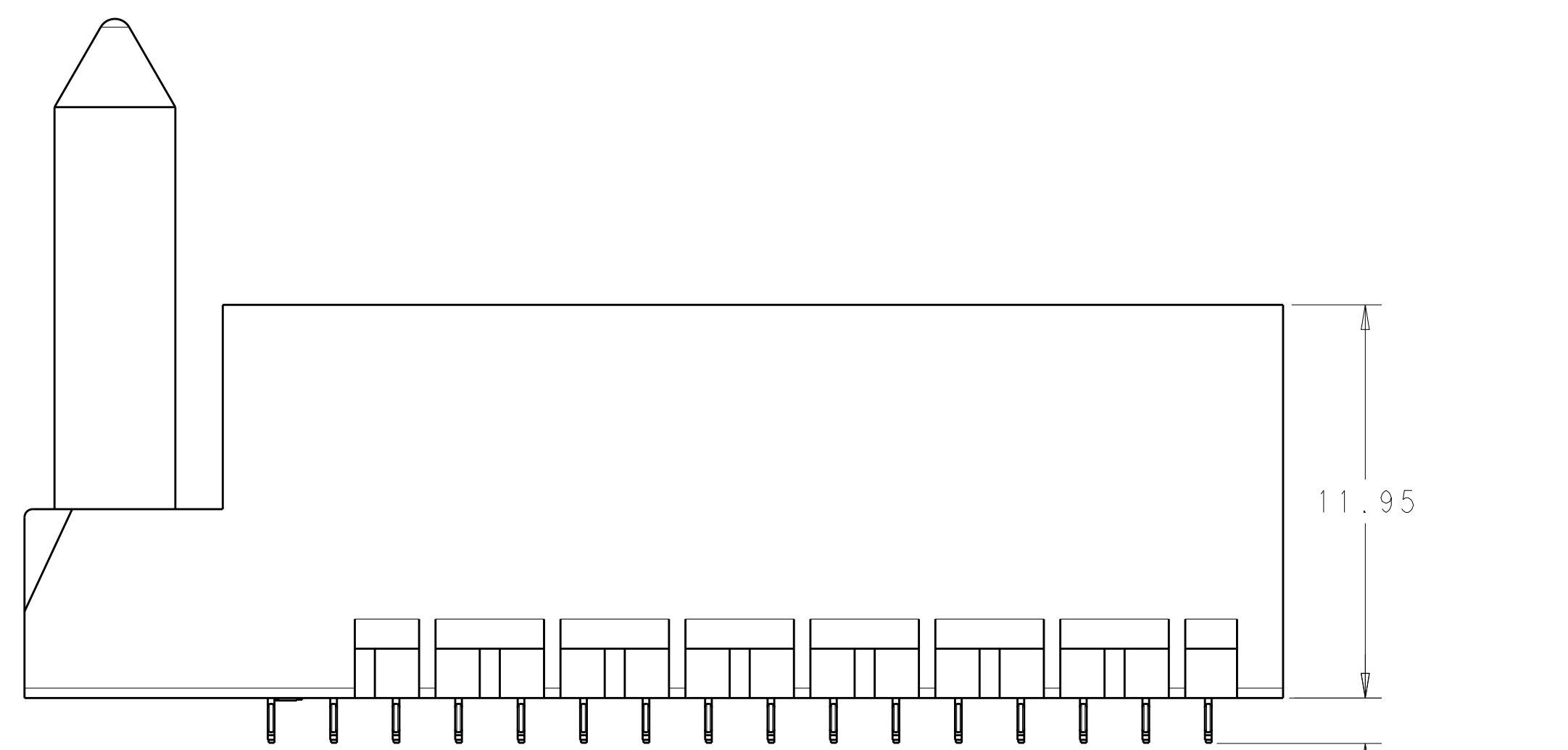
NOTCH DESIGNATES ROW A



- ⚠ MATERIAL:
HOUSING: LCP, GLASS FILLED, UL94V-0.
TERMINALS: HIGH PERFORMANCE COPPER ALLOY.
- ⚠ FINISH:
30μ" MIN GOLD IN CONTACT AREA. SELECTIVE TIN ON PCB TAILS, NICKEL OVERALL.
- 3. SCREWS PACKAGED IN END OF PACKAGING TUBE.
- ⚠ FOR GROUNDED GUIDE PIN USE $\varnothing 3.56 \pm 0.08$ PTH, $\varnothing 3.66$ DRILL, AND $\varnothing 6.5$ PAD.



LEFT GUIDED BACKPLANE HOLE PATTERN (CONNECTOR SIDE)




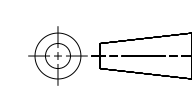
THIS DRAWING IS A CONTROLLED DOCUMENT.		DWN: R. COELLO 27APR2011	TE Connectivity
DIMENSIONS: mm		CHK: J. EARY 27APR2011	
TOLERANCES UNLESS OTHERWISE SPECIFIED:		APVD: J. EARY 27APR2011	NAME: IMPACT, 2 PAIR, 16 COLUMN, HEADER LEFT GUIDED, RIGHT END WALL SIGNAL MODULE, 0.46 PTH SIZE: CAGE CODE DRAWING NO: A100779 ©=2057738 RESTRICTED TO:
0 PLC ± 1 PLC ±0.25 2 PLC ±0.13 3 PLC ± 4 PLC ± ANGLES ±		PRODUCT SPEC: APPLICATION SPEC: WEIGHT: MATERIAL: SEE TABLE FINISH: SEE TABLE	
MATERIAL: SEE TABLE		Customer Drawing	SCALE: 6:1 SHEET 1 OF 2 REV: C2

THIS DRAWING IS UNPUBLISHED. RELEASED FOR PUBLICATION 20
 © COPYRIGHT 20 BY - ALL RIGHTS RESERVED.

LOC		DIST		REVISIONS			
AD	00	P	LTN	DESCRIPTION	DATE	DWN	APVD
		-		SEE SHEET 1	-	-	-

FINISH	DIM M	PART NUMBER
\triangle	5.5	2057738-3
\triangle	4.9	2057738-2
\triangle	4.5	2057738-1

REFER TO WWW.TE.COM
FOR PRODUCT AVAILABILITY

THIS DRAWING IS A CONTROLLED DOCUMENT.		DWN R. COELLO 27APR2011	 TE Connectivity
DIMENSIONS: mm		CHK J. EARY 27APR2011	
TOLERANCES UNLESS OTHERWISE SPECIFIED: 0 PLC ± 1 PLC ±0.25 2 PLC ±0.13 3 PLC ± 4 PLC ± ANGLES ±		APVD J. EARY 27APR2011	
		PRODUCT SPEC	NAME IMPACT, 2 PAIR, 16 COLUMN, HEADER LEFT GUIDED, RIGHT END WALL SIGNAL MODULE, 0.46 PTH
MATERIAL FINISH SEE TABLE		APPLICATION SPEC	SIZE CAGE CODE DRAWING NO RESTRICTED TO
		WEIGHT	A100779C=2057738
		Customer Drawing	SCALE 5:1 SHEET 2 OF 2 REV C2