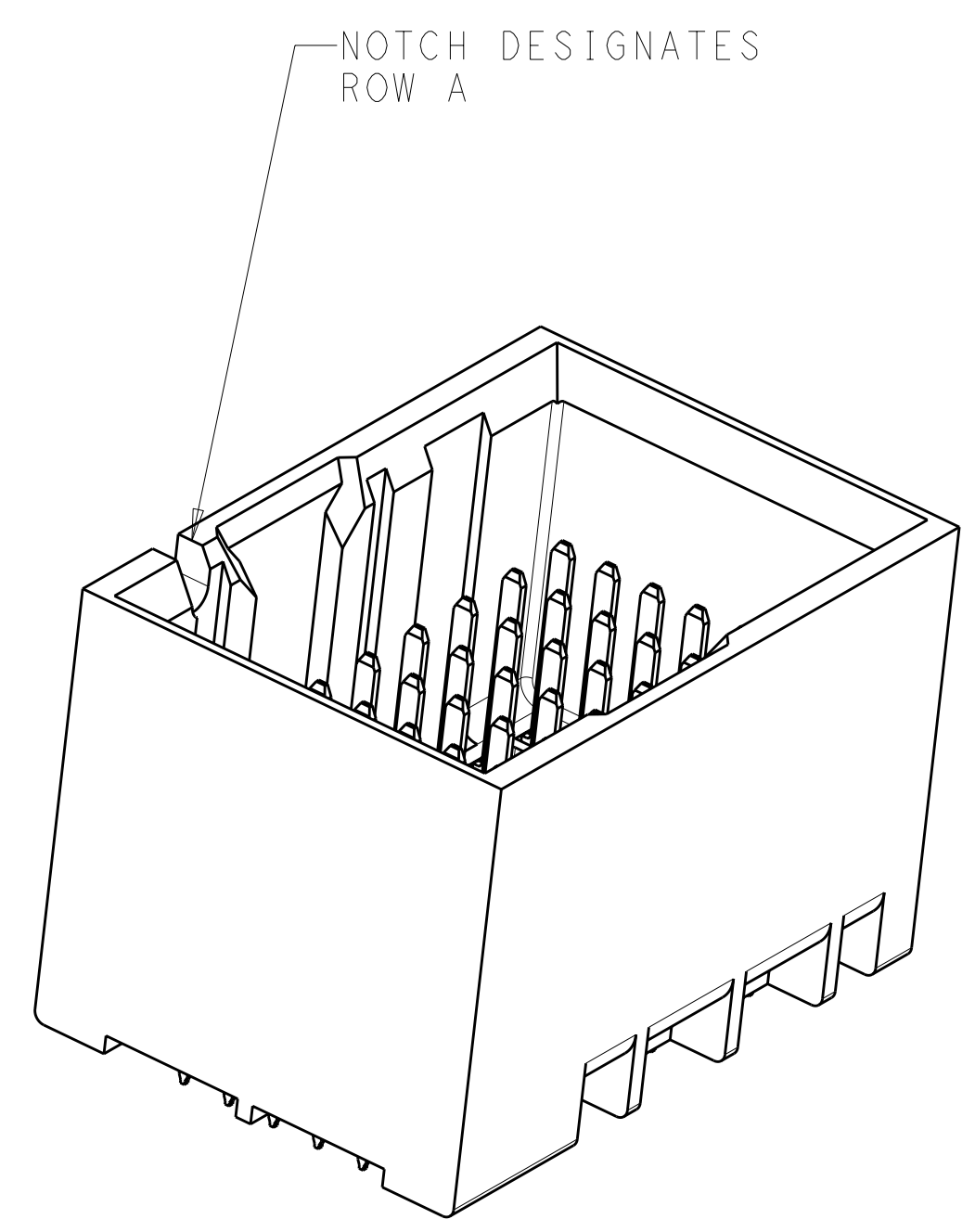
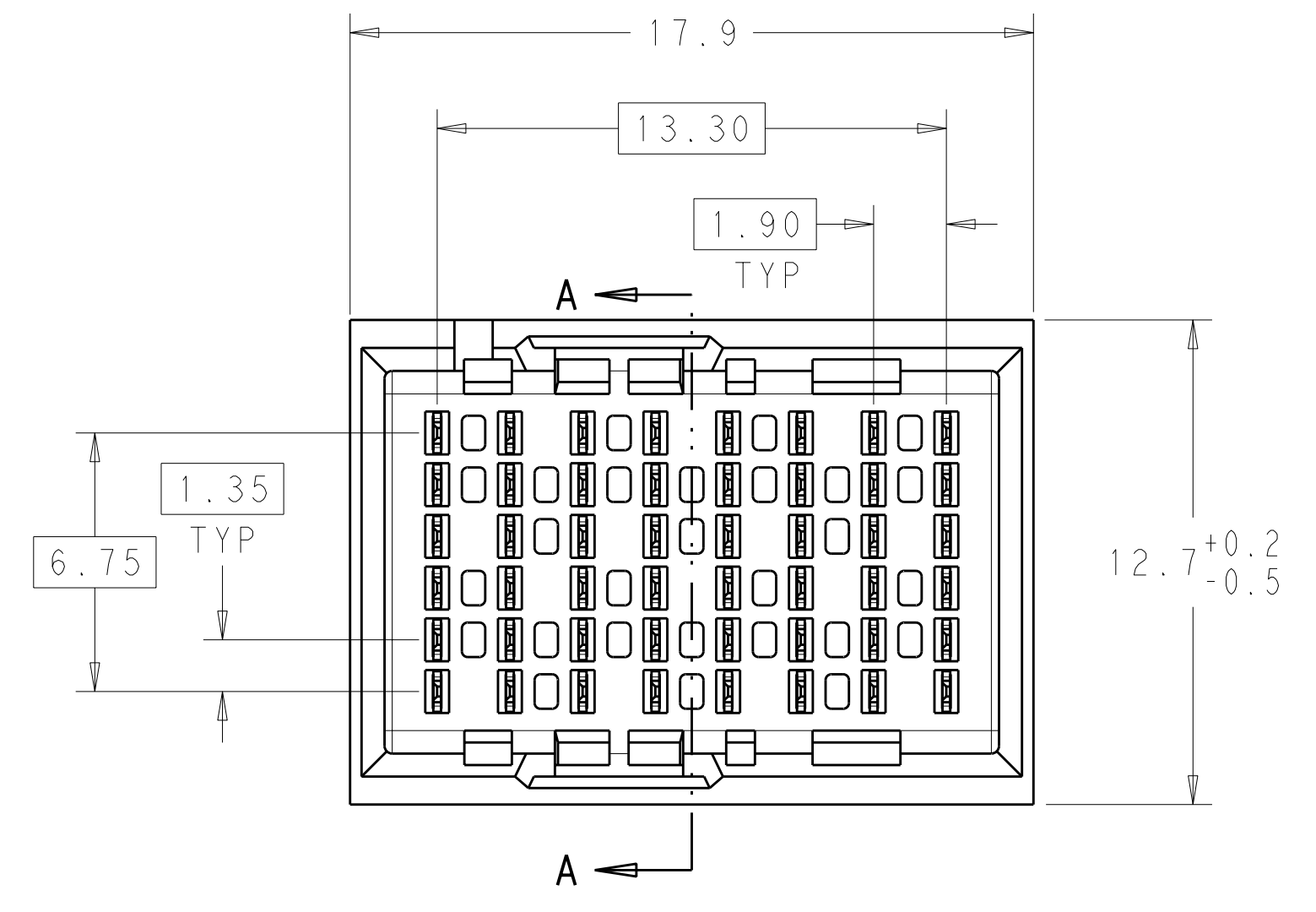
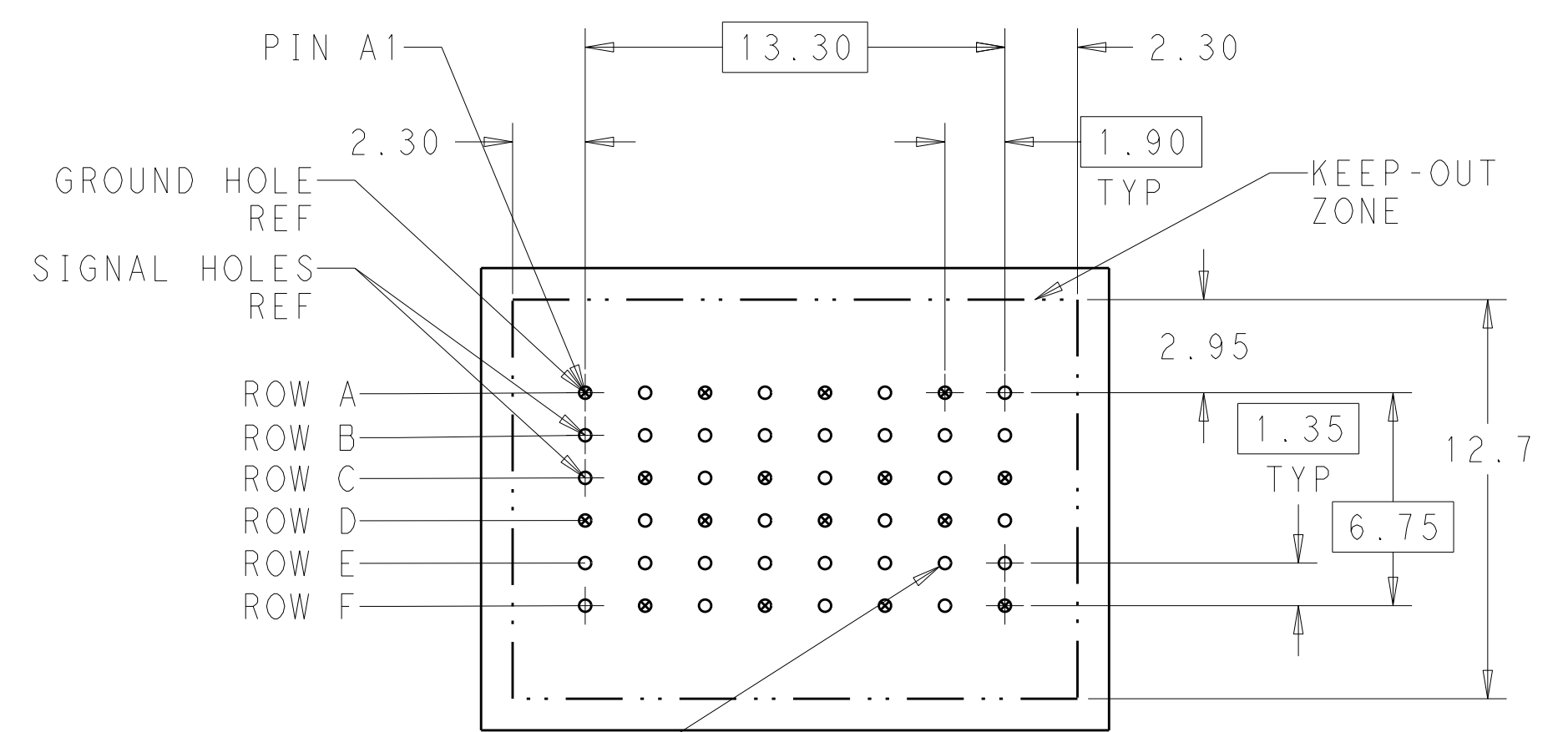


LOC		DIST		REVISIONS			
AD	00	P	LTB	DESCRIPTION	DATE	DWN	APVD
		B		REVISED PER ECO-11-025276	11JAN12	KH	DY

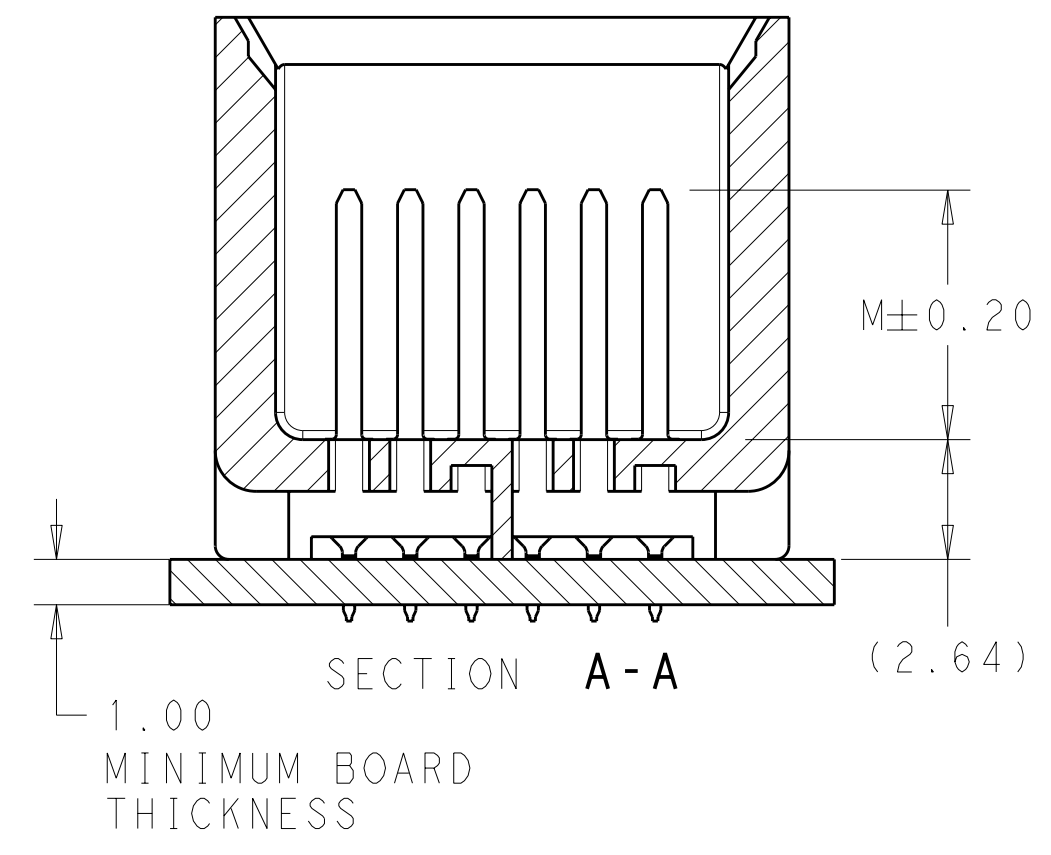
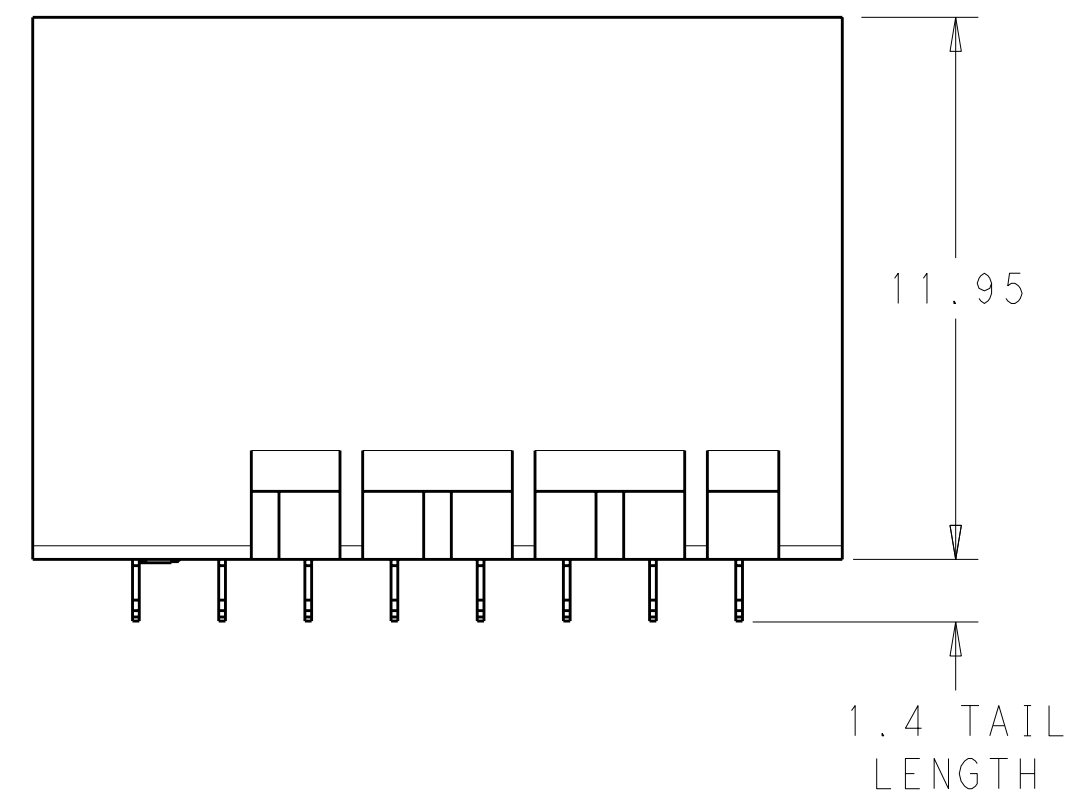


- 1 MATERIAL:
HOUSING: LCP, GLASS FILLED, UL94V-0.
TERMINALS: HIGH PERFORMANCE COPPER ALLOY.
- 2 FINISH:
30μ" MIN GOLD IN CONTACT AREA. SELECTIVE TIN
ON PCB TAILS, NICKEL OVERALL.
- 3 FINISH:
30μ" MIN GOLD IN CONTACT AREA. SELECTIVE TIN-LEAD
ON PCB TAILS, NICKEL OVERALL.



48X $\varnothing 0.39 \pm 0.05$
 $\varnothing 0.10$
 PLATED THRU HOLE

UNGUIDED
 BACKPLANE HOLE PATTERN
 (CONNECTOR SIDE)



THIS DRAWING IS A CONTROLLED DOCUMENT.		DWN	27APR2011	TE Connectivity
DIMENSIONS:		CHK	27APR2011	
mm	TOLERANCES UNLESS OTHERWISE SPECIFIED:	APVD	27APR2011	NAME
0 PLC ± 1 PLC ±0.25 2 PLC ±0.13 3 PLC ± 4 PLC ± ANGLES ±	SEE TABLE	PRODUCT SPEC APPLICATION SPEC	SIZE CAGE CODE DRAWING NO A1100779C=2057734	IMPACT, 2 PAIR, 8 COLUMN, HEADER UNGUIDED, DUAL END WALL SIGNAL MODULE, 0.39 PTH
MATERIAL	FINISH	WEIGHT	CUSTOMER DRAWING	RESTRICTED TO
			SCALE 6:1	SHEET 1 OF 2
				REV B

THIS DRAWING IS UNPUBLISHED. RELEASED FOR PUBLICATION 20
 © COPYRIGHT 20 . . . ALL RIGHTS RESERVED.

LOC	DIST	REVISIONS					
AD	00	P	LTB	DESCRIPTION	DATE	DWN	APVD
		-	-	SEE SHEET 1	-	-	-

FINISH	DIM M	PART NUMBER
\triangle_3	5.5	2057734-6
\triangle_3	4.9	2057734-5
\triangle_3	4.5	2057734-4
\triangle_2	5.5	2057734-3
\triangle_2	4.9	2057734-2
\triangle_2	4.5	2057734-1

REFER TO WWW.TE.COM
FOR PRODUCT AVAILABILITY

THIS DRAWING IS A CONTROLLED DOCUMENT.		DWN	27APR2011		TE Connectivity
DIMENSIONS:		CHK	27APR2011		NAME
mm	TOLERANCES UNLESS OTHERWISE SPECIFIED:	APVD	J. EABY 27APR2011	IMPACT, 2 PAIR, 8 COLUMN, HEADER	
	0 PLC	±		UNGUIDED, DUAL END WALL	
	1 PLC	±0.25		SIGNAL MODULE, 0.39 PTH	
	2 PLC	±0.13		RESTRICTED TO	
	3 PLC	±		SIZE CAGE CODE DRAWING NO	
4 PLC	±			A100779C=2057734	
ANGLES	±			WEIGHT	
FINISH	SEE TABLE			CUSTOMER DRAWING	
MATERIAL				SCALE 5:1 SHEET 2 OF 2 REV B	