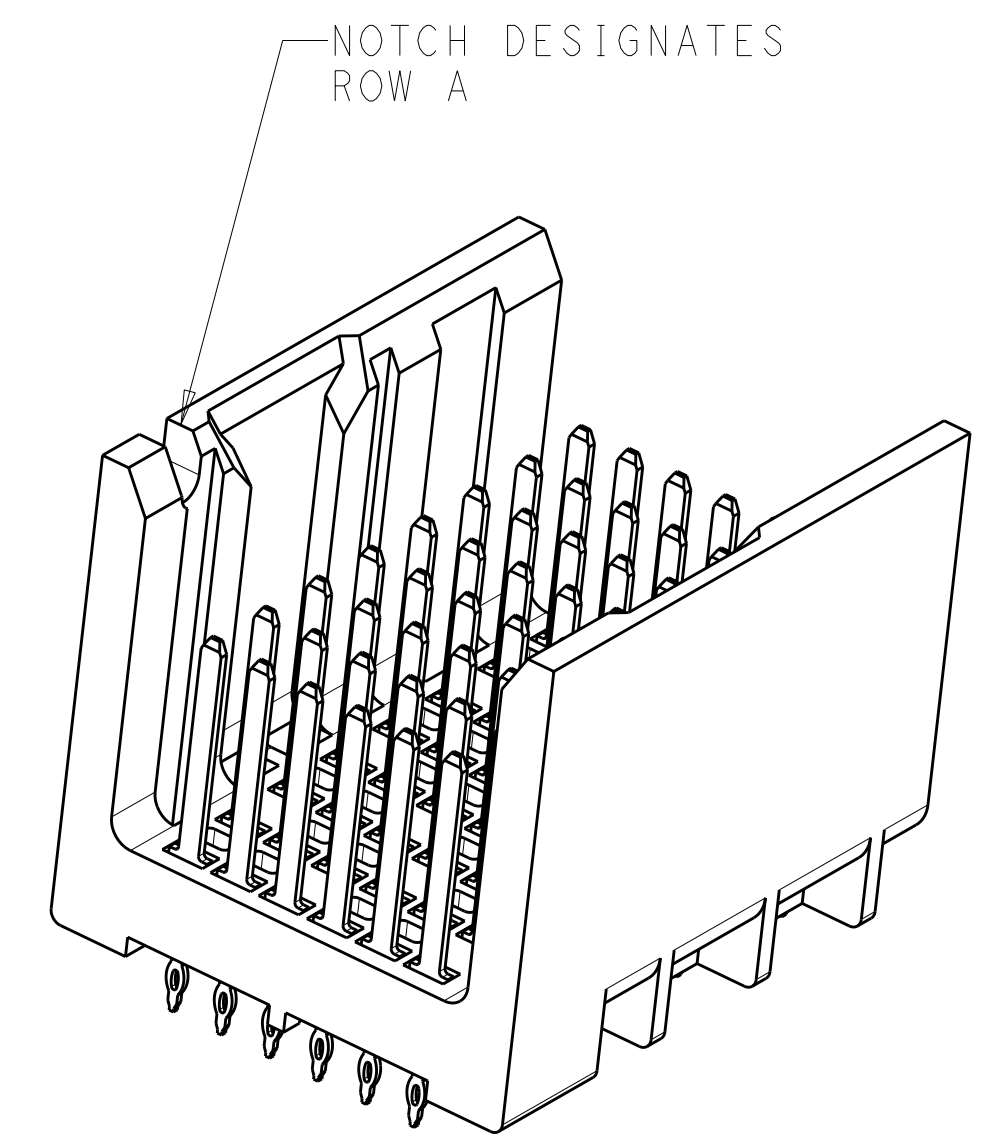
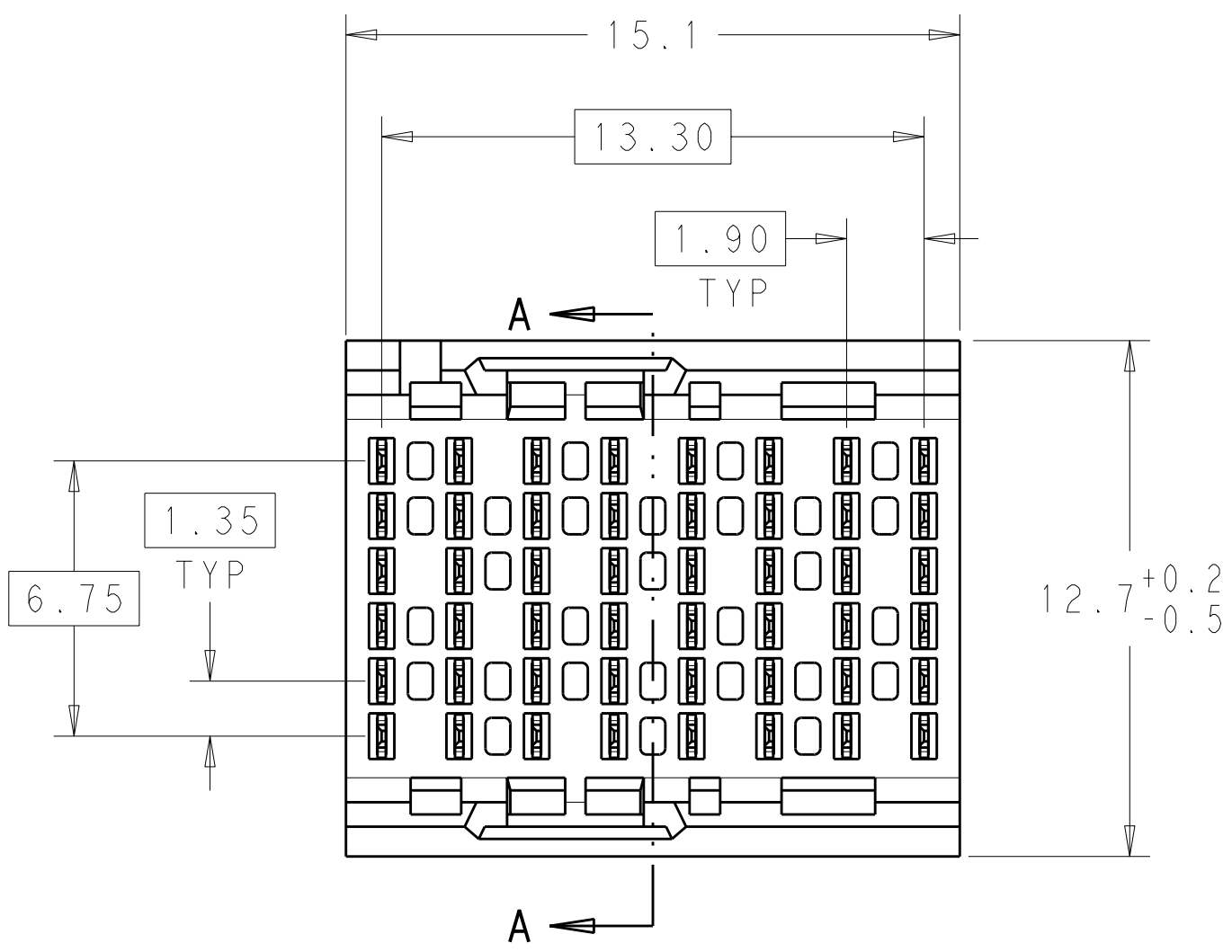
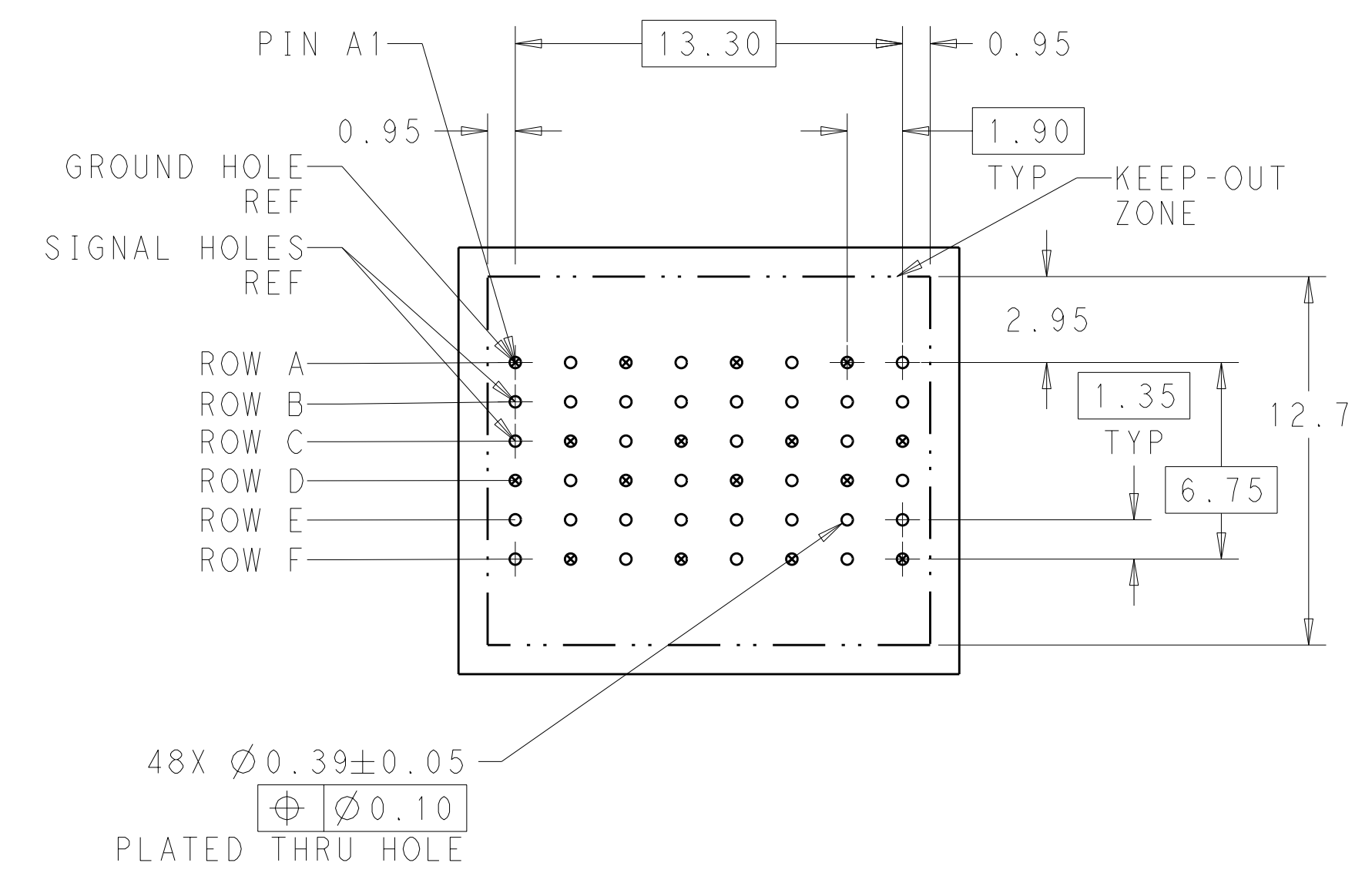


LOC		DIST		REVISIONS			
AD	00	REV	DATE	BY	CHK	APP	DATE
		B	11JAN12	REVISED PER ECO-11-025276			

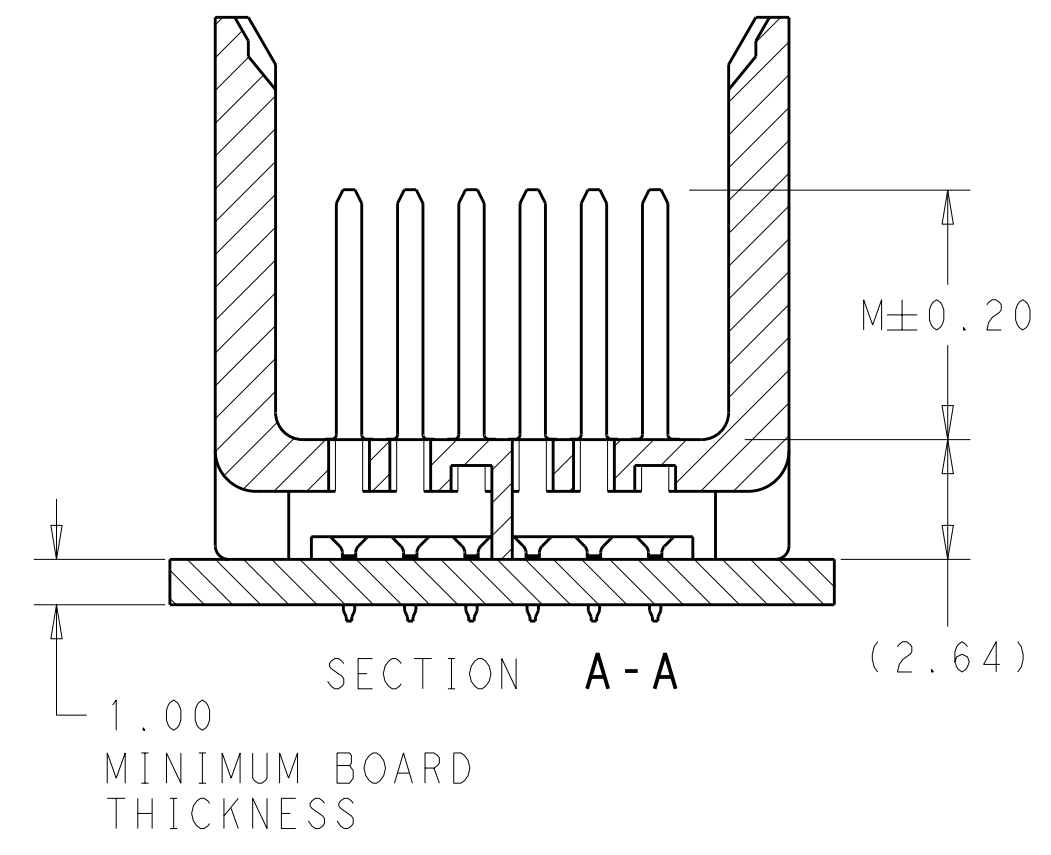
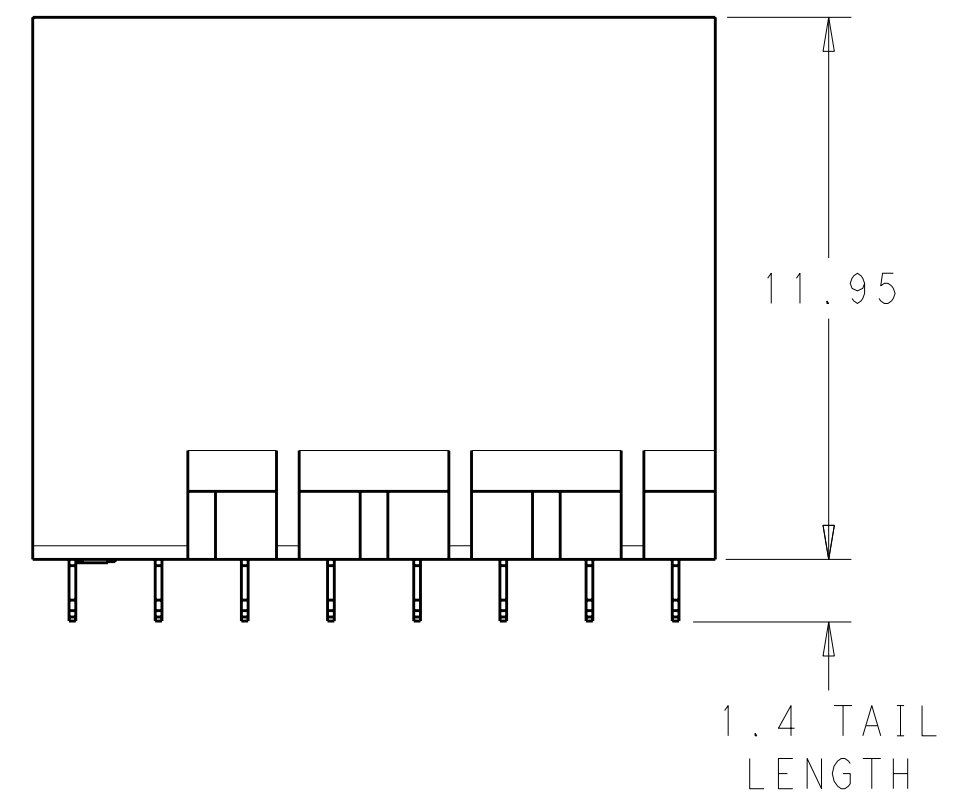


- 1 MATERIAL:
HOUSING: LCP, GLASS FILLED, UL94V-0.
TERMINALS: HIGH PERFORMANCE COPPER ALLOY.
- 2 FINISH:
30µ" MIN GOLD IN CONTACT AREA. SELECTIVE TIN
ON PCB TAILS, NICKEL OVERALL.
- 3 FINISH:
30µ" MIN GOLD IN CONTACT AREA. SELECTIVE TIN-LEAD
ON PCB TAILS, NICKEL OVERALL.



48X $\varnothing 0.39 \pm 0.05$
 $\varnothing 0.10$
 PLATED THRU HOLE

UNGUIDED
 BACKPLANE HOLE PATTERN
 (CONNECTOR SIDE)




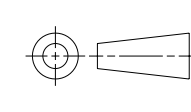
THIS DRAWING IS A CONTROLLED DOCUMENT.		DWN	29APR2011	STE TE Connectivity
DIMENSIONS:		CHK	29APR2011	
mm		APVD	29APR2011	
9 PLC ± 1 PLC ±0.25 2 PLC ±0.13 3 PLC ± 4 PLC ± ANGLES ± FINISH SEE TABLE		NAME	IMPACT, 2 PAIR, 8 COLUMN, HEADER UNGUIDED, OPEN END WALL SIGNAL MODULE, 0.39 PTH	
MATERIAL		PRODUCT SPEC	APPLICATION SPEC	SIZE CAGE CODE DRAWING NO
1.00 MINIMUM BOARD THICKNESS SECTION A-A (2.64)		WEIGHT		A100779C=2057732
		CUSTOMER DRAWING	SCALE 6:1	SHEET 1 OF 2 REV B

THIS DRAWING IS UNPUBLISHED. RELEASED FOR PUBLICATION 20
 © COPYRIGHT 20 . . . ALL RIGHTS RESERVED.

LOC	DIST	REVISIONS					
AD	00	P	LTG	DESCRIPTION	DATE	DWN	APVD
		-	-	SEE SHEET 1	-	-	-

FINISH	DIM M	PART NUMBER
\triangle_3	5.5	2057732-6
\triangle_3	4.9	2057732-5
\triangle_3	4.5	2057732-4
\triangle_2	5.5	2057732-3
\triangle_2	4.9	2057732-2
\triangle_2	4.5	2057732-1

REFER TO WWW.TE.COM
FOR PRODUCT AVAILABILITY

THIS DRAWING IS A CONTROLLED DOCUMENT.		DWN	29APR2011	 TE Connectivity
DIMENSIONS:		CHK	29APR2011	
mm	TOLERANCES UNLESS OTHERWISE SPECIFIED:	APVD	J. EABY 29APR2011	NAME
	0 PLC ±	PRODUCT SPEC		IMPACT, 2 PAIR, 8 COLUMN, HEADER
	1 PLC ±0.25	APPLICATION SPEC		UNGUIDED, OPEN END WALL
	2 PLC ±0.13	WEIGHT		SIGNAL MODULE, 0.39 PTH
	3 PLC ±	CUSTOMER DRAWING		SIZE CAGE CODE DRAWING NO RESTRICTED TO
	4 PLC ±	SCALE	5:1	A100779C=2057732
	ANGLES ±	SHEET	2	OF 2
MATERIAL	FINISH	REV	B	
	SEE TABLE			