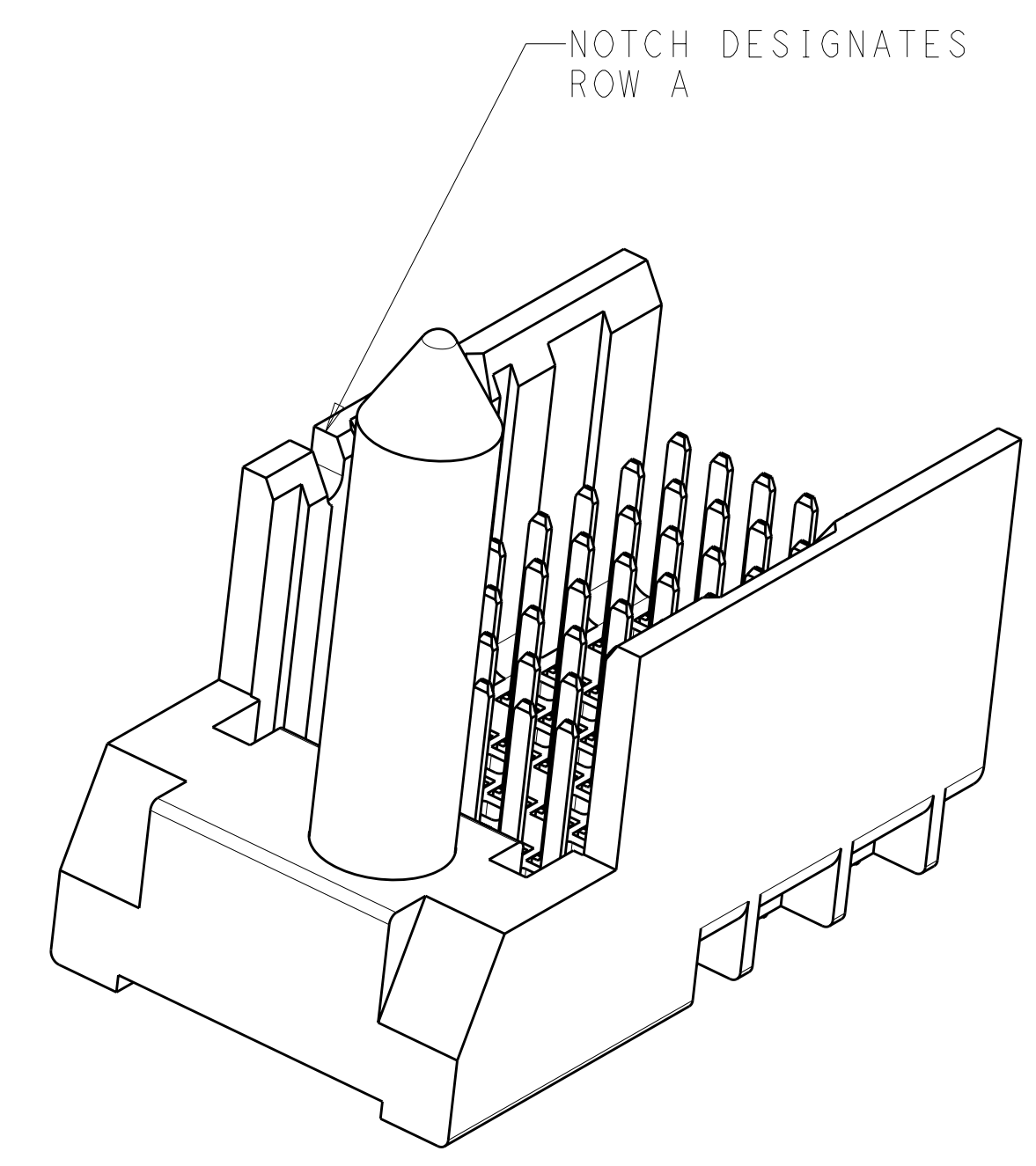
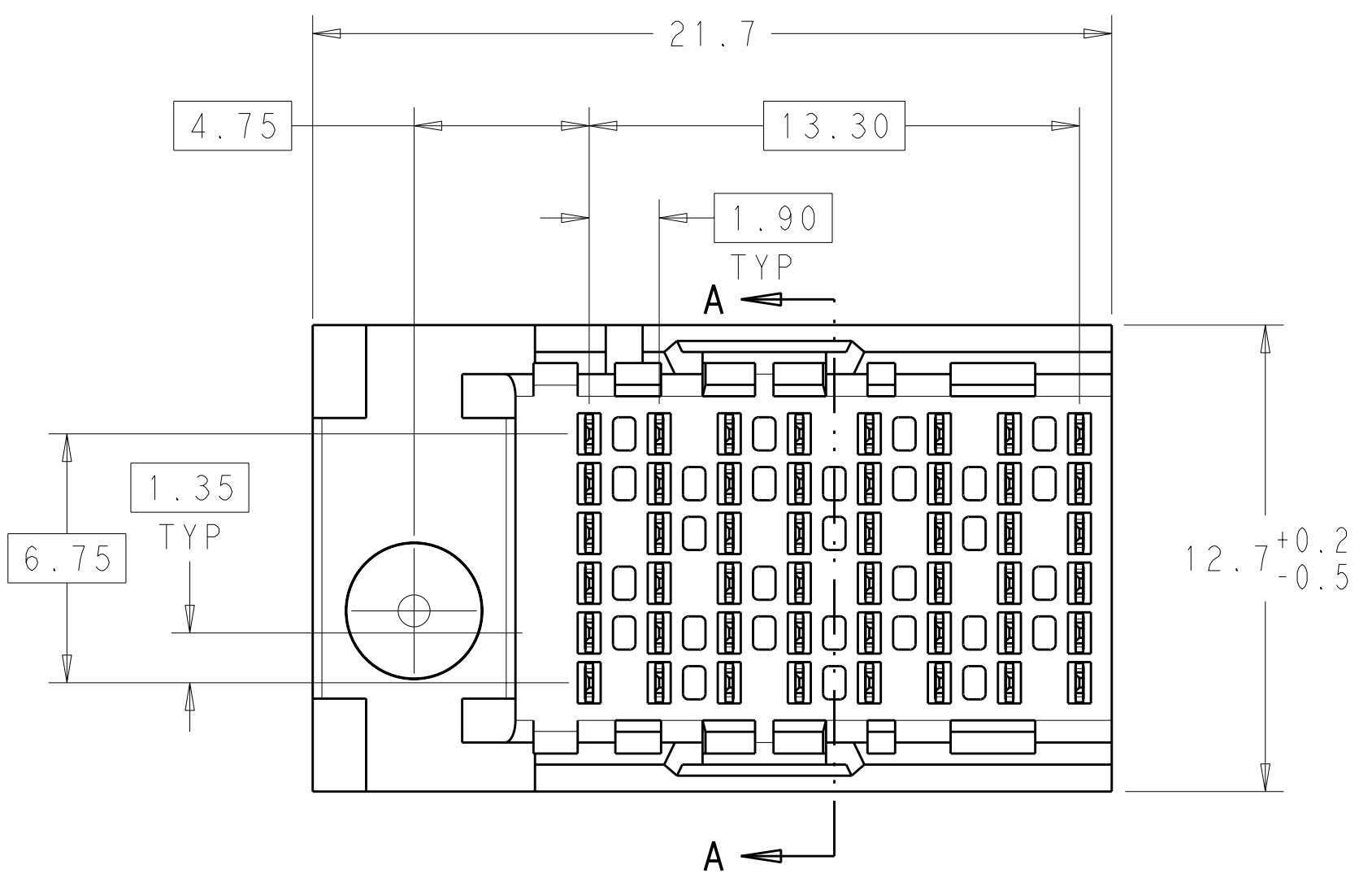
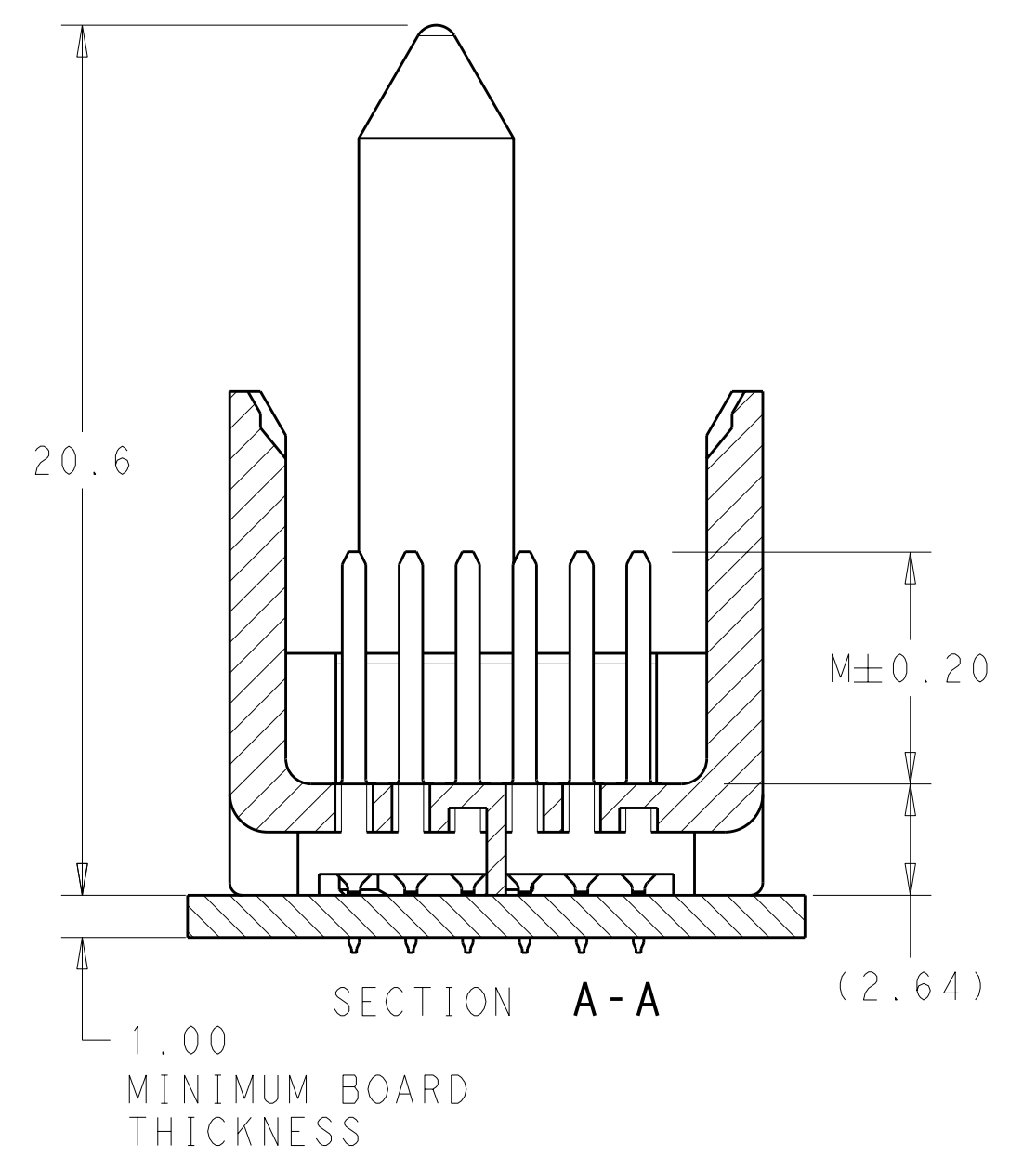
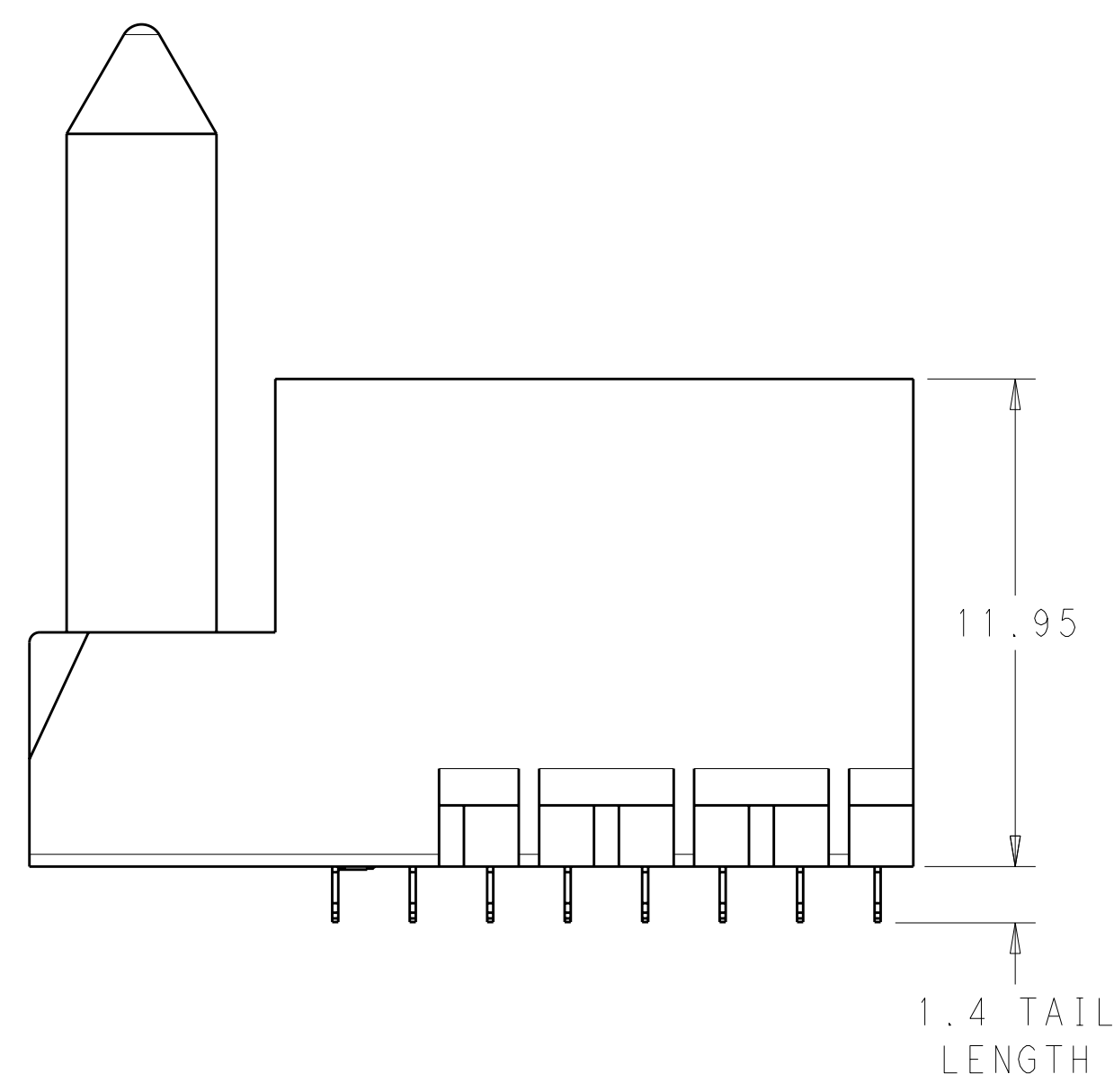
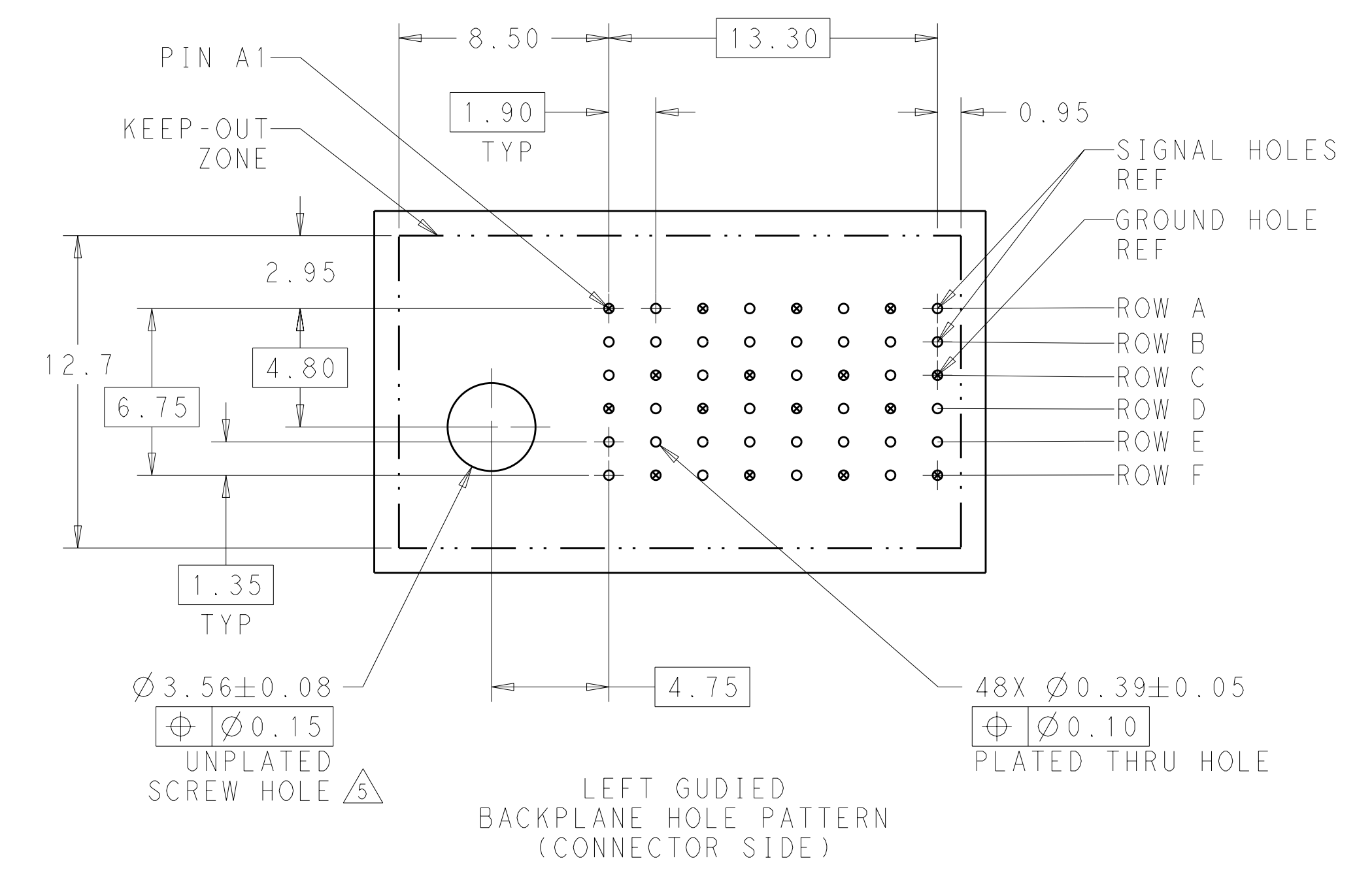


LOC	DIST	REV	DATE	BY	APPD
AD	00	B	10JAN12	KH	DY
REVISIONS			DESCRIPTION	DATE	DWN
			REVISED PER ECO-11-025276	10JAN12	KH



- 1 MATERIAL:  
HOUSING: LCP, GLASS FILLED, UL94V-0.  
TERMINALS: HIGH PERFORMANCE COPPER ALLOY.
- 2 FINISH:  
30μ" MIN GOLD IN CONTACT AREA. SELECTIVE TIN  
ON PCB TAILS, NICKEL OVERALL.
- 3 FINISH:  
30μ" MIN GOLD IN CONTACT AREA. SELECTIVE TIN-LEAD  
ON PCB TAILS, NICKEL OVERALL.
- 4. SCREWS PACKAGED IN END OF PACKAGING TUBE.
- 5 FOR GROUNDED GUIDE PIN USE  $\varnothing 3.56 \pm 0.08$  PTH,  
 $\varnothing 3.66$  DRILL, AND  $\varnothing 6.5$  PAD.




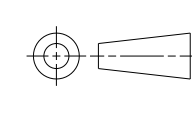
THIS DRAWING IS A CONTROLLED DOCUMENT.		DWN 27APR2011	TE Connectivity
DIMENSIONS: mm		CHK J. EBY 27APR2011	
TOLERANCES UNLESS OTHERWISE SPECIFIED:		APVD J. EBY 27APR2011	NAME
Ø	9 PLC ±	PRODUCT SPEC	IMPACT, 2 PAIR, 8 COLUMN, HEADER
PLC	1 PLC ±0.25	APPLICATION SPEC	LEFT GUIDED, OPEN END WALL
PLC	2 PLC ±0.13	WEIGHT	SIGNAL MODULE, 0.39 PTH
PLC	3 PLC ±	SIZE CAGE CODE DRAWING NO	A100779C=2057721
PLC	4 PLC ±	RESTRICTED TO	
ANGLES	±	CUSTOMER DRAWING	SCALE 6:1 SHEET 1 OF 2 REV B
FINISH	SEE TABLE		

THIS DRAWING IS UNPUBLISHED. RELEASED FOR PUBLICATION 20  
 © COPYRIGHT 20 . . . ALL RIGHTS RESERVED.

LOC	DIST	REVISIONS				
AD	00	P	LTG	DATE	DWN	APVD
-	-	-	-	SEE SHEET 1	-	-

FINISH	DIM M	PART NUMBER
$\triangle_3$	5.5	2057721-6
$\triangle_3$	4.9	2057721-5
$\triangle_3$	4.5	2057721-4
$\triangle_2$	5.5	2057721-3
$\triangle_2$	4.9	2057721-2
$\triangle_2$	4.5	2057721-1

REFER TO WWW.TE.COM  
 FOR PRODUCT AVAILABILITY

THIS DRAWING IS A CONTROLLED DOCUMENT.		DWN	27APR2011	 TE Connectivity
DIMENSIONS:		CHK	27APR2011	
mm	TOLERANCES UNLESS OTHERWISE SPECIFIED:	APVD	J. EABY 27APR2011	NAME
	0 PLC ±	PRODUCT SPEC		IMPACT, 2 PAIR, 8 COLUMN, HEADER LEFT GUIDED, OPEN END WALL SIGNAL MODULE, 0.39 PTH
	1 PLC ±0.25	APPLICATION SPEC		SIZE CAGE CODE DRAWING NO RESTRICTED TO
	2 PLC ±0.13	WEIGHT		A100779C=2057721
	3 PLC ±	CUSTOMER DRAWING		SCALE 5:1 SHEET 2 OF 2 REV B
	4 PLC ±			
	ANGLES ±			
MATERIAL	FINISH			
-	SEE TABLE			