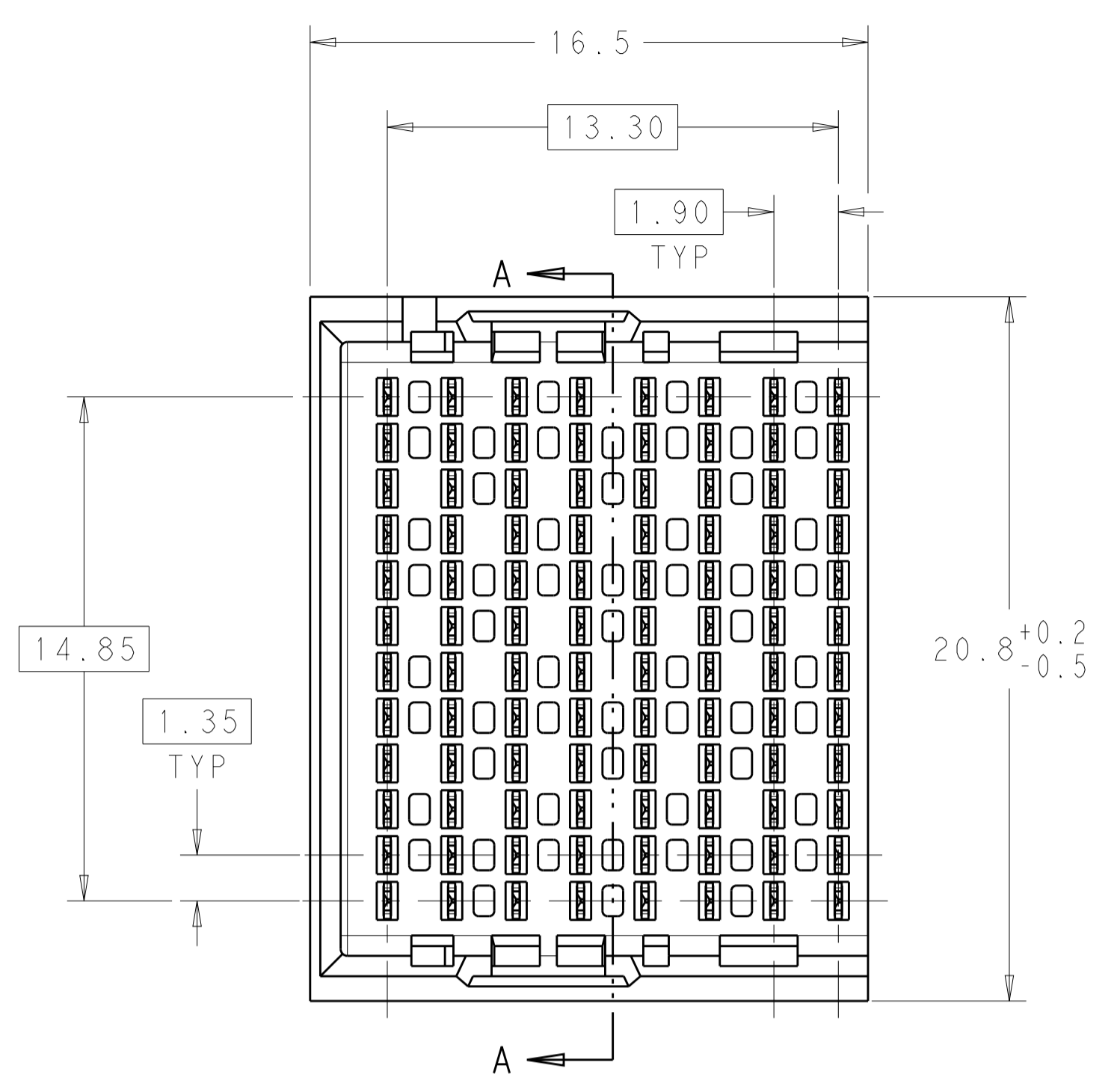
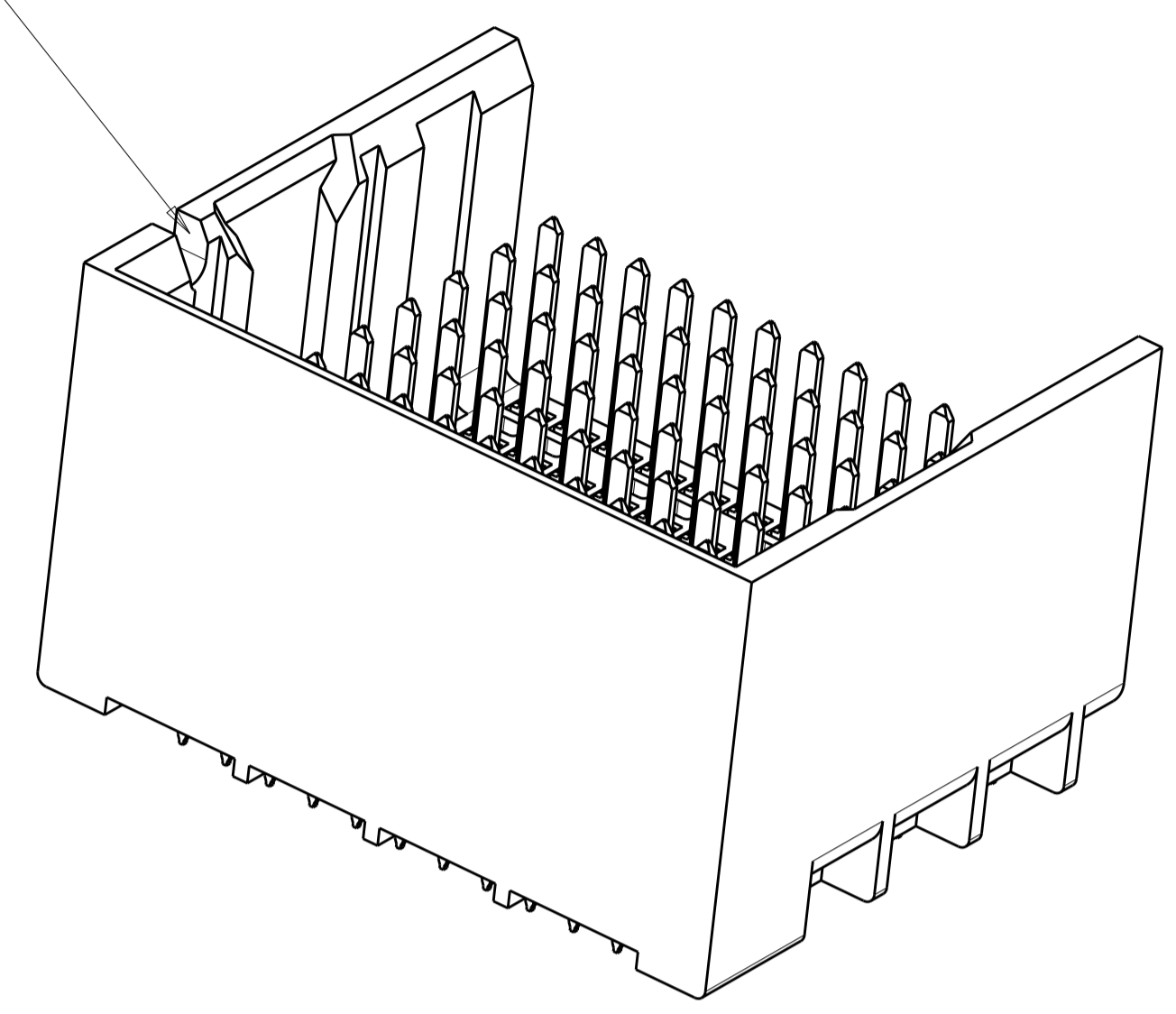


LOC		DIST		REVISIONS			
AD	00	P	LTN	DESCRIPTION	DATE	DWN	APVD
		A1		REVISED PER ECO-15-003239	24MAR2015	AP	DD

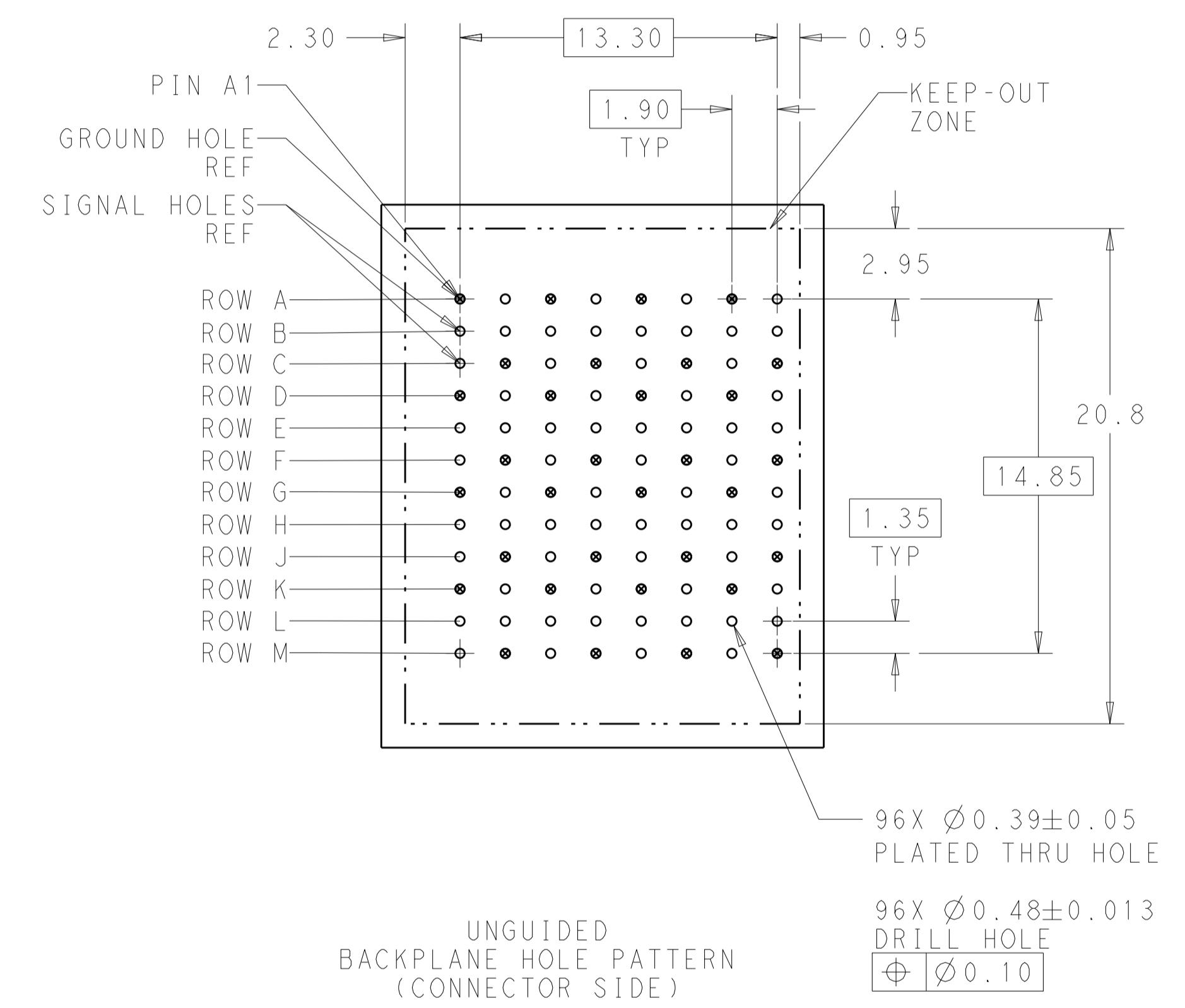


NOTCH DESIGNATES ROW A

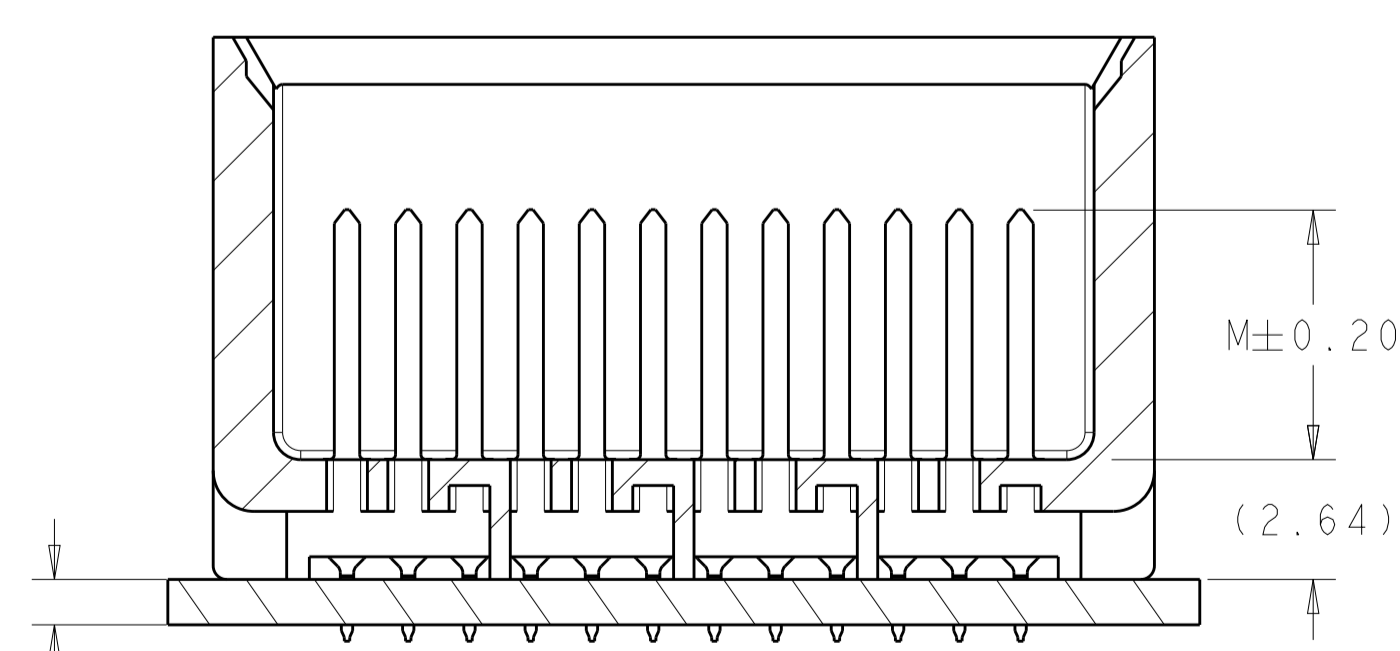
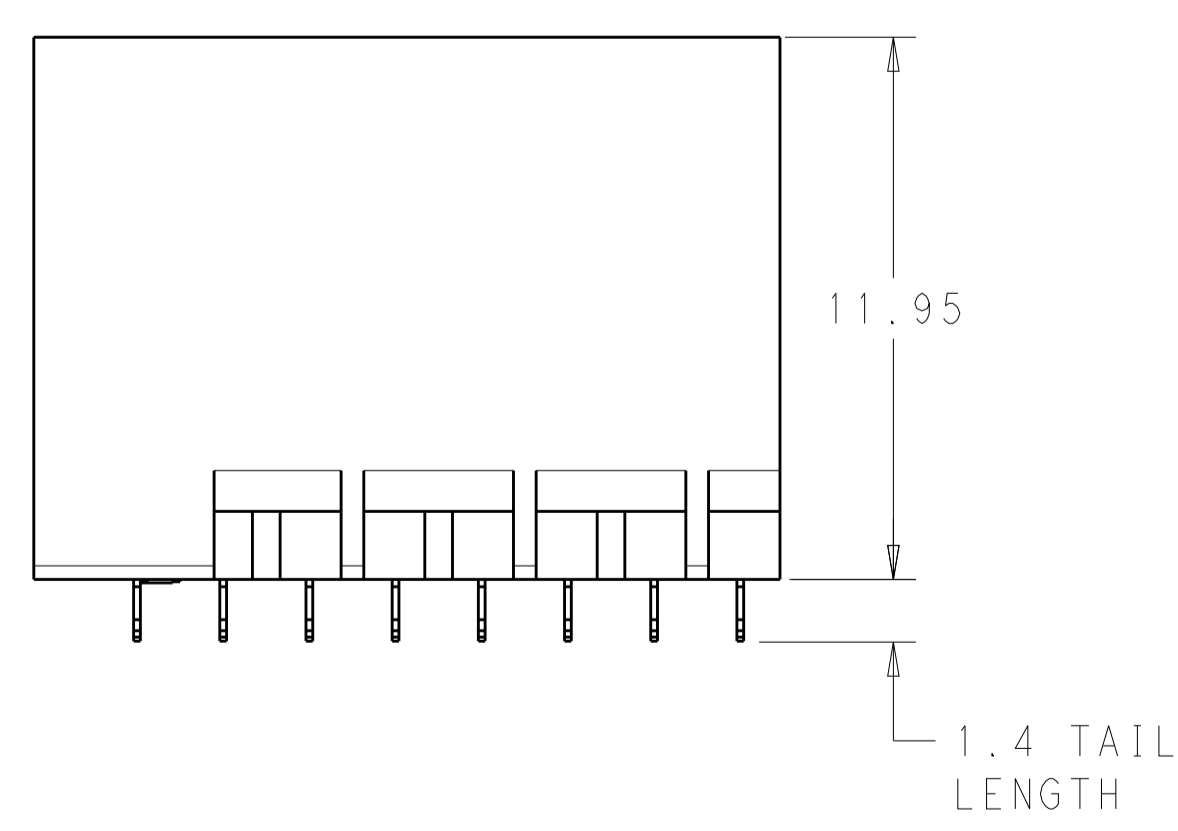


⚠ MATERIAL:
HOUSING: LCP, GLASS FILLED, UL94V-0.
TERMINALS: HIGH PERFORMANCE COPPER ALLOY.

⚠ FINISH:
30μ" MIN GOLD IN CONTACT AREA. SELECTIVE TIN ON PCB TAILS, NICKEL OVERALL.



UNGUIDED BACKPLANE HOLE PATTERN (CONNECTOR SIDE)



SECTION A-A

1.00 MINIMUM BOARD THICKNESS

THIS DRAWING IS A CONTROLLED DOCUMENT.		DWN: KIRAN HOLAL 10JAN2013	TE Connectivity
DIMENSIONS: mm		CHK: D. DIXON 10JAN2013	
TOLERANCES UNLESS OTHERWISE SPECIFIED:		APVD: D. DIXON 10JAN2013	NAME: IMPACT, 4 PAIR, 8 COLUMN, HEADER UNGUIDED, LEFT END WALL SIGNAL MODULE, 0.39 PTH
0 PLC ±0.25	1 PLC ±0.13	PRODUCT SPEC	SIZE: A1
2 PLC ±0.13	3 PLC ±0.13	APPLICATION SPEC	CAGE CODE: 2057447
4 PLC ±0.13	ANGLES ±0.13	WEIGHT	RESTRICTED TO
MATERIAL: SEE TABLE	FINISH: SEE TABLE	Customer Drawing	SCALE: 6:1 SHEET 1 OF 2 REV: A1

THIS DRAWING IS UNPUBLISHED.	RELEASED FOR PUBLICATION	20
© COPYRIGHT 20	BY -	ALL RIGHTS RESERVED.

LOC	DIST	REVISIONS					
		P	LTN	DESCRIPTION	DATE	DWN	APVD
AD	00	-	-	SEE SHEET 1	-	-	-

	5.5	2057447-3
	4.9	2057447-2
	4.5	2057447-1
FINISH	DIM M	PART NUMBER

REFER TO WWW.TE.COM
FOR PRODUCT AVAILABILITY

THIS DRAWING IS A CONTROLLED DOCUMENT.		CHK KIRAN HOLAL	10JAN2013		TE Connectivity
DIMENSIONS:		CHK D. DIXON	10JAN2013		
mm	TOLERANCES UNLESS OTHERWISE SPECIFIED:	APVD D. DIXON	10JAN2013	NAME IMPACT, 4 PAIR, 8 COLUMN, HEADER	
	0 PLC ±	PRODUCT SPEC		UNGUIDED, LEFT END WALL	
	1 PLC ±0.25	APPLICATION SPEC		SIGNAL MODULE, 0.39 PTH	
	2 PLC ±0.13	RESTRICTED TO		SIZE	CAGE CODE
	3 PLC ±	Customer Drawing		A1	00779
	4 PLC ±	SCALE	5:1	DRAWING NO	C=2057447
	ANGLES ±	WEIGHT	-	SHEET	2
MATERIAL	FINISH	Customer Drawing		OF	2
-	SEE TABLE	SCALE	5:1	REV	A1
		Customer Drawing			