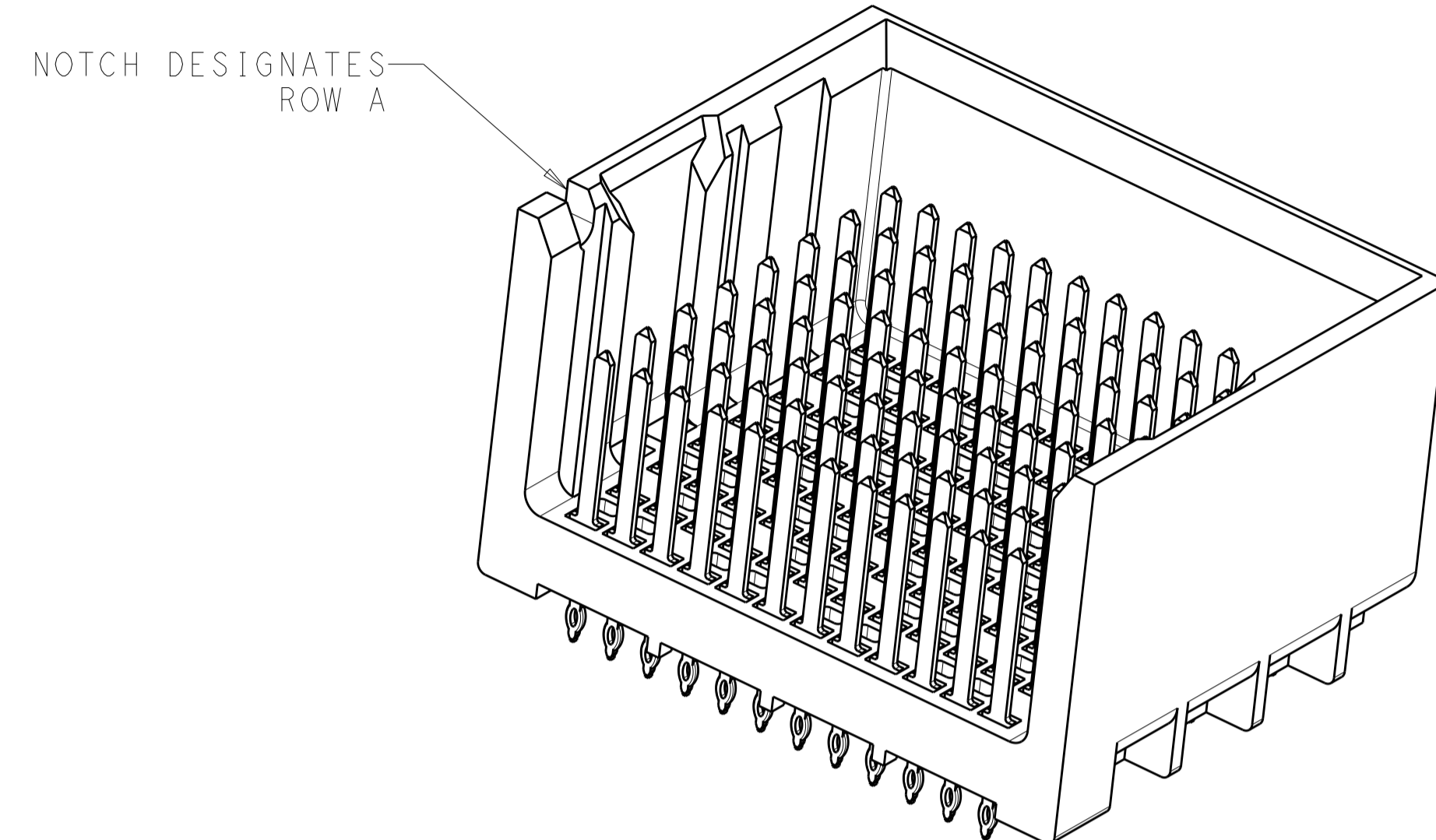
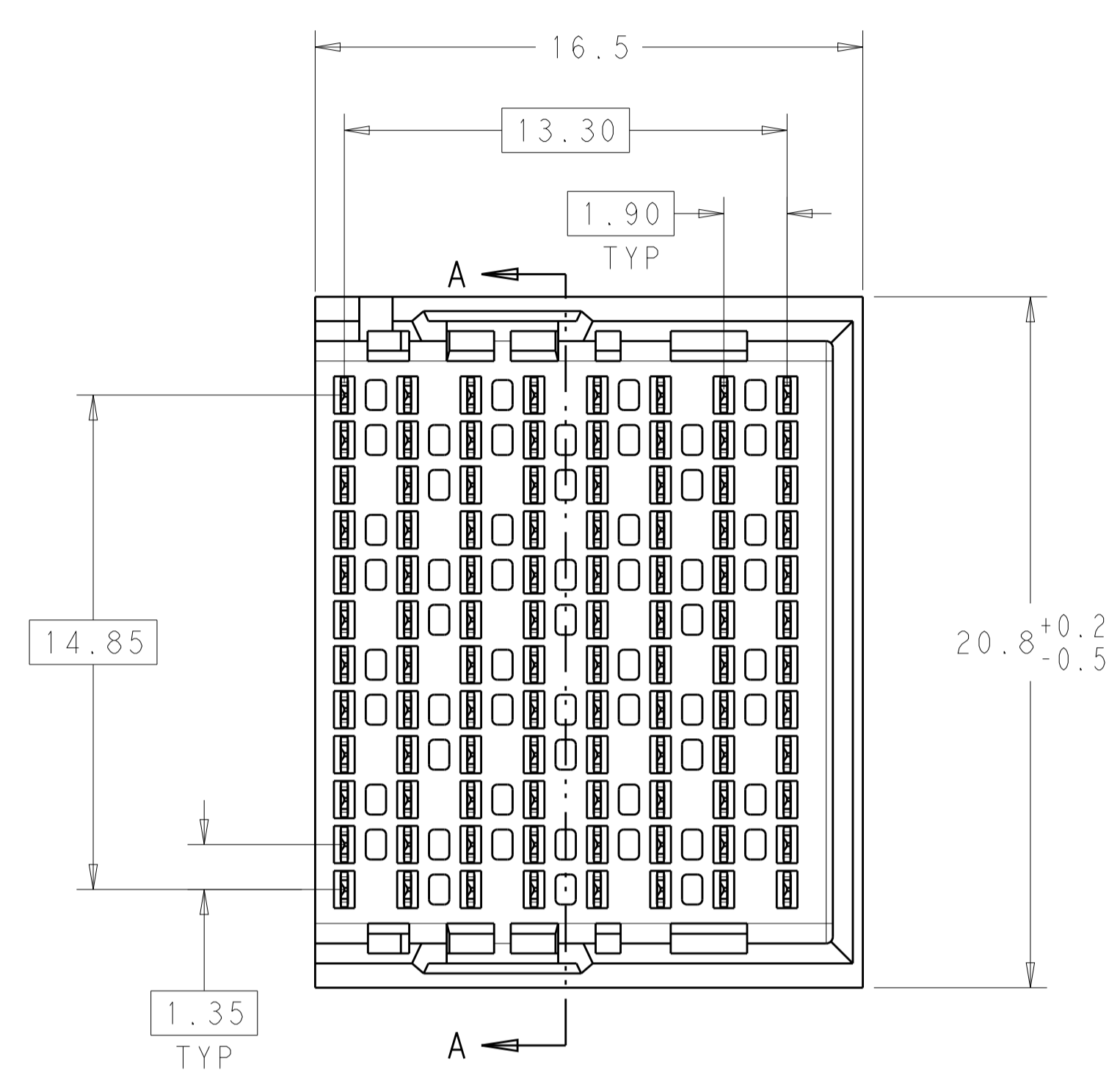
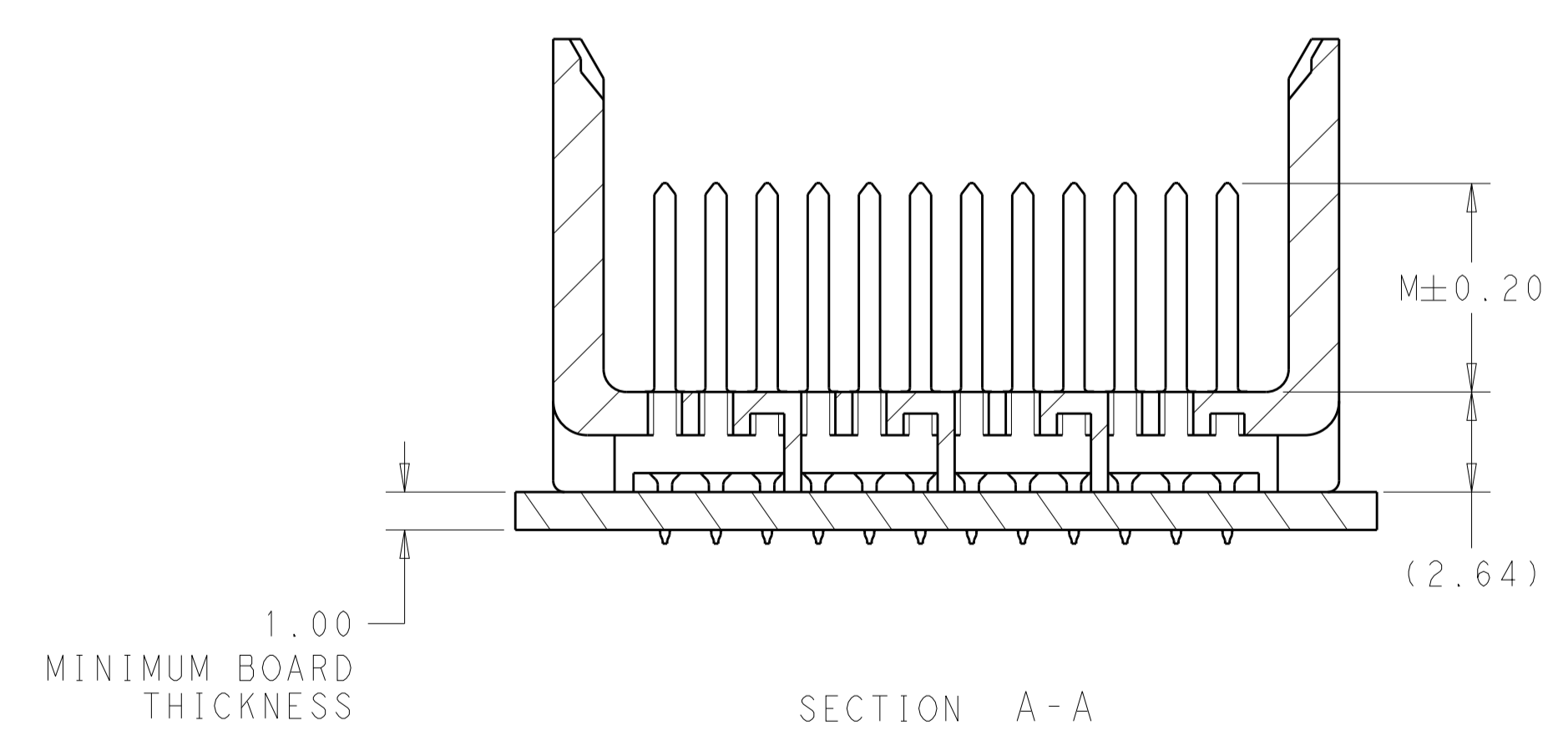
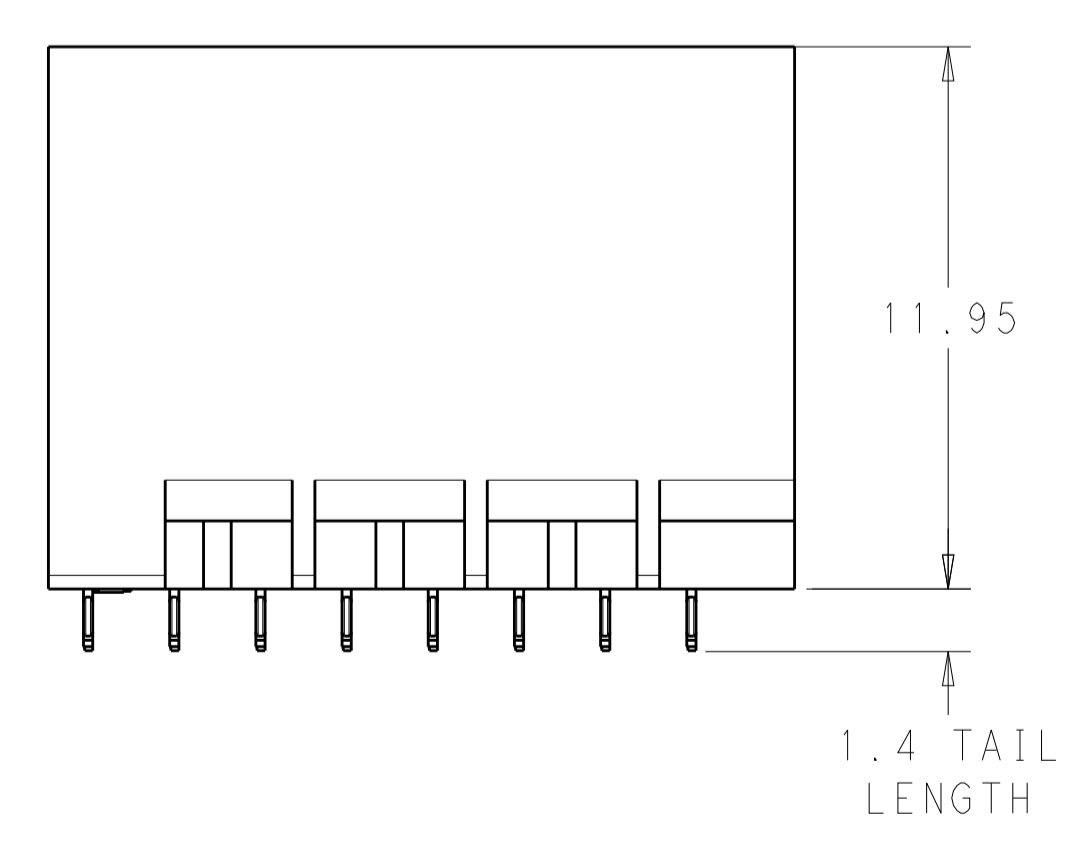
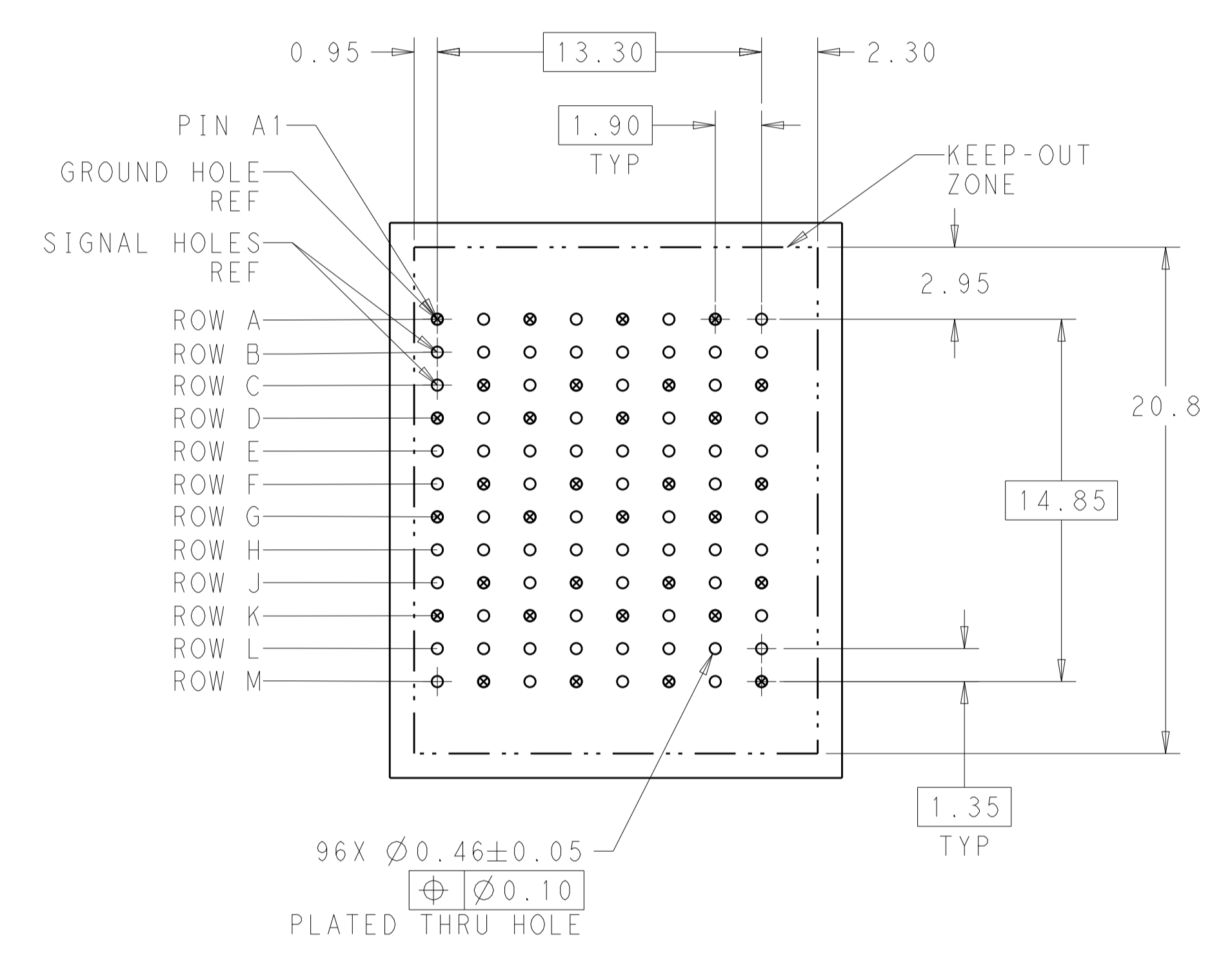


LOC		DIST		REVISIONS			
P	LTN	DESCRIPTION	DATE	DWN	APVD		
A1		REVISED PER ECO-15-001494	06FEB2015	AP	DD		



△ MATERIAL:
 HOUSING: LCP, GLASS FILLED, UL94V-0.
 TERMINALS: HIGH PERFORMANCE COPPER ALLOY.
 △ FINISH:
 30μ" MIN GOLD IN CONTACT AREA. SELECTIVE TIN
 ON PCB TAILS, NICKEL OVERALL.



UNGUIDED
 BACKPLANE HOLE PATTERN
 (CONNECTOR SIDE)

THIS DRAWING IS A CONTROLLED DOCUMENT.		DWN	03OCT2011	STE TE Connectivity
DIMENSIONS:		CHK	03OCT2011	
mm	TOLERANCES UNLESS OTHERWISE SPECIFIED:	APVD	03OCT2011	NAME IMPACT, 4 PAIR, 8 COLUMN, HEADER UNGUIDED, RIGHT END WALL SIGNAL MODULE, 0.46 PTH
0 PLC ±	1 PLC ±0.25	PRODUCT SPEC		
2 PLC ±0.13	3 PLC ±	APPLICATION SPEC		SIZE CAGE CODE DRAWING NO RESTRICTED TO
4 PLC ±	ANGLES ±	WEIGHT		A100779C=2057445
MATERIAL	FINISH SEE TABLE	CUSTOMER DRAWING	SCALE 6:1	SHEET 1 OF 2

THIS DRAWING IS UNPUBLISHED. RELEASED FOR PUBLICATION 20
 © COPYRIGHT 20 BY - ALL RIGHTS RESERVED.

LOC		DIST		REVISIONS			
P	LTN	DESCRIPTION	DATE	DWN	APVD		
-	-	SEE SHEET 1	-	-	-	-	-

	5.5	2057445-3
	4.9	2057445-2
	4.5	2057445-1
FINISH	DIM M	PART NUMBER

REFER TO WWW.TE.COM
FOR PRODUCT AVAILABILITY

THIS DRAWING IS A CONTROLLED DOCUMENT.		DWN	03OCT2011		
DIMENSIONS:		CHK	03OCT2011		
mm		J. EARY	03OCT2011		
TOLERANCES UNLESS OTHERWISE SPECIFIED:		APVD	J. EARY	03OCT2011	NAME
0 PLC	±	PRODUCT SPEC		IMPACT, 4 PAIR, 8 COLUMN, HEADER	
1 PLC	±0.25	APPLICATION SPEC		UNGUIDED, RIGHT END WALL	
2 PLC	±0.13	WEIGHT		SIGNAL MODULE, 0.46 PTH	
3 PLC	±	MATERIAL		SIZE CAGE CODE DRAWING NO RESTRICTED TO	
4 PLC	±	FINISH		A100779C=2057445	
ANGLES	±	CUSTOMER DRAWING		SCALE 5:1 SHEET 2 OF 2 REV A1	