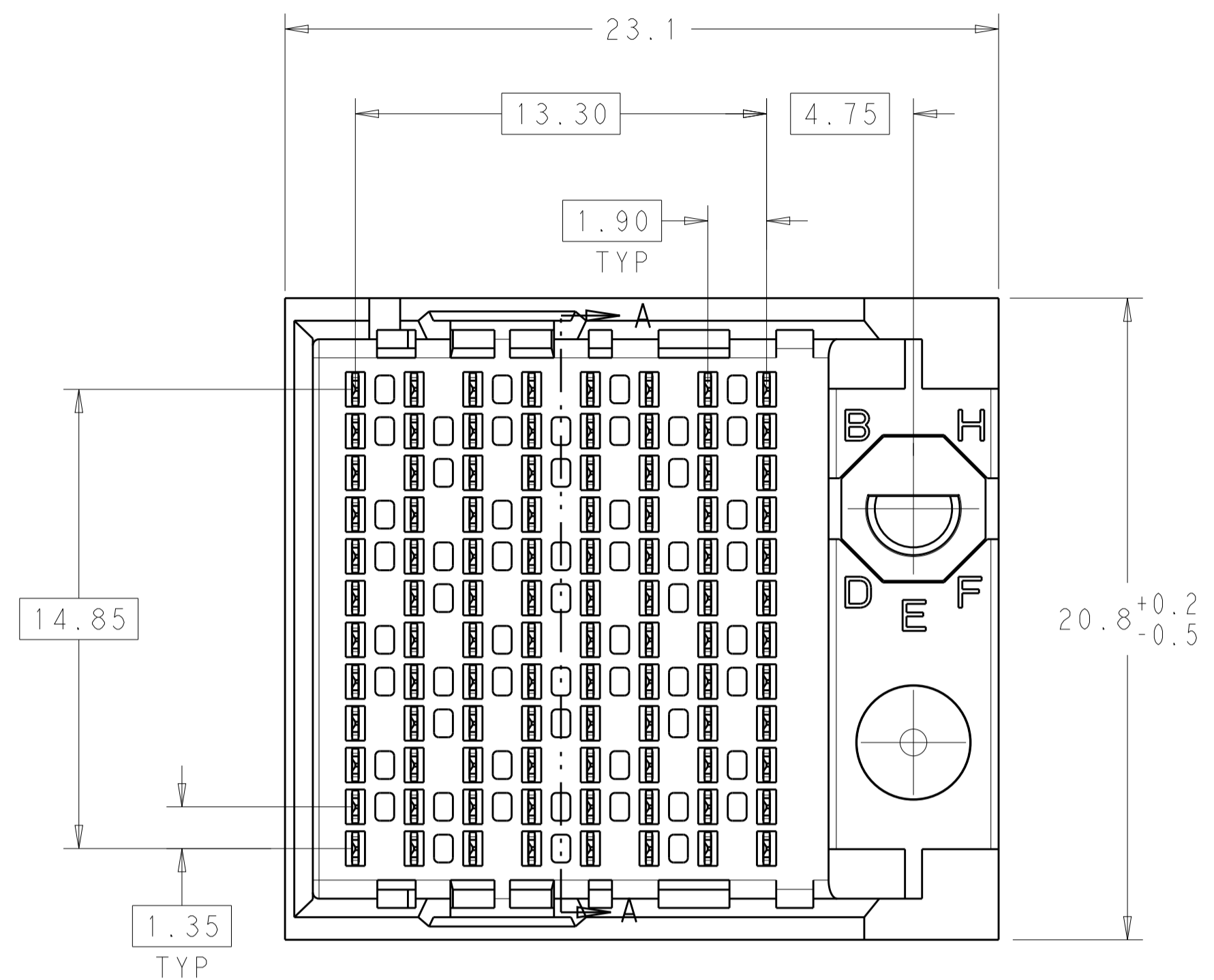
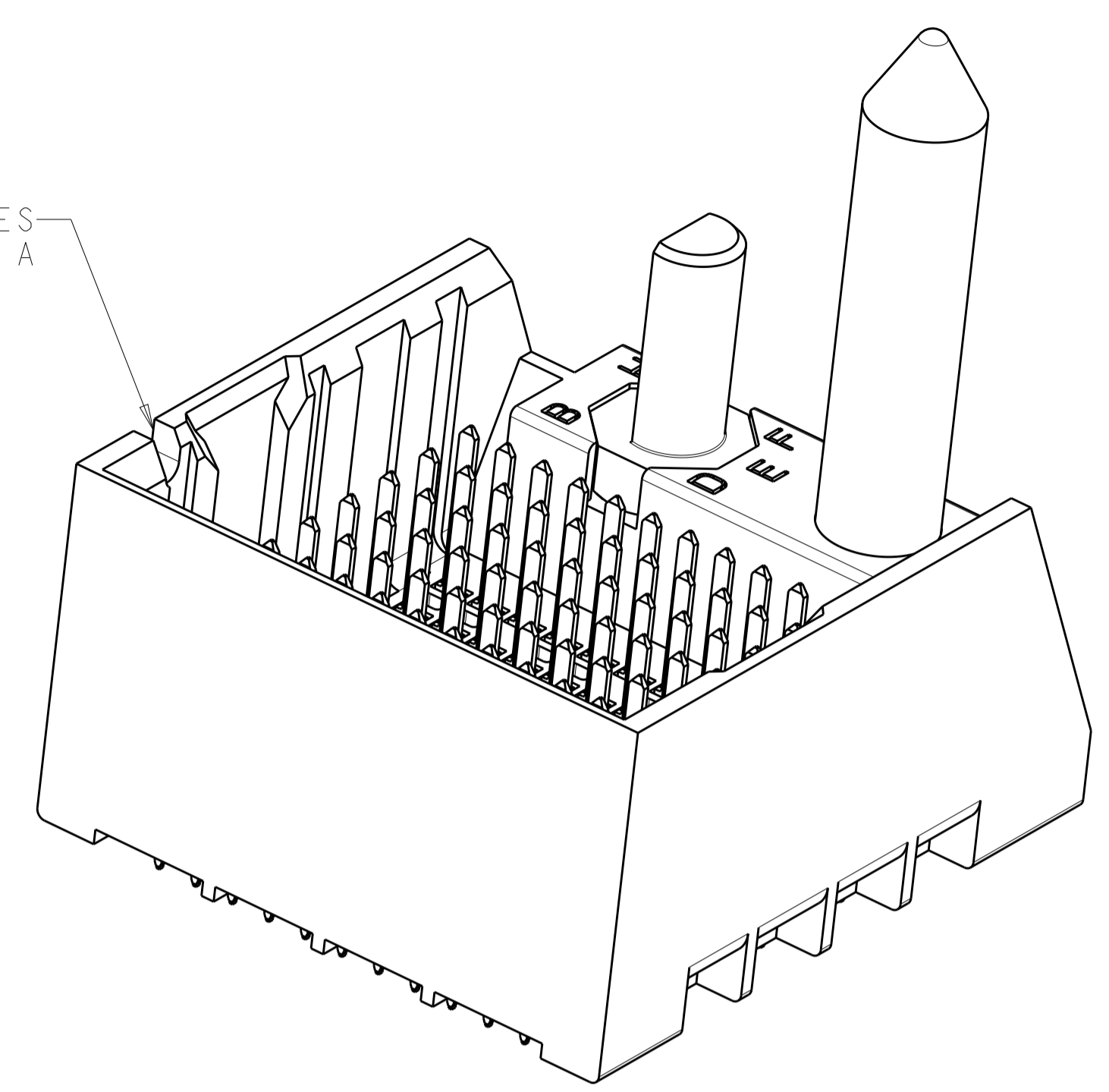


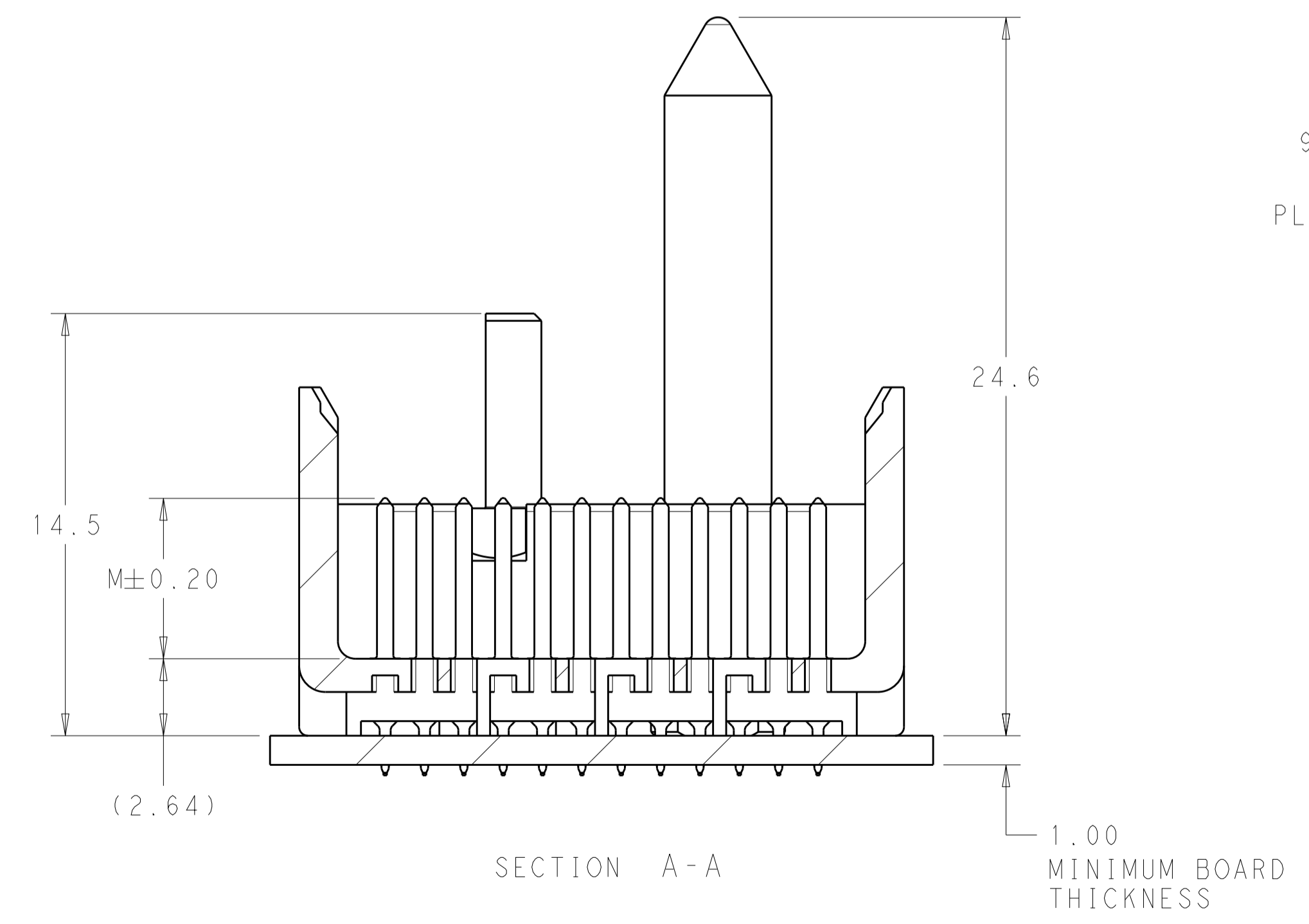
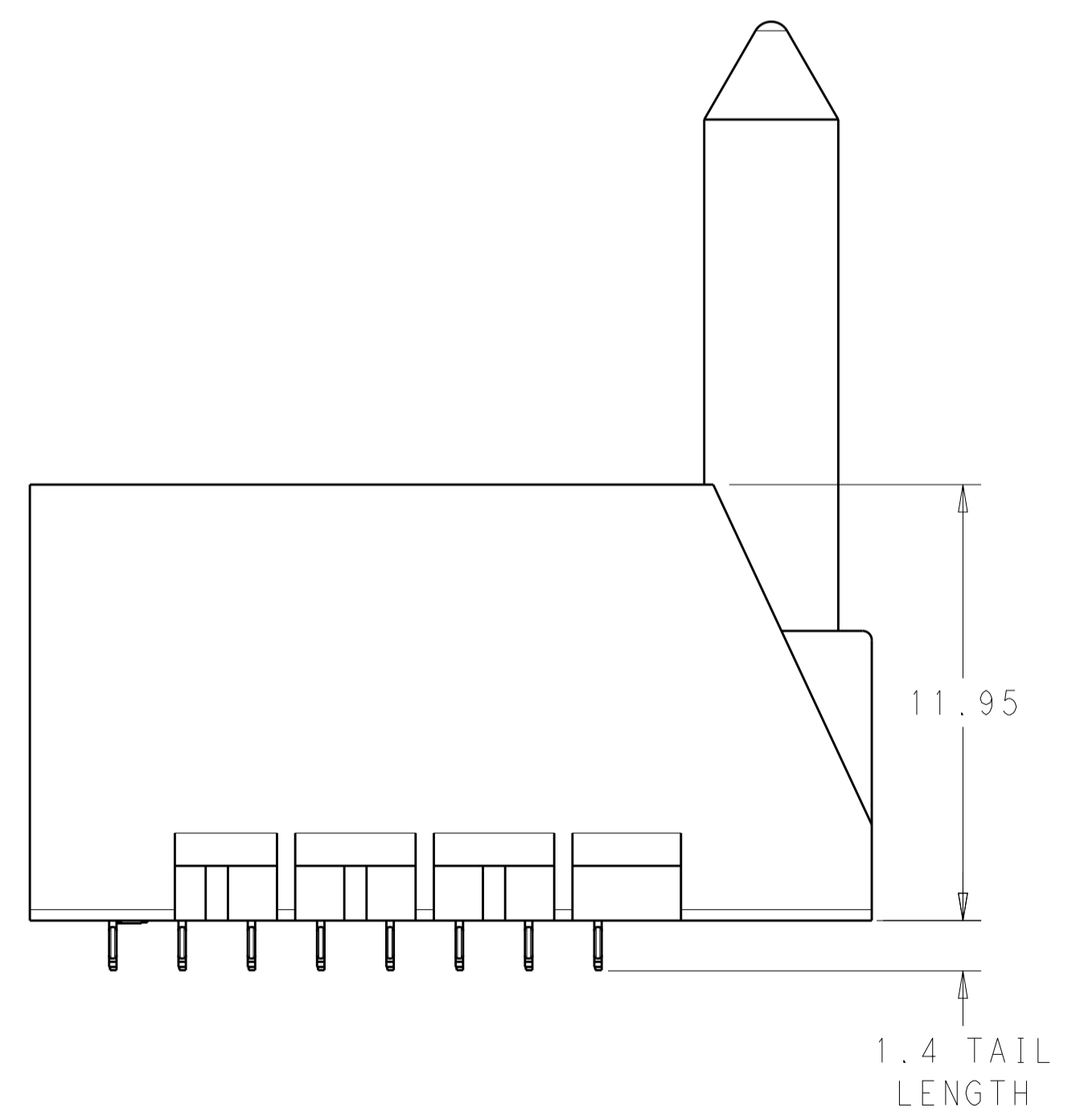
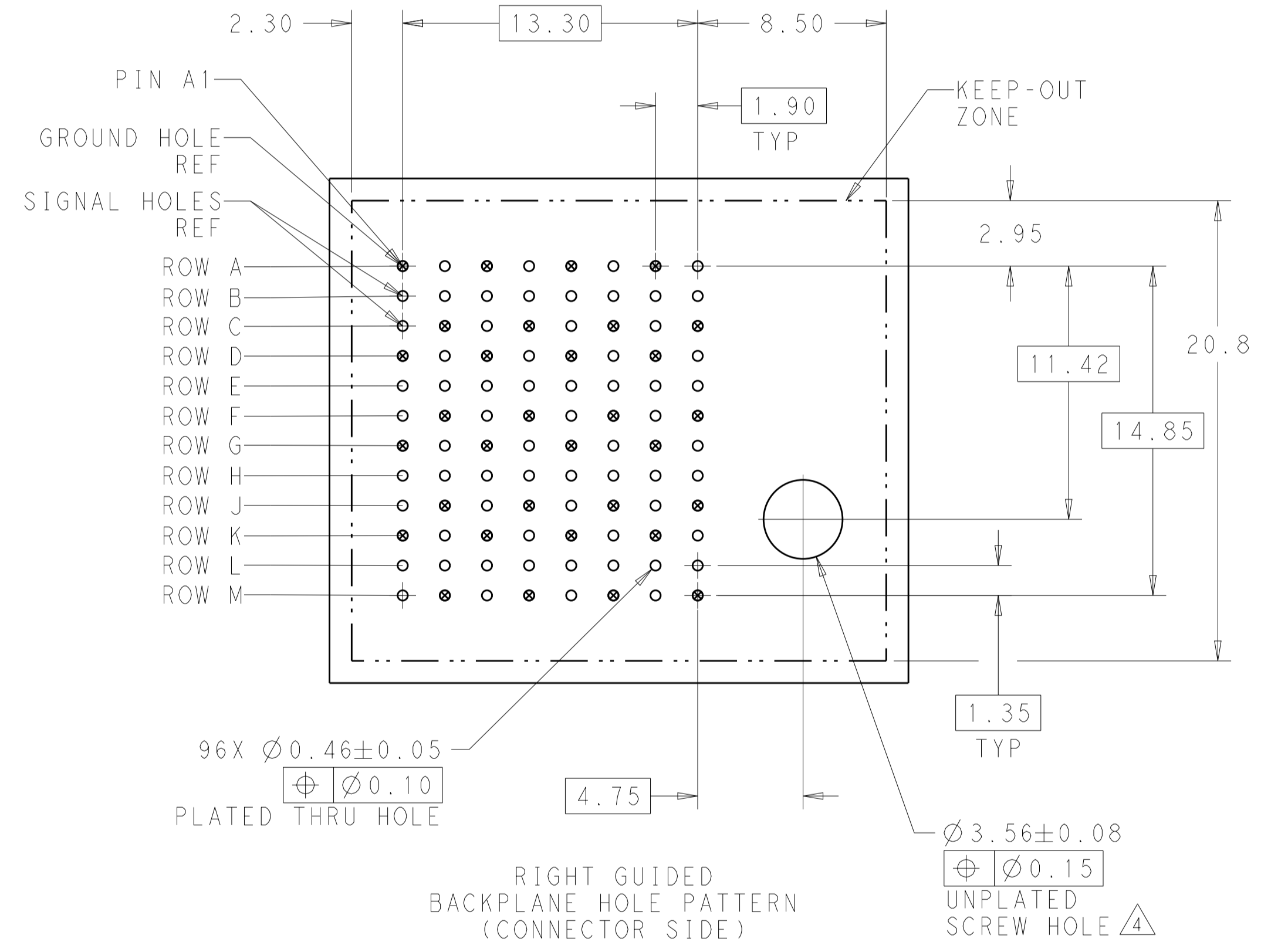
LOC		DIST		REVISIONS			
P	LTN	DATE	DWN	APVD			
A1		REVISED PER ECO-15-001494	05FEB2015	AP	DD		



NOTCH DESIGNATES ROW A



- △ MATERIAL:
HOUSING: LCP, GLASS FILLED, UL94V-0.
TERMINALS: HIGH PERFORMANCE COPPER ALLOY.
- △ FINISH:
30μ" MIN GOLD IN CONTACT AREA. SELECTIVE TIN ON PCB TAILS, NICKEL OVERALL.
- 3. SCREWS PACKAGED IN END OF PACKAGING TUBE.
- △ FOR GROUNDED GUIDE PIN USE Ø3.56±0.08 PTH, Ø3.66 DRILL, AND Ø6.5 PAD.
- 5. KEYING PIN SHOWN IN POSITION A, SEE KEYING CHART ON SHEET 2 FOR OTHER POSITIONS.

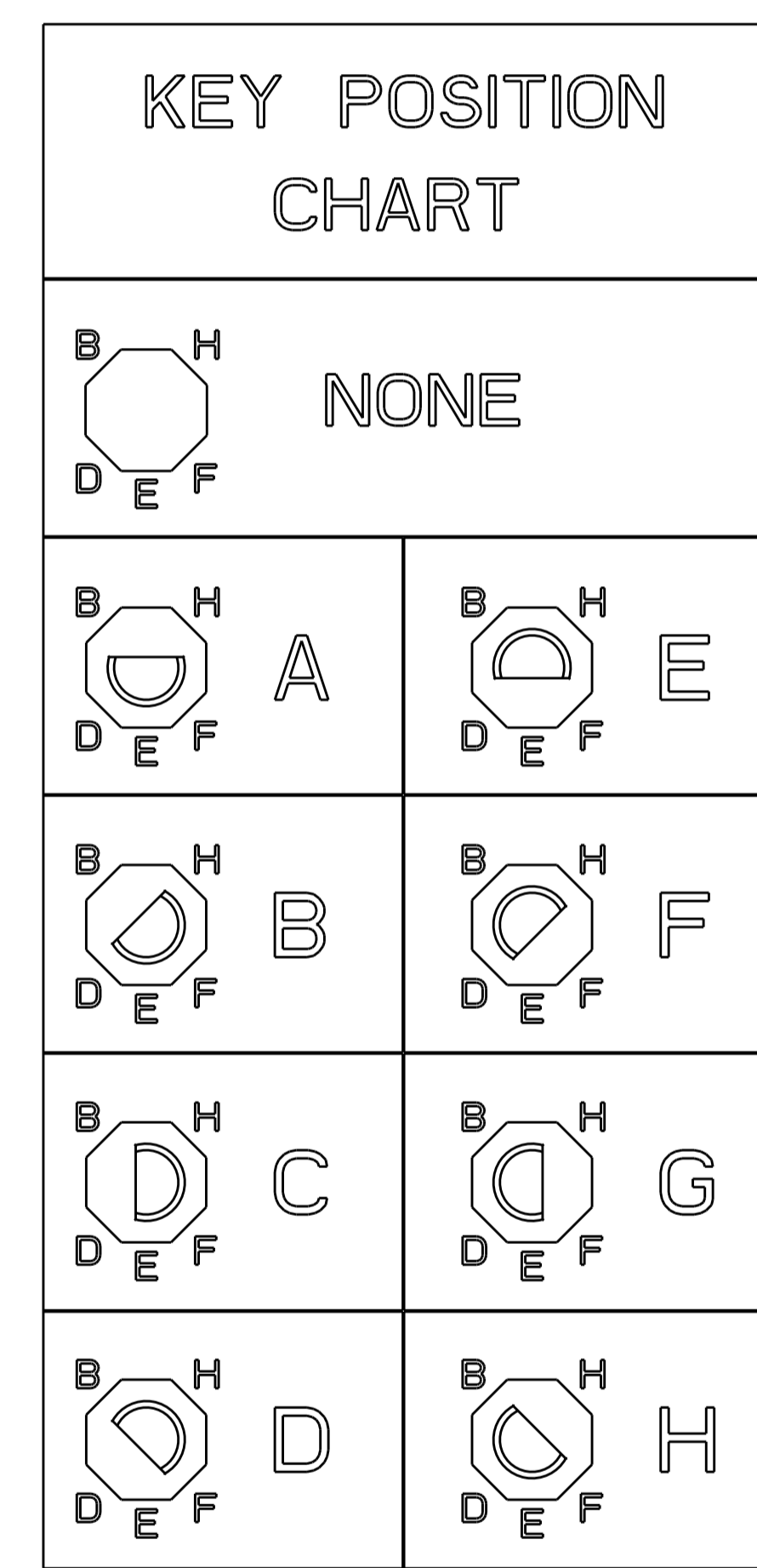


THIS DRAWING IS A CONTROLLED DOCUMENT.		DWN: R. GRZYBOWSKI 03OCT2011	TE Connectivity
DIMENSIONS: mm		CHK: J. EARY 03OCT2011	
TOLERANCES UNLESS OTHERWISE SPECIFIED:		APVD: J. EARY 03OCT2011	NAME: IMPACT, 4 PAIR, 8 COLUMN, HEADER RIGHT GUIDED, LEFT END WALL SIGNAL MODULE, 0.46 PTH
0 PLC ±0.25		PRODUCT SPEC	
1 PLC ±0.13		APPLICATION SPEC	SIZE: A1 CAGE CODE: 2057440 DRAWING NO: 2057440
2 PLC ±0.13		WEIGHT	
3 PLC ±0.13		CUSTOMER DRAWING	SCALE: 6:1 SHEET 1 OF 2 REV: A1
4 PLC ±0.13			
ANGLES			
FINISH: SEE TABLE			

LOC		DIST		REVISIONS			
AD	00	REV	DATE	DESCRIPTION	DATE	BY	APPV
-	-	-	-	SEE SHEET 1	-	-	-

	H	5.5	8-2057440-3
	H	4.9	8-2057440-2
	H	4.5	8-2057440-1
	G	5.5	7-2057440-3
	G	4.9	7-2057440-2
	G	4.5	7-2057440-1
	F	5.5	6-2057440-3
	F	4.9	6-2057440-2
	F	4.5	6-2057440-1
	E	5.5	5-2057440-3
	E	4.9	5-2057440-2
	E	4.5	5-2057440-1
	D	5.5	4-2057440-3
	D	4.9	4-2057440-2
	D	4.5	4-2057440-1
	C	5.5	3-2057440-3
	C	4.9	3-2057440-2
	C	4.5	3-2057440-1
	B	5.5	2-2057440-3
	B	4.9	2-2057440-2
	B	4.5	2-2057440-1
	A	5.5	1-2057440-3
	A	4.9	1-2057440-2
	A	4.5	1-2057440-1
	-	5.5	2057440-3
	-	4.9	2057440-2
	-	4.5	2057440-1
FINISH	KEY POSITION	DIM M	PART NUMBER

REFER TO WWW.TE.COM
 FOR PRODUCT AVAILABILITY



THIS DRAWING IS A CONTROLLED DOCUMENT.		DWN R. GRZYBOWSKI 03OCT2011	TE Connectivity
DIMENSIONS: mm		CHK J. EARY 03OCT2011	
TOLERANCES UNLESS OTHERWISE SPECIFIED:		APVD J. EARY 03OCT2011	NAME: IMPACT, 4 PAIR, 8 COLUMN, HEADER RIGHT GUIDED, LEFT END WALL SIGNAL MODULE, 0.46 PTH
0 PLC ±0.25 2 PLC ±0.13 3 PLC ± 4 PLC ±		PRODUCT SPEC	
ANGLES		APPLICATION SPEC	SIZE: CAGE CODE DRAWING NO. RESTRICTED TO
MATERIAL: SEE TABLE		WEIGHT: -	A100779C=2057440
FINISH: SEE TABLE		CUSTOMER DRAWING	SCALE: 5:1 SHEET 2 OF 2 REV: A1