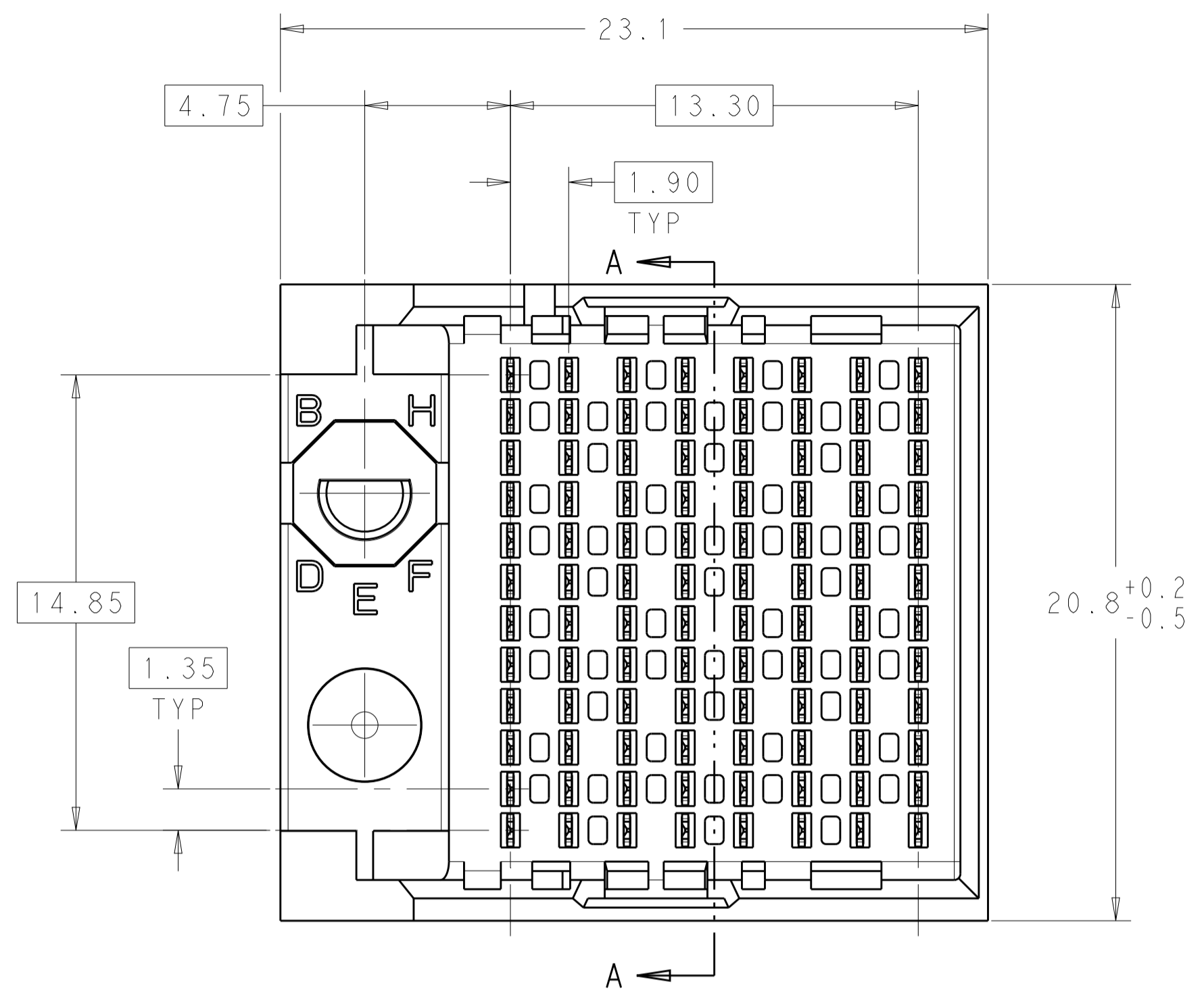
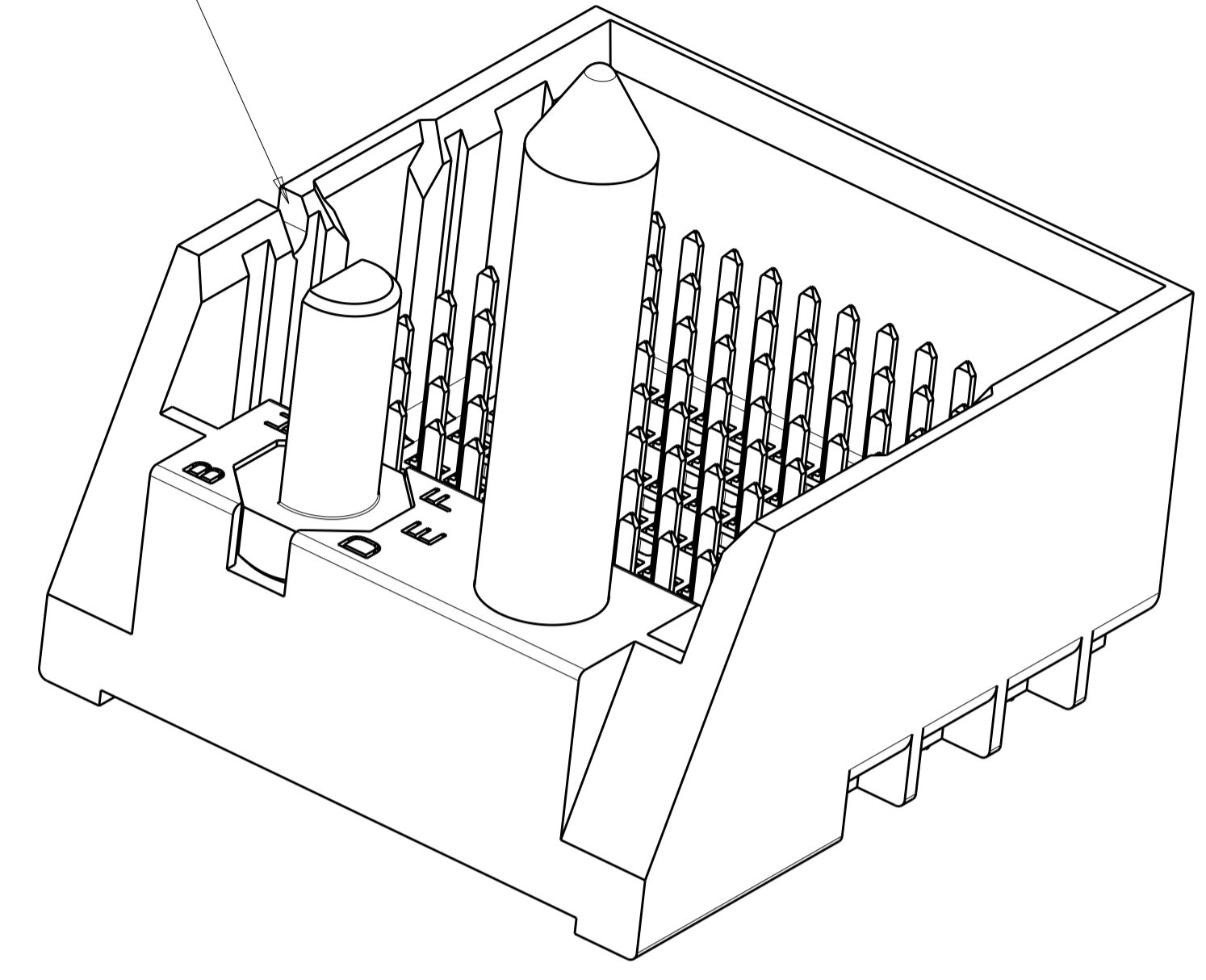


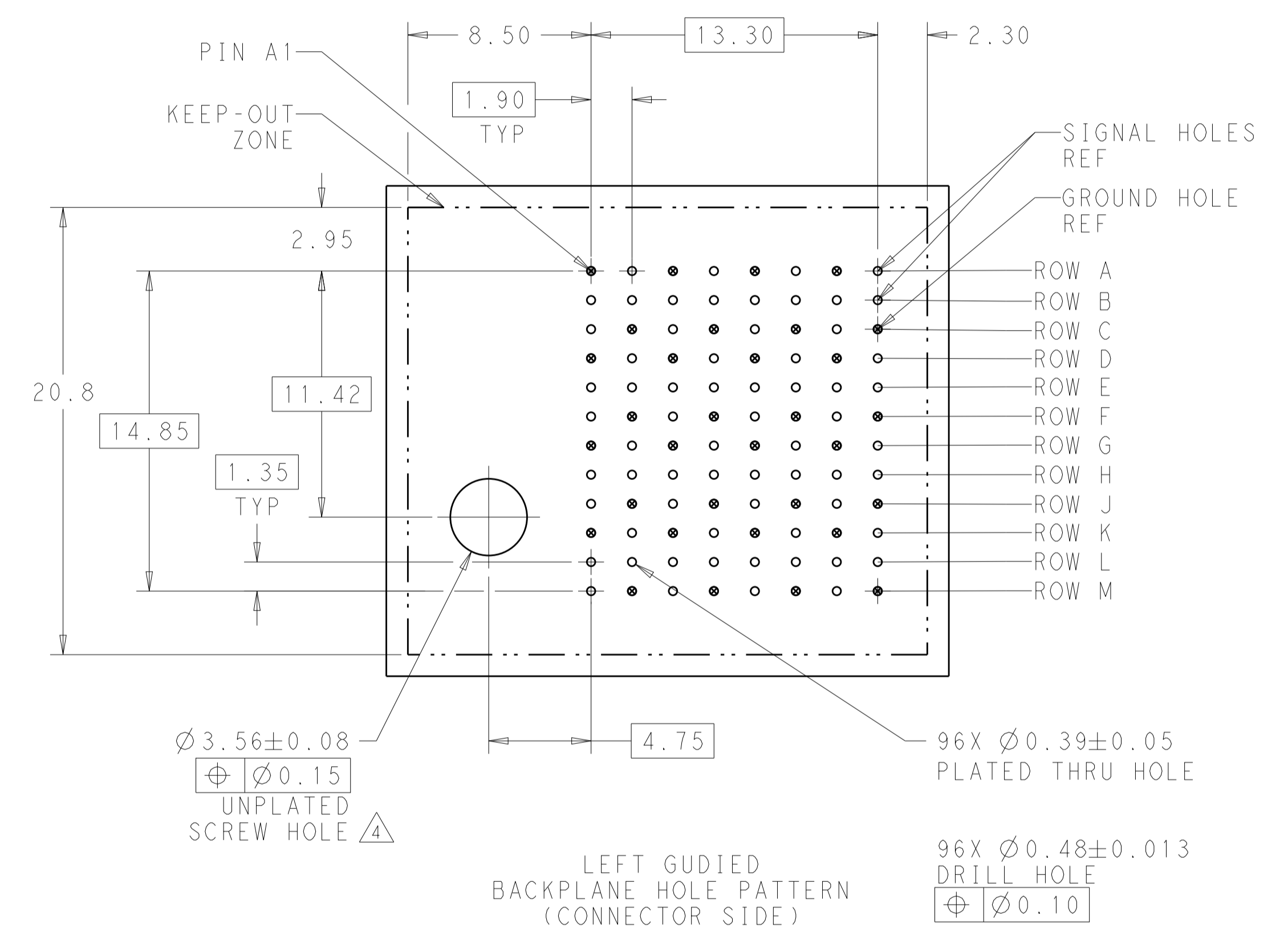
| LOC | DIST | REVISIONS | | | |
|-----|------|---------------------------|-----------|-----|------|
| P | LTN | DESCRIPTION | DATE | DWN | APVD |
| A | | REVISED PER ECO-15-001494 | 05FEB2015 | AP | DD |



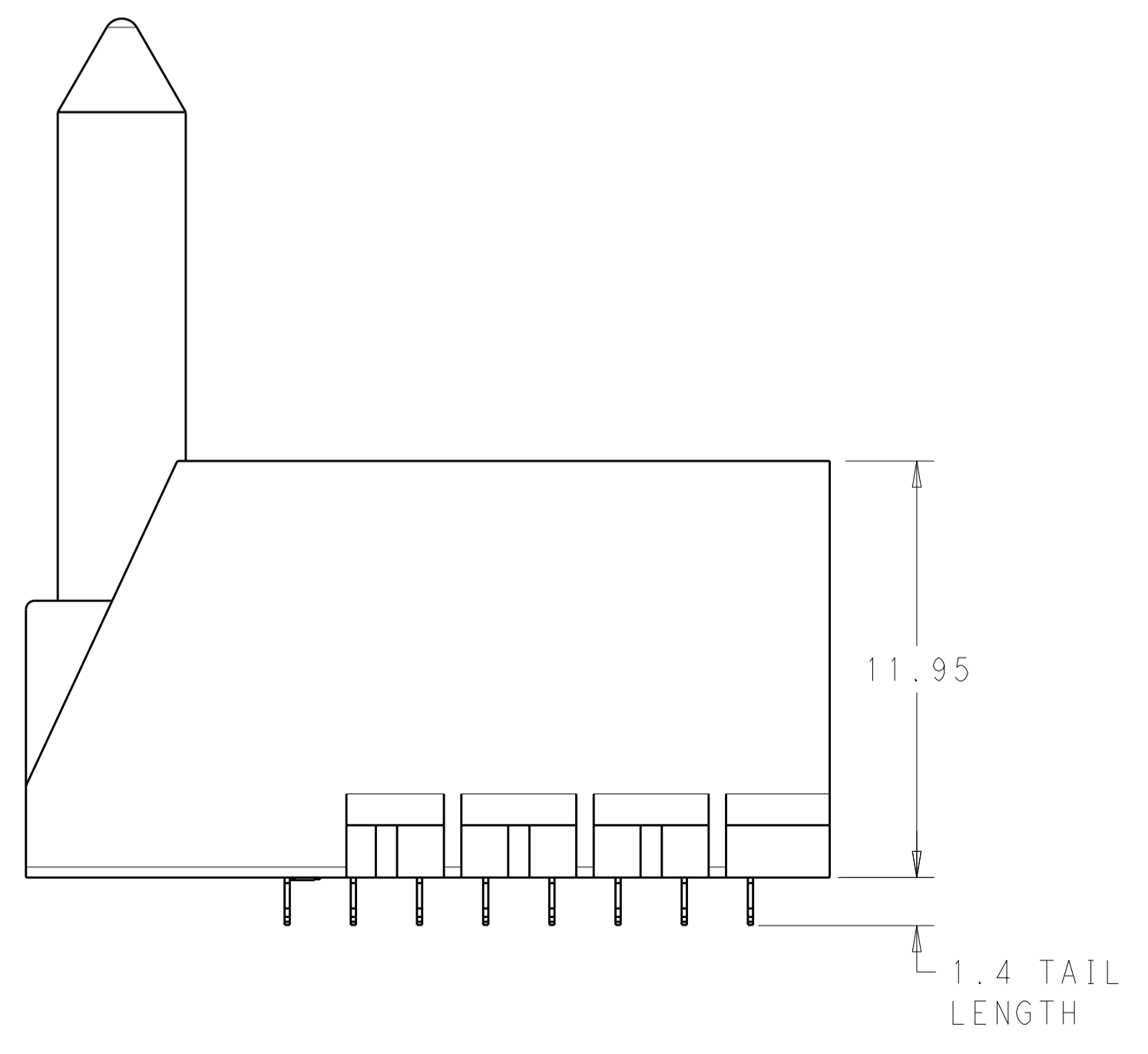
NOTCH DESIGNATES ROW A



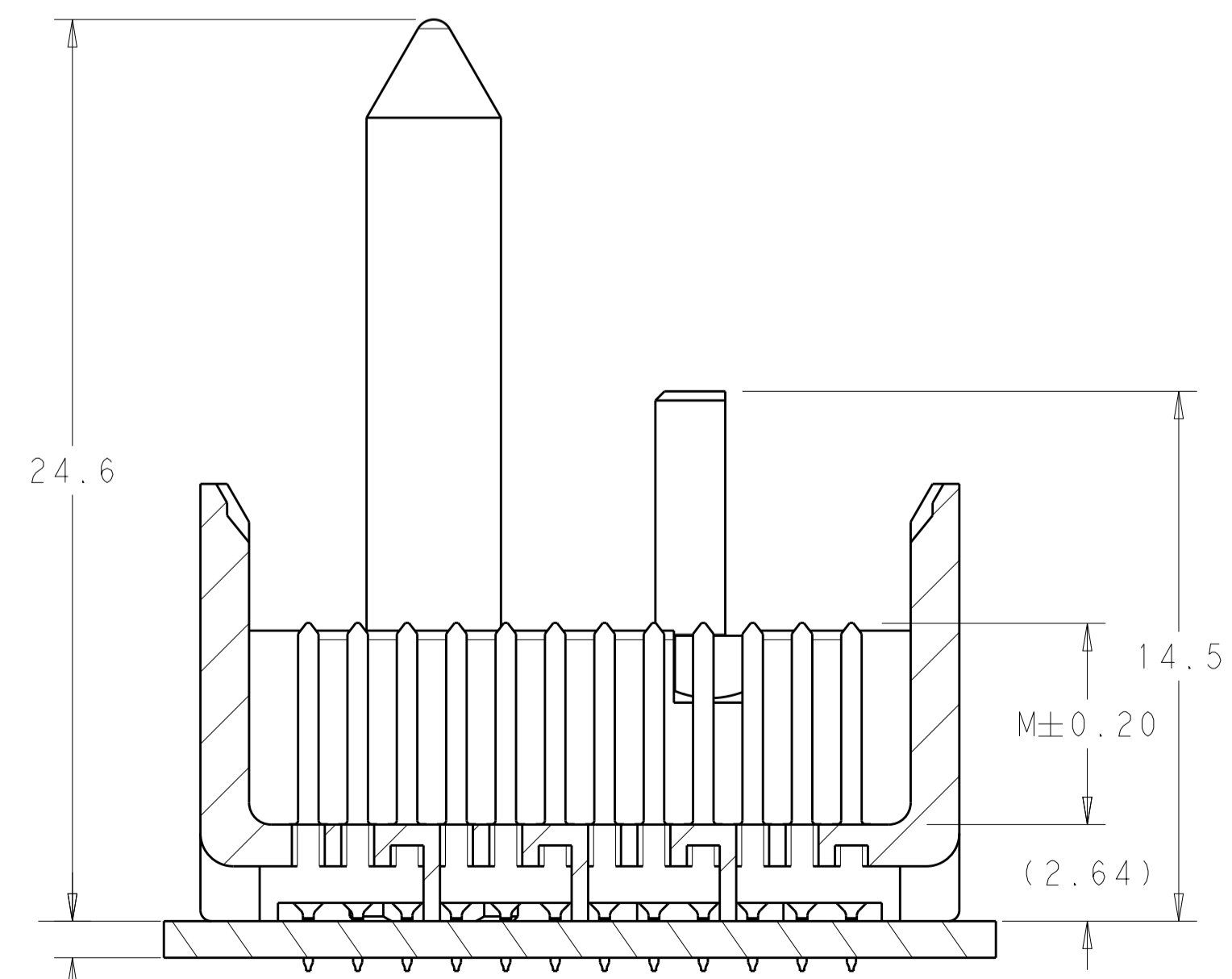
- 1. MATERIAL:
HOUSING: LCP, GLASS FILLED, UL94V-0.
TERMINALS: HIGH PERFORMANCE COPPER ALLOY.
- 2. FINISH:
30µ" MIN GOLD IN CONTACT AREA. SELECTIVE TIN ON PCB TAILS, NICKEL OVERALL.
- 3. SCREWS PACKAGED IN END OF PACKAGING TUBE.
- 4. FOR GROUNDED GUIDE PIN USE Ø3.56±0.08 PTH, Ø3.66 DRILL, AND Ø6.5 PAD.
- 5. KEYING PIN SHOWN IN POSITION A, SEE KEYING CHART ON SHEET 2 FOR OTHER POSITIONS.



LEFT GUIDED BACKPLANE HOLE PATTERN (CONNECTOR SIDE)



1.00 MINIMUM BOARD THICKNESS

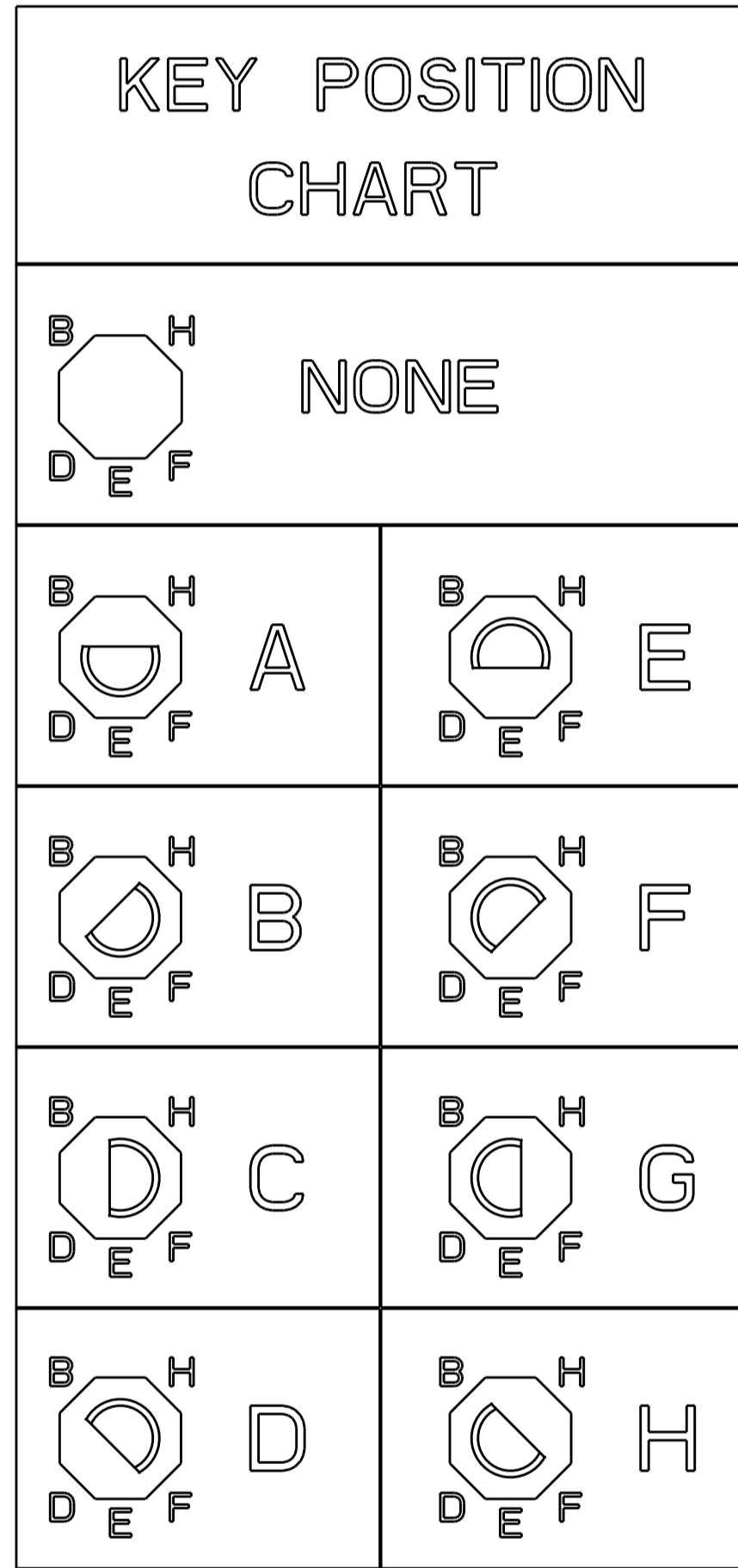


SECTION A-A

| | | | |
|--|--------------|----------------------------|--|
| THIS DRAWING IS A CONTROLLED DOCUMENT. | | DWN: KIRAN HOLAL 09JAN2013 | TE Connectivity |
| DIMENSIONS: mm | | CHK: D. DIXON 09JAN2013 | |
| TOLERANCES UNLESS OTHERWISE SPECIFIED: | | APVD: D. DIXON 09JAN2013 | NAME: IMPACT, 4 PAIR, 8 COLUMN, HEADER LEFT GUIDED, RIGHT END WALL SIGNAL MODULE, 0.39 PTH |
| Ø | 0 PLC ±0.25 | PRODUCT SPEC | SIZE: A100779C=2057437 |
| Ø | 1 PLC ±0.13 | APPLICATION SPEC | RESTRICTED TO |
| Ø | 2 PLC ±0.13 | WEIGHT | SCALE: 6:1 SHEET 1 OF 2 REV A |
| Ø | 3 PLC ±0.13 | Customer Drawing | |
| Ø | 4 PLC ±0.13 | | |
| Ø | 5 PLC ±0.13 | | |
| Ø | 6 PLC ±0.13 | | |
| Ø | 7 PLC ±0.13 | | |
| Ø | 8 PLC ±0.13 | | |
| Ø | 9 PLC ±0.13 | | |
| Ø | 10 PLC ±0.13 | | |
| Ø | 11 PLC ±0.13 | | |
| Ø | 12 PLC ±0.13 | | |
| Ø | 13 PLC ±0.13 | | |
| Ø | 14 PLC ±0.13 | | |
| Ø | 15 PLC ±0.13 | | |
| Ø | 16 PLC ±0.13 | | |
| Ø | 17 PLC ±0.13 | | |
| Ø | 18 PLC ±0.13 | | |
| Ø | 19 PLC ±0.13 | | |
| Ø | 20 PLC ±0.13 | | |
| Ø | 21 PLC ±0.13 | | |
| Ø | 22 PLC ±0.13 | | |
| Ø | 23 PLC ±0.13 | | |
| Ø | 24 PLC ±0.13 | | |
| Ø | 25 PLC ±0.13 | | |
| Ø | 26 PLC ±0.13 | | |
| Ø | 27 PLC ±0.13 | | |
| Ø | 28 PLC ±0.13 | | |
| Ø | 29 PLC ±0.13 | | |
| Ø | 30 PLC ±0.13 | | |
| Ø | 31 PLC ±0.13 | | |
| Ø | 32 PLC ±0.13 | | |
| Ø | 33 PLC ±0.13 | | |
| Ø | 34 PLC ±0.13 | | |
| Ø | 35 PLC ±0.13 | | |
| Ø | 36 PLC ±0.13 | | |
| Ø | 37 PLC ±0.13 | | |
| Ø | 38 PLC ±0.13 | | |
| Ø | 39 PLC ±0.13 | | |
| Ø | 40 PLC ±0.13 | | |
| Ø | 41 PLC ±0.13 | | |
| Ø | 42 PLC ±0.13 | | |
| Ø | 43 PLC ±0.13 | | |
| Ø | 44 PLC ±0.13 | | |
| Ø | 45 PLC ±0.13 | | |
| Ø | 46 PLC ±0.13 | | |
| Ø | 47 PLC ±0.13 | | |
| Ø | 48 PLC ±0.13 | | |
| Ø | 49 PLC ±0.13 | | |
| Ø | 50 PLC ±0.13 | | |
| Ø | 51 PLC ±0.13 | | |
| Ø | 52 PLC ±0.13 | | |
| Ø | 53 PLC ±0.13 | | |
| Ø | 54 PLC ±0.13 | | |
| Ø | 55 PLC ±0.13 | | |
| Ø | 56 PLC ±0.13 | | |
| Ø | 57 PLC ±0.13 | | |
| Ø | 58 PLC ±0.13 | | |
| Ø | 59 PLC ±0.13 | | |
| Ø | 60 PLC ±0.13 | | |
| Ø | 61 PLC ±0.13 | | |
| Ø | 62 PLC ±0.13 | | |
| Ø | 63 PLC ±0.13 | | |
| Ø | 64 PLC ±0.13 | | |
| Ø | 65 PLC ±0.13 | | |
| Ø | 66 PLC ±0.13 | | |
| Ø | 67 PLC ±0.13 | | |
| Ø | 68 PLC ±0.13 | | |
| Ø | 69 PLC ±0.13 | | |
| Ø | 70 PLC ±0.13 | | |
| Ø | 71 PLC ±0.13 | | |
| Ø | 72 PLC ±0.13 | | |
| Ø | 73 PLC ±0.13 | | |
| Ø | 74 PLC ±0.13 | | |
| Ø | 75 PLC ±0.13 | | |
| Ø | 76 PLC ±0.13 | | |
| Ø | 77 PLC ±0.13 | | |
| Ø | 78 PLC ±0.13 | | |
| Ø | 79 PLC ±0.13 | | |
| Ø | 80 PLC ±0.13 | | |
| Ø | 81 PLC ±0.13 | | |
| Ø | 82 PLC ±0.13 | | |
| Ø | 83 PLC ±0.13 | | |
| Ø | 84 PLC ±0.13 | | |
| Ø | 85 PLC ±0.13 | | |
| Ø | 86 PLC ±0.13 | | |
| Ø | 87 PLC ±0.13 | | |
| Ø | 88 PLC ±0.13 | | |
| Ø | 89 PLC ±0.13 | | |
| Ø | 90 PLC ±0.13 | | |
| Ø | 91 PLC ±0.13 | | |
| Ø | 92 PLC ±0.13 | | |
| Ø | 93 PLC ±0.13 | | |
| Ø | 94 PLC ±0.13 | | |
| Ø | 95 PLC ±0.13 | | |
| Ø | 96 PLC ±0.13 | | |

THIS DRAWING IS UNPUBLISHED. RELEASED FOR PUBLICATION 20
 © COPYRIGHT 20 BY - ALL RIGHTS RESERVED.

| LOC | DIST | P | LTN | DESCRIPTION | DATE | DWN | APVD |
|-----|------|---|-----|-------------|------|-----|------|
| AD | 00 | - | - | SEE SHEET 1 | - | - | - |
| | | | | | | | |
| | | | | | | | |



| | | | |
|--------|--------------|-------|-------------|
| | H | 5.5 | 8-2057437-3 |
| | H | 4.9 | 8-2057437-2 |
| | H | 4.5 | 8-2057437-1 |
| | G | 5.5 | 7-2057437-3 |
| | G | 4.9 | 7-2057437-2 |
| | G | 4.5 | 7-2057437-1 |
| | F | 5.5 | 6-2057437-3 |
| | F | 4.9 | 6-2057437-2 |
| | F | 4.5 | 6-2057437-1 |
| | E | 5.5 | 5-2057437-3 |
| | E | 4.9 | 5-2057437-2 |
| | E | 4.5 | 5-2057437-1 |
| | D | 5.5 | 4-2057437-3 |
| | D | 4.9 | 4-2057437-2 |
| | D | 4.5 | 4-2057437-1 |
| | C | 5.5 | 3-2057437-3 |
| | C | 4.9 | 3-2057437-2 |
| | C | 4.5 | 3-2057437-1 |
| | B | 5.5 | 2-2057437-3 |
| | B | 4.9 | 2-2057437-2 |
| | B | 4.5 | 2-2057437-1 |
| | A | 5.5 | 1-2057437-3 |
| | A | 4.9 | 1-2057437-2 |
| | A | 4.5 | 1-2057437-1 |
| | - | 5.5 | 2057437-3 |
| | - | 4.9 | 2057437-2 |
| | - | 4.5 | 2057437-1 |
| FINISH | KEY POSITION | DIM M | PART NUMBER |

REFER TO WWW.TE.COM
FOR PRODUCT AVAILABILITY

| | | | |
|--|--|----------------------------|--|
| THIS DRAWING IS A CONTROLLED DOCUMENT. | | DWN: KIRAN HOLAL 09JAN2013 | TE Connectivity |
| DIMENSIONS: mm | | CHK: D. DIXON 09JAN2013 | |
| TOLERANCES UNLESS OTHERWISE SPECIFIED: | | APVD: D. DIXON 09JAN2013 | NAME: IMPACT, 4 PAIR, 8 COLUMN, HEADER LEFT GUIDED, RIGHT END WALL SIGNAL MODULE, 0.39 PTH SIZE: CAGE CODE DRAWING NO: A100779C=2057437 RESTRICTED TO: |
| 0 PLC ±0.25 2 PLC ±0.13 3 PLC ± 4 PLC ± ANGLES ± FINISH SEE TABLE | | PRODUCT SPEC | |
| MATERIAL: - | | APPLICATION SPEC | |
| WEIGHT: - | | Customer Drawing | |
| SCALE: 5:1 | | SHEET: 2 OF 2 | REV: A |