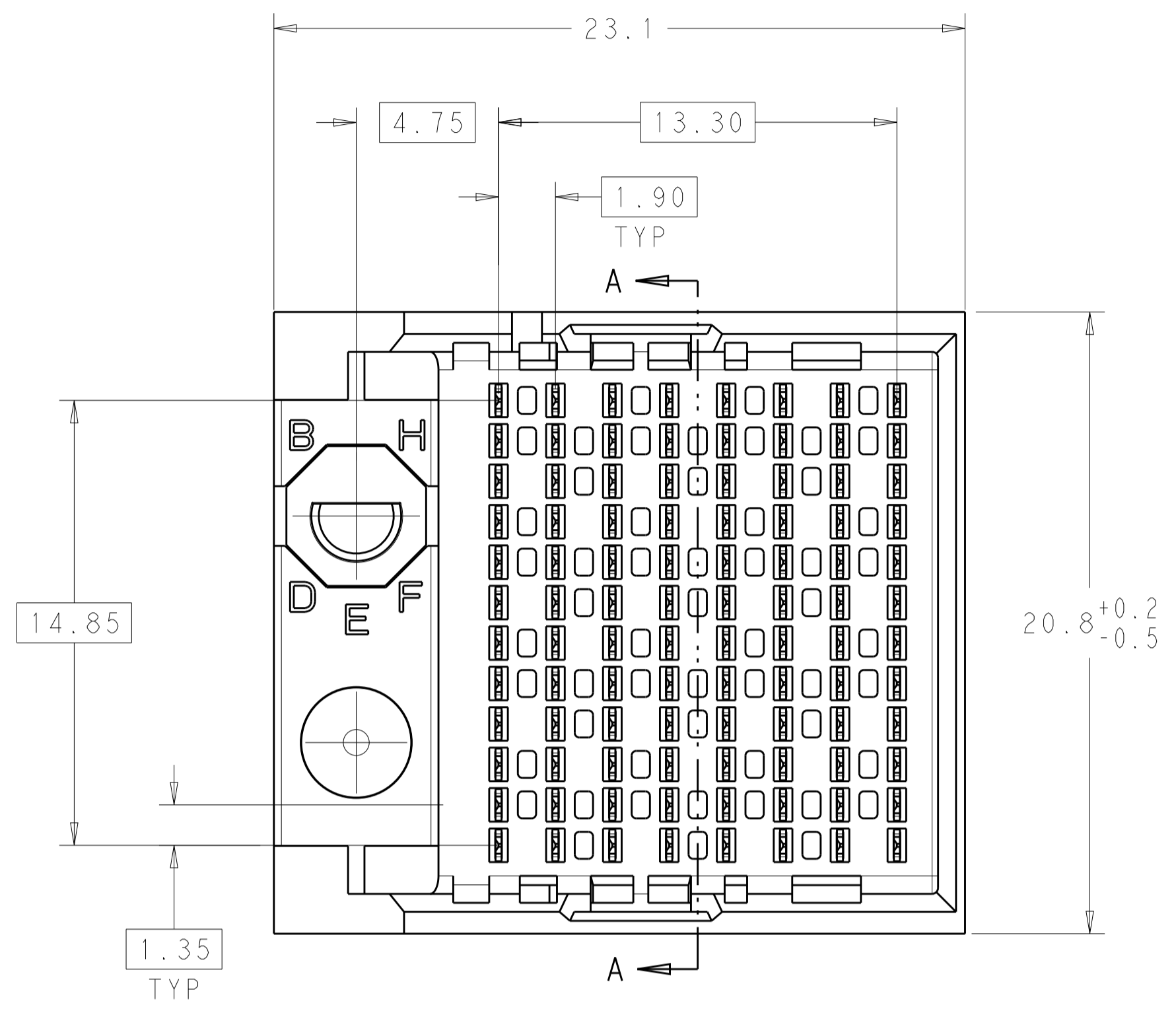
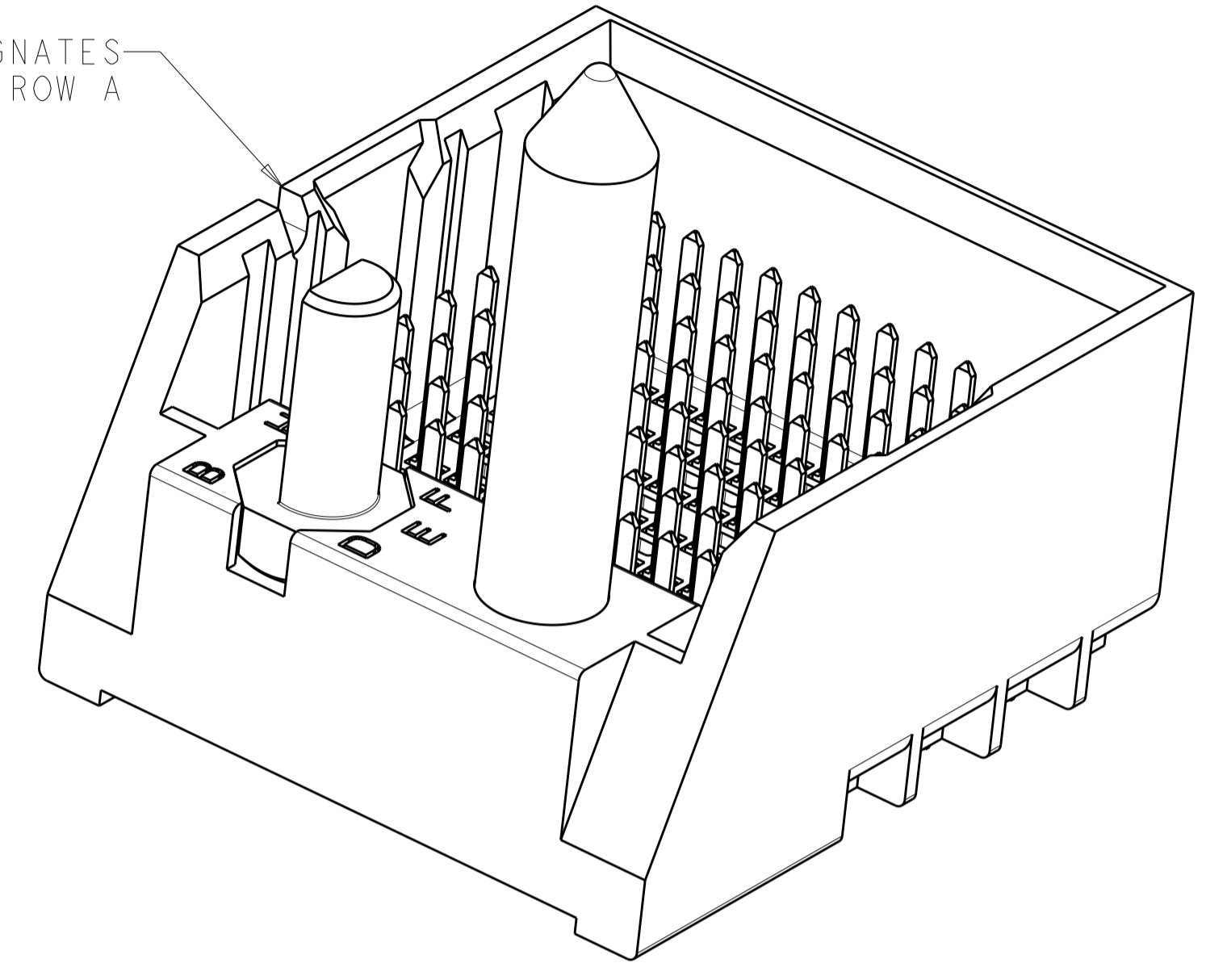


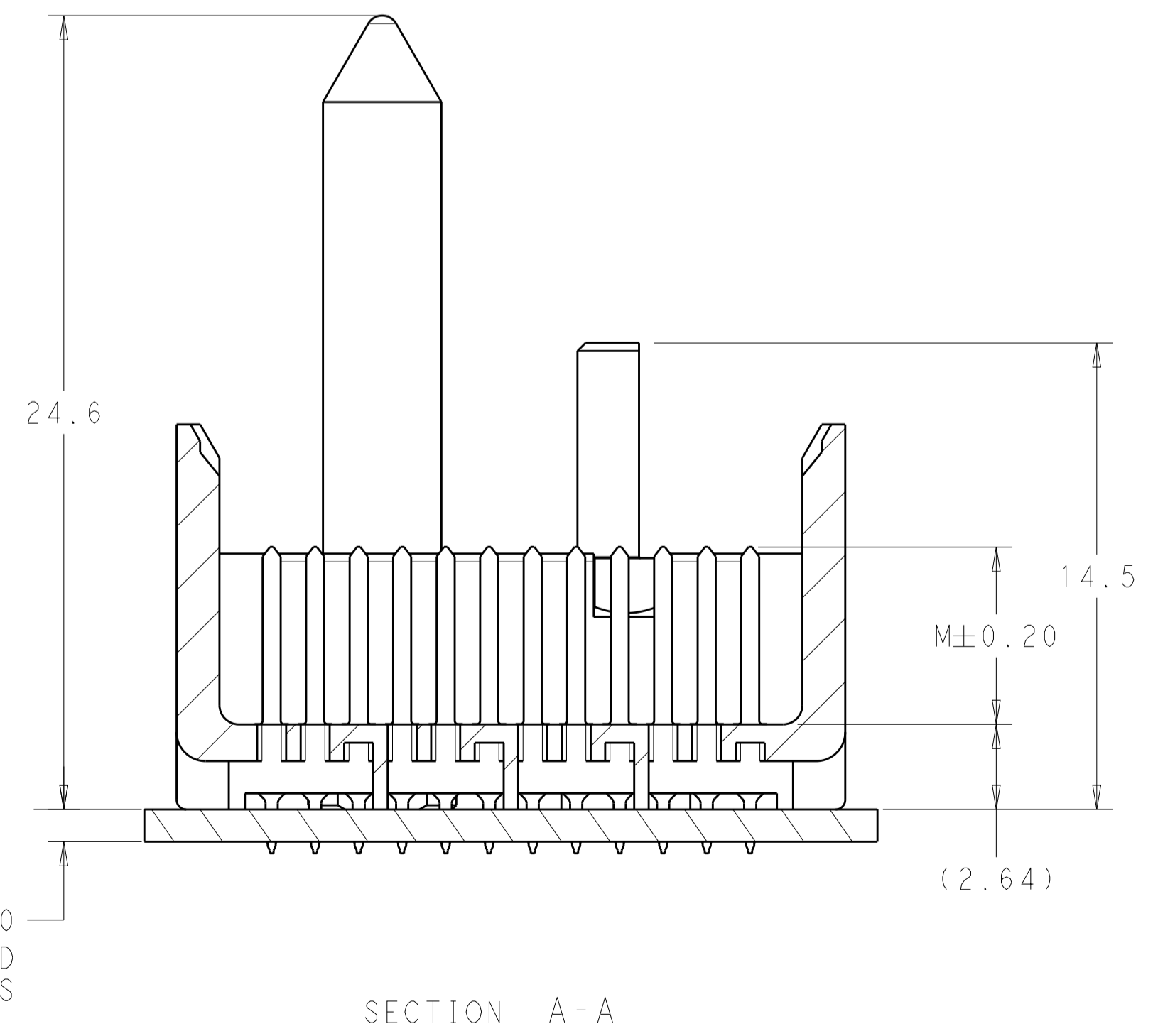
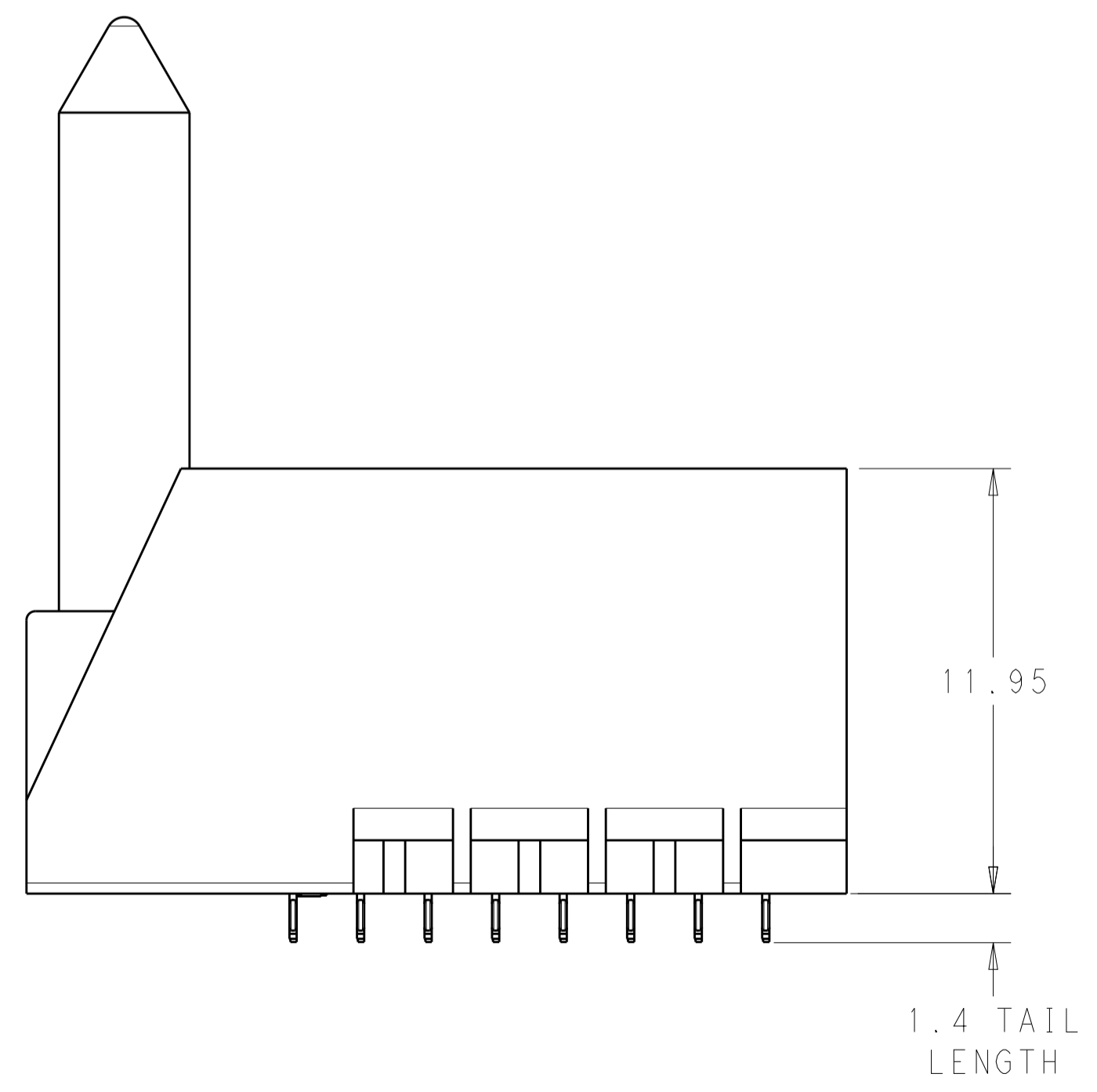
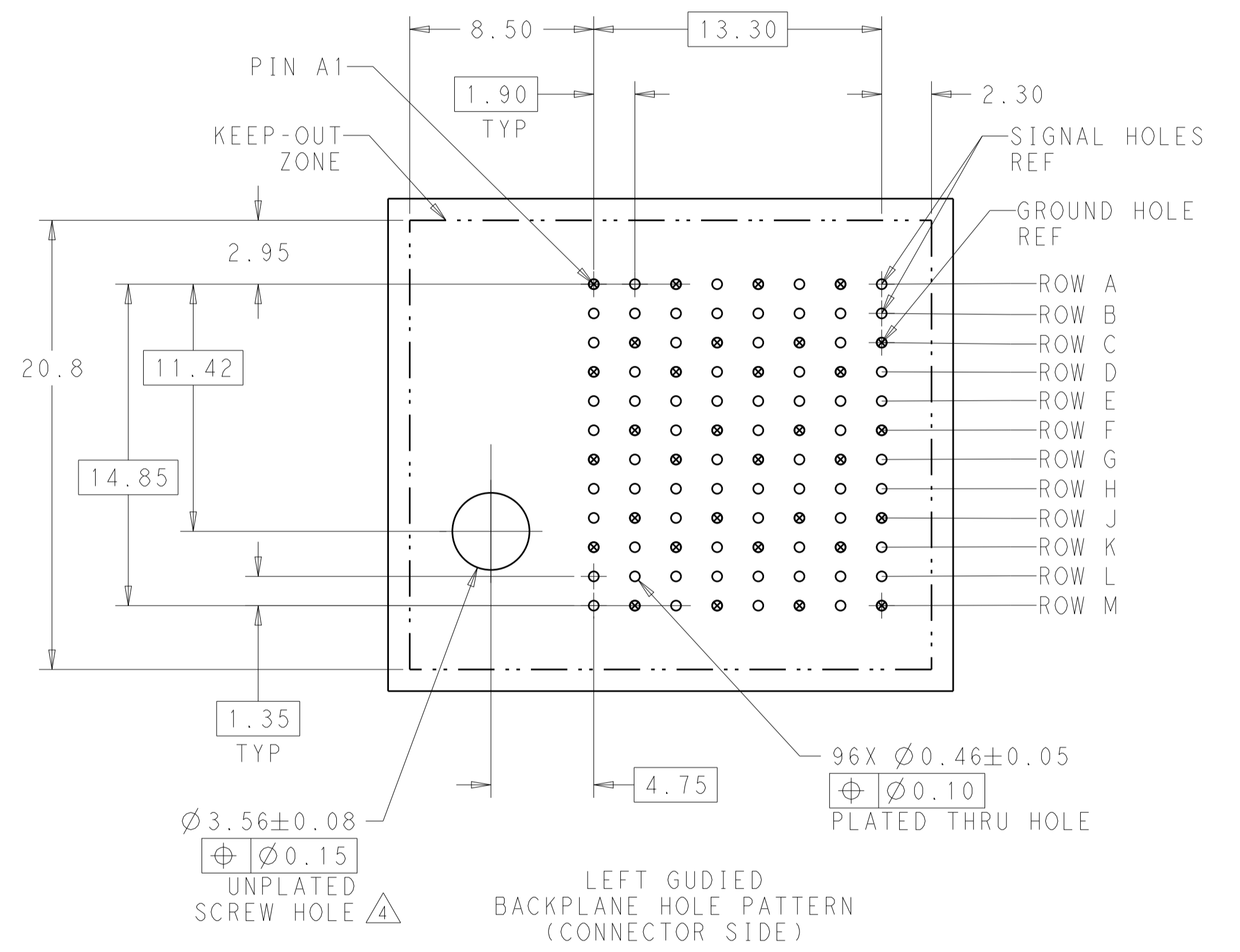
REVISIONS				
P.	LTM	DESCRIPTION	DATE	DWN APVD
A1		REVISED PER ECO-15-001494	05FEB2015	AP DD



NOTCH DESIGNATES ROW A



- ⚠ MATERIAL:
HOUSING: LCP, GLASS FILLED, UL94V-0.
TERMINALS: HIGH PERFORMANCE COPPER ALLOY.
- ⚠ FINISH:
30µ" MIN GOLD IN CONTACT AREA. SELECTIVE TIN ON PCB TAILS, NICKEL OVERALL.
- 3. SCREWS PACKAGED IN END OF PACKAGING TUBE.
- ⚠ FOR GROUNDED GUIDE PIN USE Ø3.56±0.08 PTH, Ø3.66 DRILL, AND Ø6.5 PAD.
- 5. KEYING PIN SHOWN IN POSITION A, SEE KEYING CHART ON SHEET 2 FOR OTHER POSITIONS.



THIS DRAWING IS A CONTROLLED DOCUMENT.		DWN: R. GRZYBOWSKI 03OCT2011	TE Connectivity
DIMENSIONS: mm		CHK: J. EARY 03OCT2011	
TOLERANCES UNLESS OTHERWISE SPECIFIED:		APVD: J. EARY 03OCT2011	NAME: IMPACT, 4 PAIR, 8 COLUMN, HEADER LEFT GUIDED, RIGHT END WALL SIGNAL MODULE, 0.46 PTH
0 PLC ±	1 PLC ±0.25	PRODUCT SPEC	SIZE: CAGE CODE DRAWING NO. RESTRICTED TO
2 PLC ±0.13	3 PLC ±	APPLICATION SPEC	A100779C=2057436
4 PLC ±	ANGLES ±	WEIGHT	CUSTOMER DRAWING
FINISH: SEE TABLE		SCALE: 6:1	SHEET 1 OF 2 REV A1

REVISIONS				
P.	LTN	DESCRIPTION	DATE	APVD
-	-	SEE SHEET 1	-	-



	H	5.5	8-2057436-3
	H	4.9	8-2057436-2
	H	4.5	8-2057436-1
	G	5.5	7-2057436-3
	G	4.9	7-2057436-2
	G	4.5	7-2057436-1
	F	5.5	6-2057436-3
	F	4.9	6-2057436-2
	F	4.5	6-2057436-1
	E	5.5	5-2057436-3
	E	4.9	5-2057436-2
	E	4.5	5-2057436-1
	D	5.5	4-2057436-3
	D	4.9	4-2057436-2
	D	4.5	4-2057436-1
	C	5.5	3-2057436-3
	C	4.9	3-2057436-2
	C	4.5	3-2057436-1
	B	5.5	2-2057436-3
	B	4.9	2-2057436-2
	B	4.5	2-2057436-1
	A	5.5	1-2057436-3
	A	4.9	1-2057436-2
	A	4.5	1-2057436-1
	-	5.5	2057436-3
	-	4.9	2057436-2
	-	4.5	2057436-1
FINISH	KEY POSITION	DIM M	PART NUMBER

REFER TO WWW.TE.COM
FOR PRODUCT AVAILABILITY

THIS DRAWING IS A CONTROLLED DOCUMENT.		DWN R. GRZYBOWSKI 03OCT2011 CHK J. EARY 03OCT2011 APVD J. EARY 03OCT2011	TE Connectivity NAME IMPACT, 4 PAIR, 8 COLUMN, HEADER LEFT GUIDED, RIGHT END WALL SIGNAL MODULE, 0.46 PTH
DIMENSIONS: mm 	TOLERANCES UNLESS OTHERWISE SPECIFIED: 0 PLC ±0.25 1 PLC ±0.13 2 PLC ±0.13 3 PLC ±0.13 4 PLC ±0.13 ANGLES ±0.5°	PRODUCT SPEC APPLICATION SPEC WEIGHT CUSTOMER DRAWING	
MATERIAL	SEE TABLE	SCALE 5:1	SIZE A1 CAGE CODE 2057436 SHEET 2 OF 2 REV A1