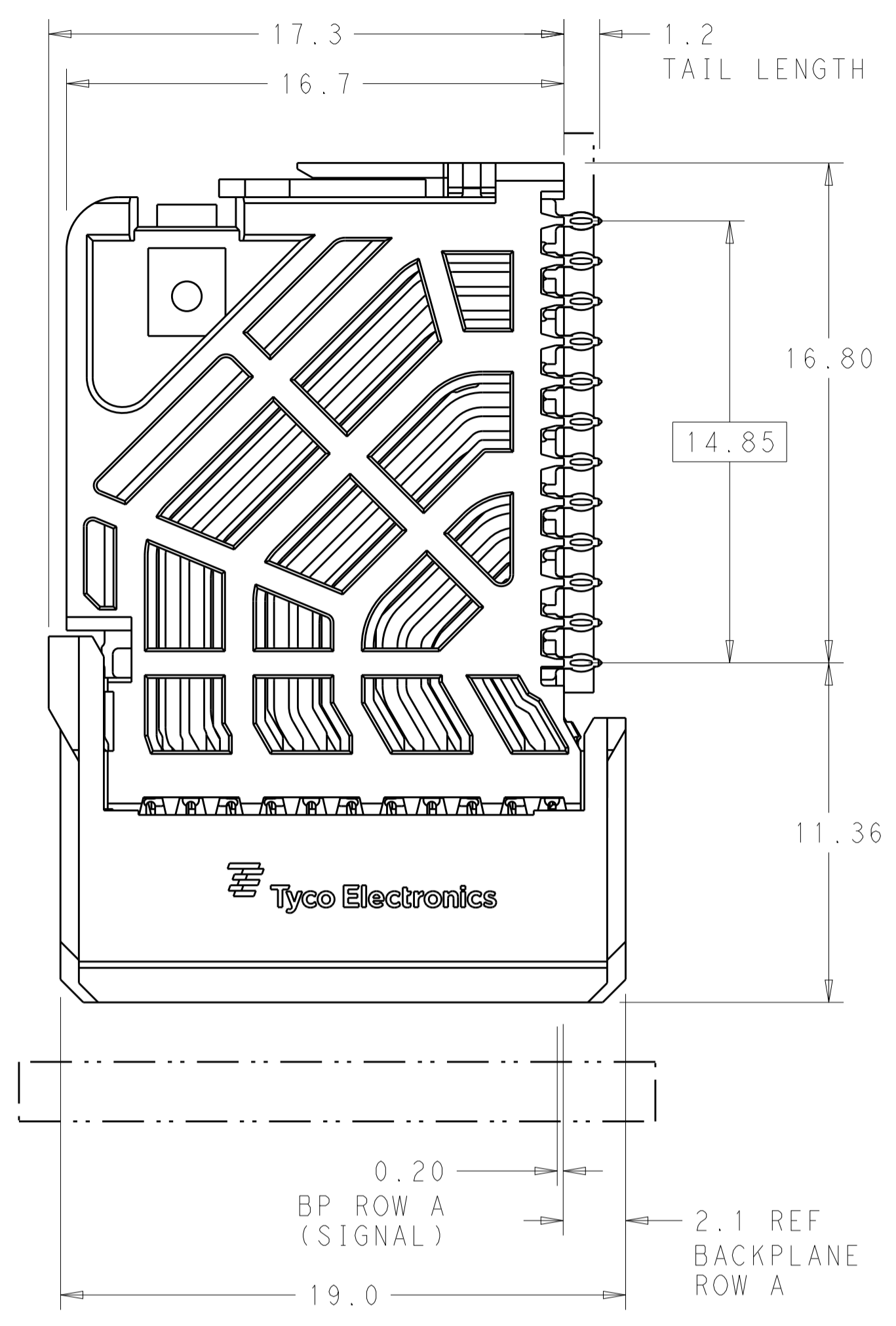
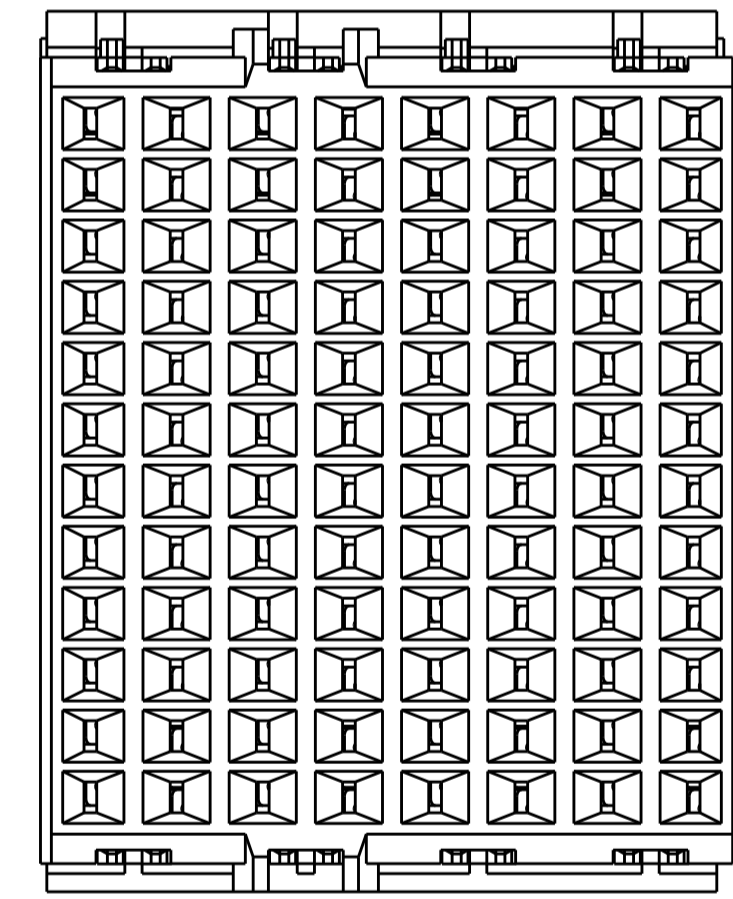
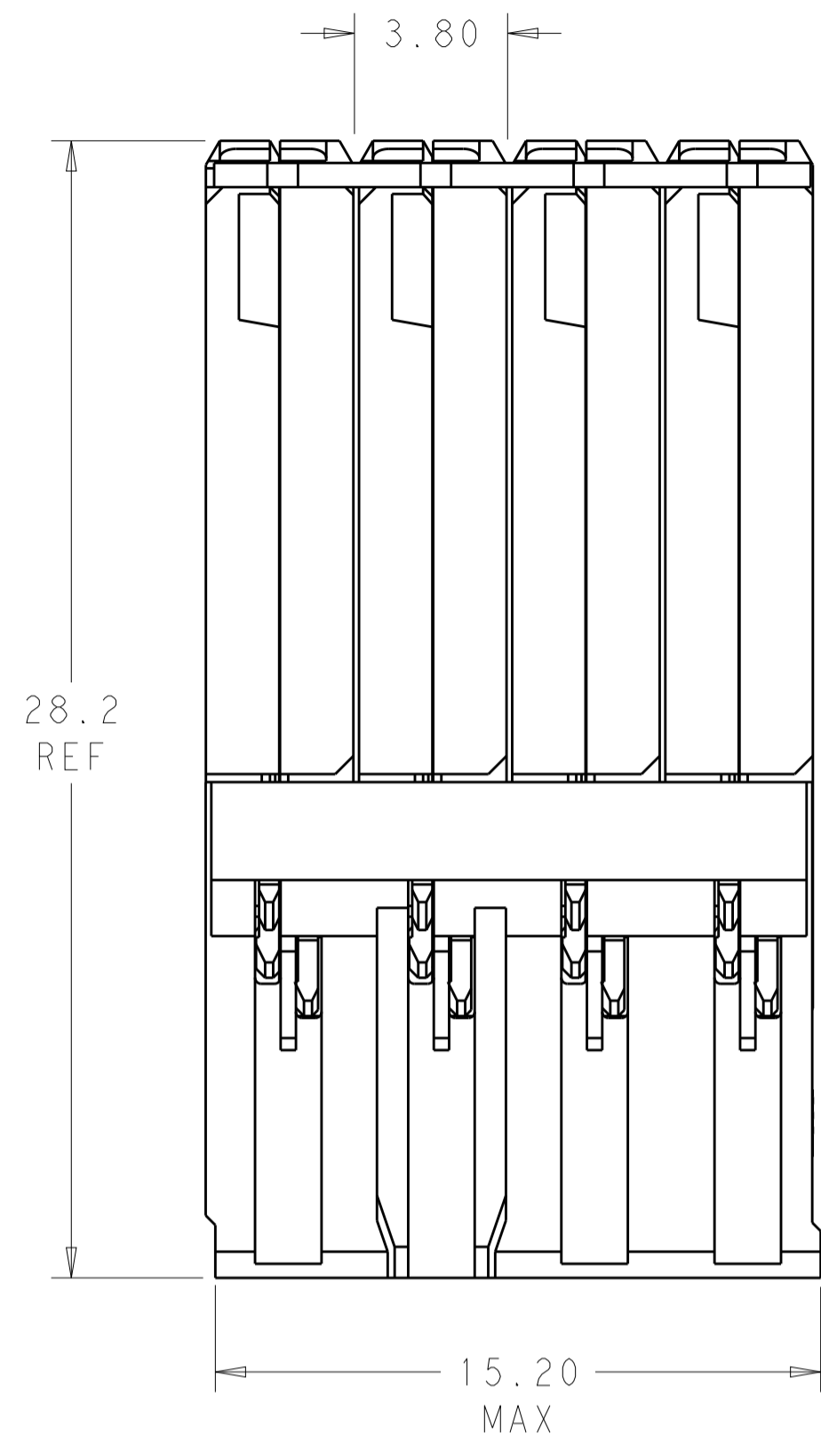
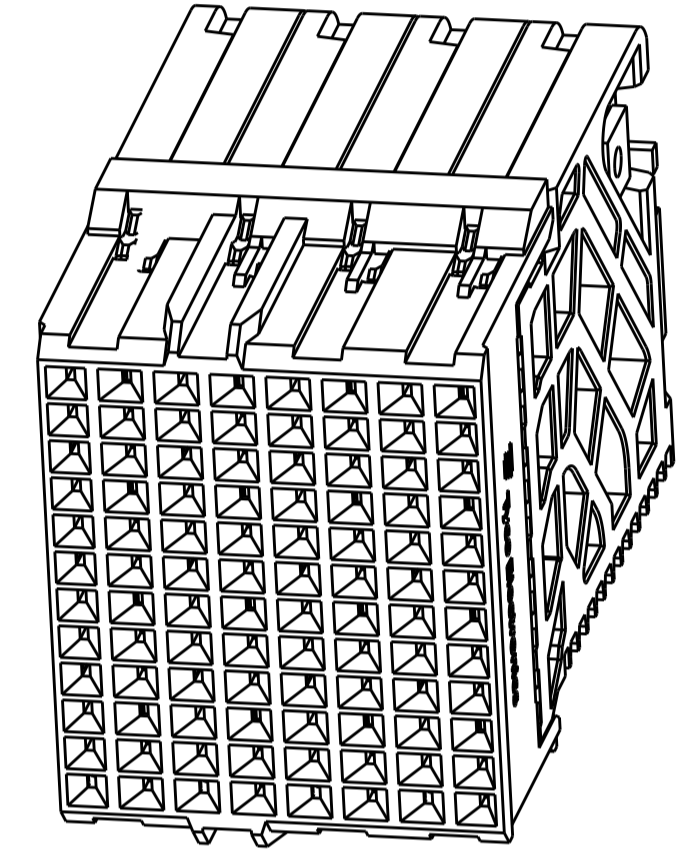


LOC	DIST	REVISIONS			
P	LTN	DESCRIPTION	DATE	DWN	APVD
B1		REVISED PER ECO-14-018036	17FEB2015	AP	DD



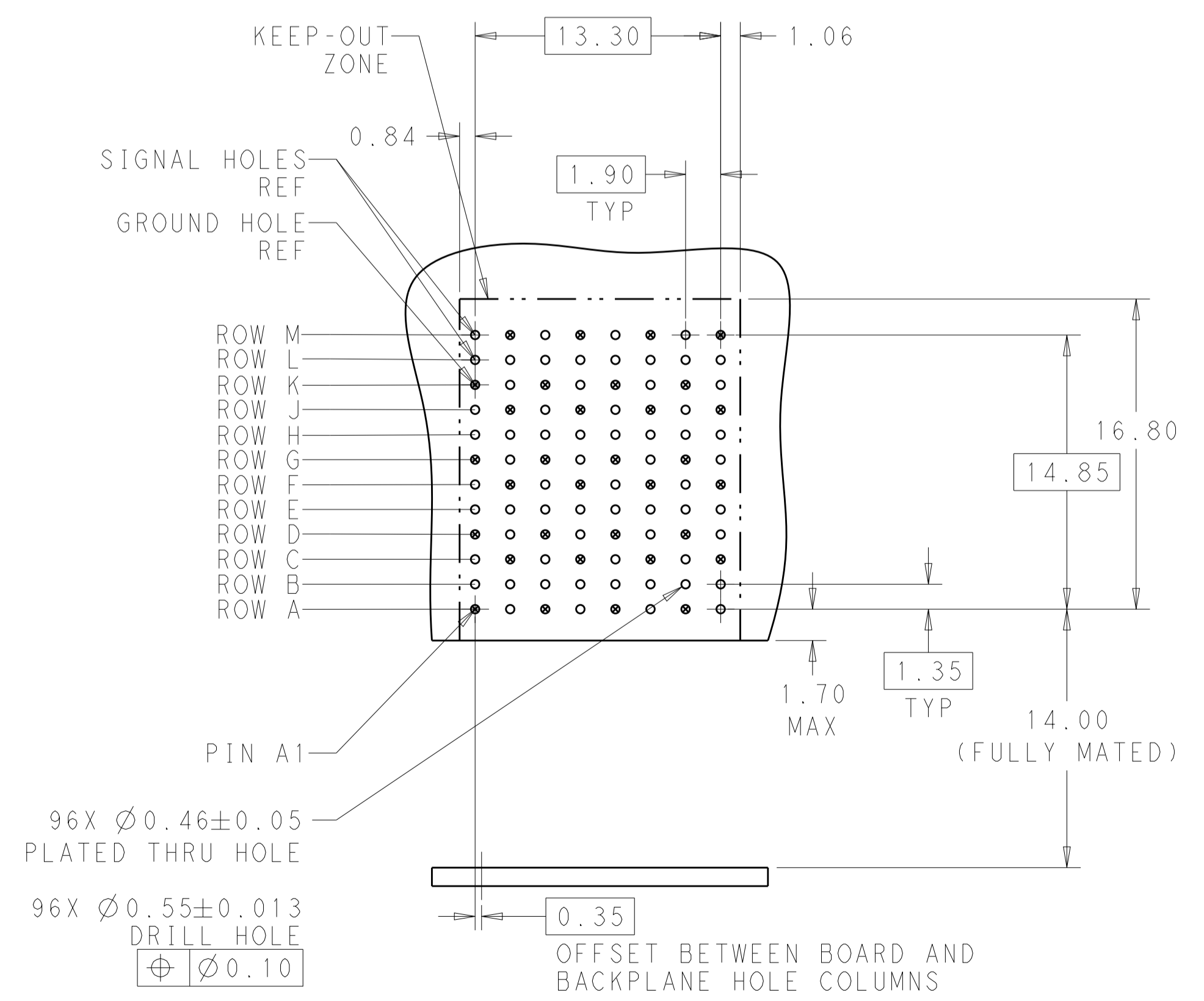
⚠ MATERIAL:
HOUSING: LCP, GLASS FILLED, UL94V-0.
TERMINALS: HIGH PERFORMANCE COPPER ALLOY.

⚠ FINISH:
30μ" SELECTIVE GOLD IN CONTACT AREA. SELECTIVE TIN ON PCB TAILS, NICKEL OVERALL.



SCALE 4:1

REFER TO WWW.TE.COM FOR PRODUCT AVAILABILITY



96X $\varnothing 0.46 \pm 0.05$ PLATED THRU HOLE

96X $\varnothing 0.55 \pm 0.013$ DRILL HOLE

$\varnothing 0.10$

RECOMMENDED PCB LAYOUT
MIN BOARD THICKNESS 1.0

NONE	⚠	2057414-1
KEY POSITION	FINISH	PART NUMBER

THIS DRAWING IS A CONTROLLED DOCUMENT.		DWN	18MAY2011	TE Connectivity NAME: IMPACT, 4 PAIR, DAUGHTERCARD 8 COLUMN, UNGUIDED, SIGNAL MODULE, 0.46 EYELET SIZE: A1 CAGE CODE: 2057414 DRAWING NO: 100779	RESTRICTED TO	
DIMENSIONS:		CHK	18MAY2011		PRODUCT SPEC APPLICATION SPEC	-
mm		APVD	18MAY2011			
0 PLC ± 1 PLC ±0.2 2 PLC ±0.13 3 PLC ± 4 PLC ± ANGLES ±		TOLERANCES UNLESS OTHERWISE SPECIFIED:			SCALE	6:1
MATERIAL		SEE TABLE		SHEET	1 OF 1	