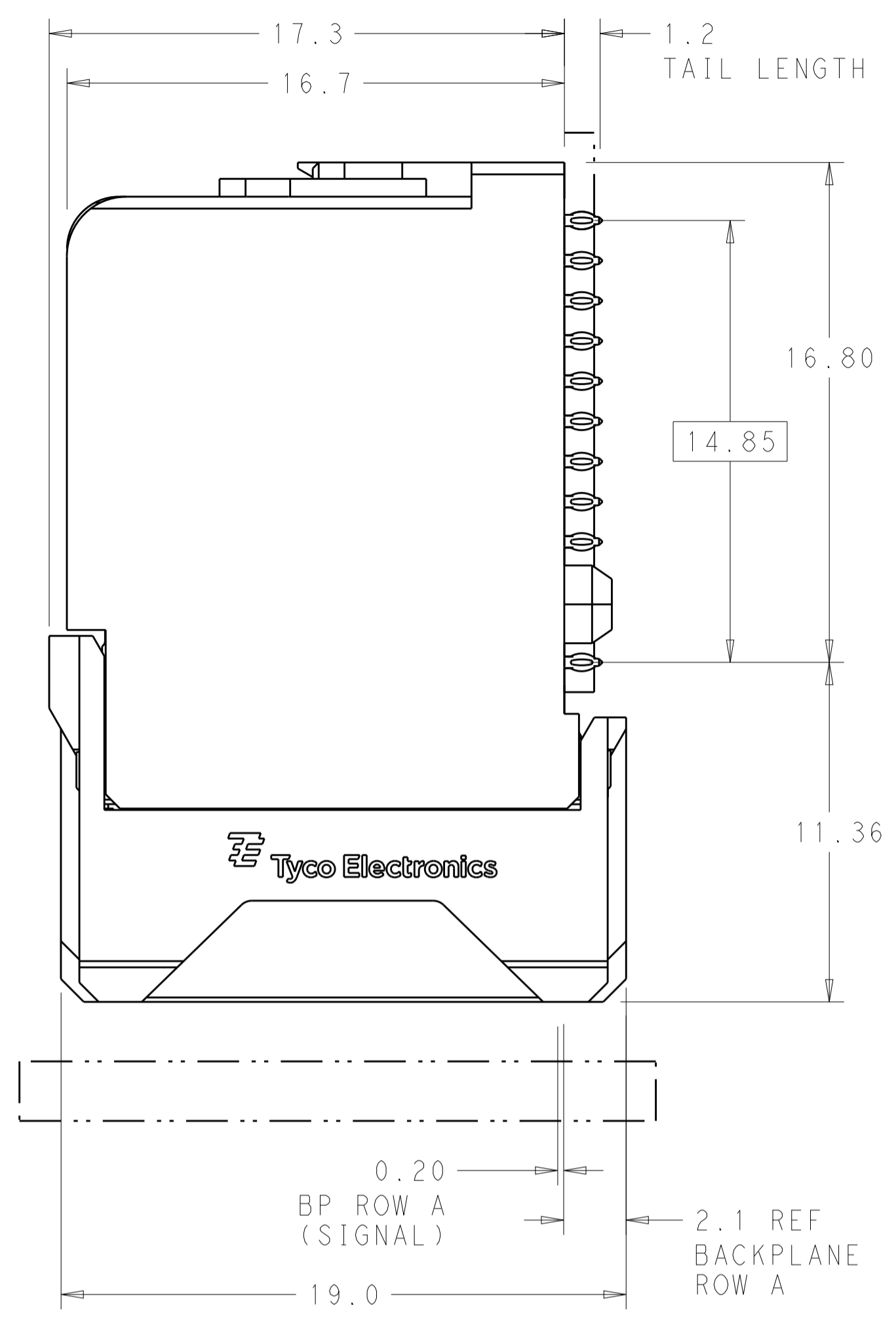
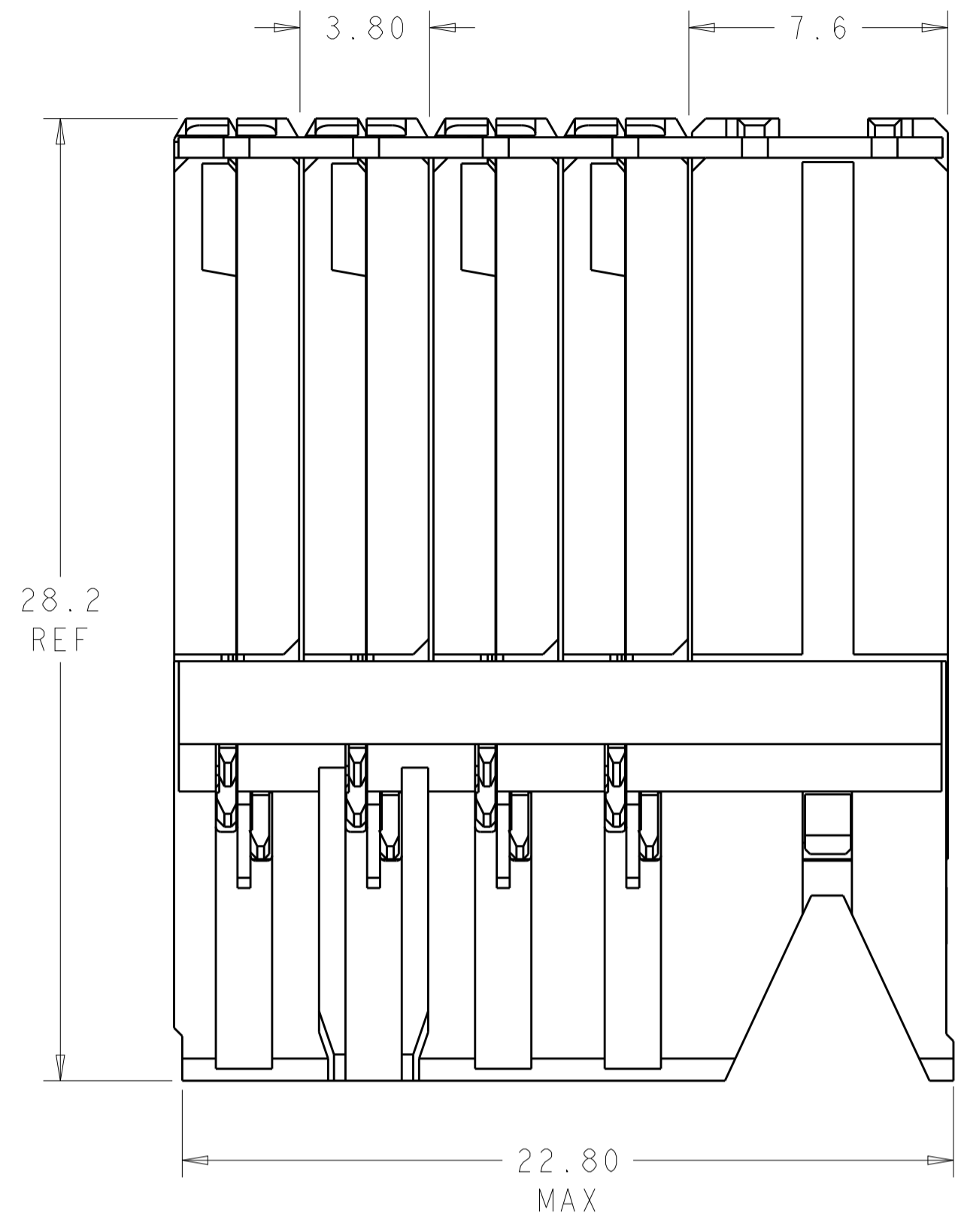


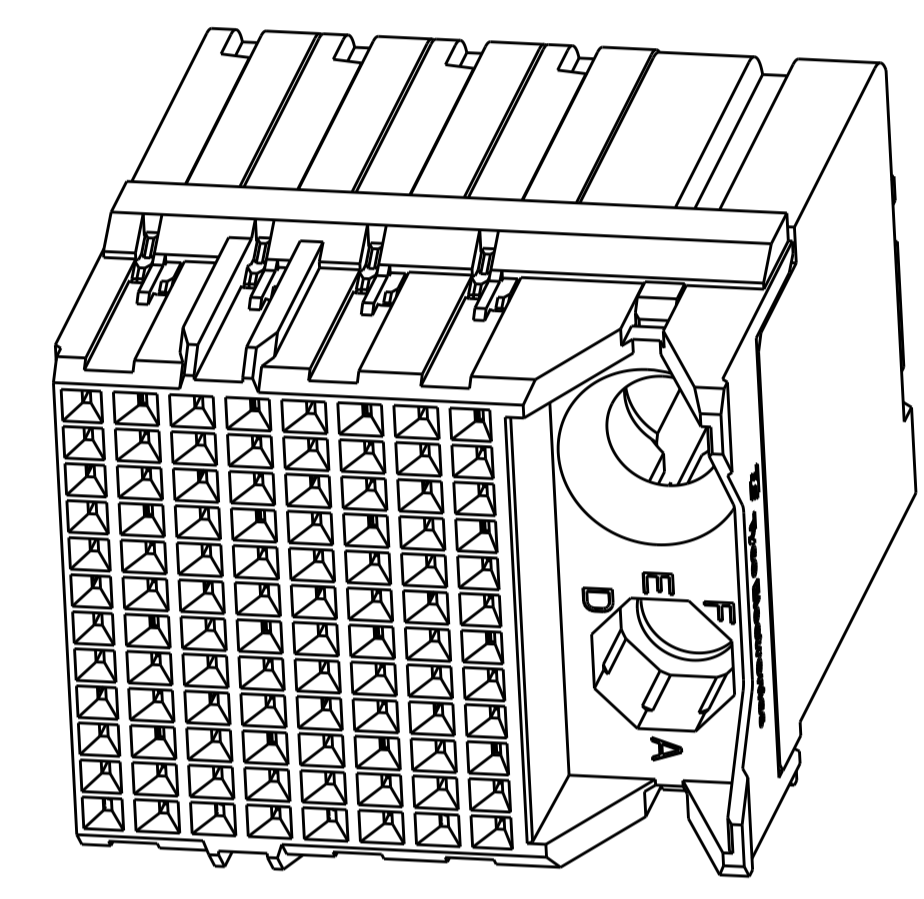
LOC		DIST		REVISIONS			
AD	00	P	LTN	DESCRIPTION	DATE	DWN	APVD
		B1		REVISED PER ECO-14-018036	17FEB2015	AP	DD



⚠ MATERIAL:
 HOUSING: LCP, GLASS FILLED, UL94V-0.
 TERMINALS: HIGH PERFORMANCE COPPER ALLOY.

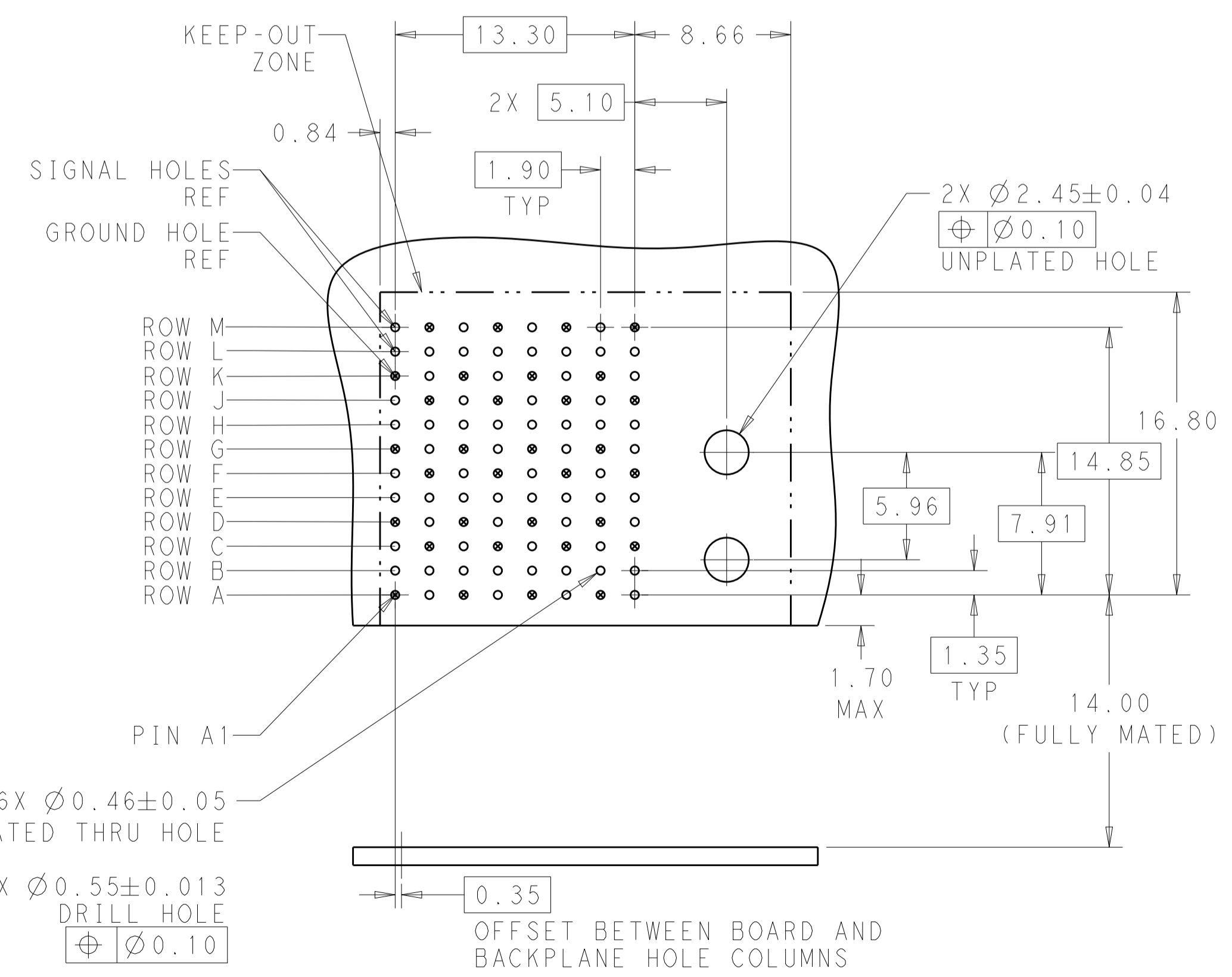
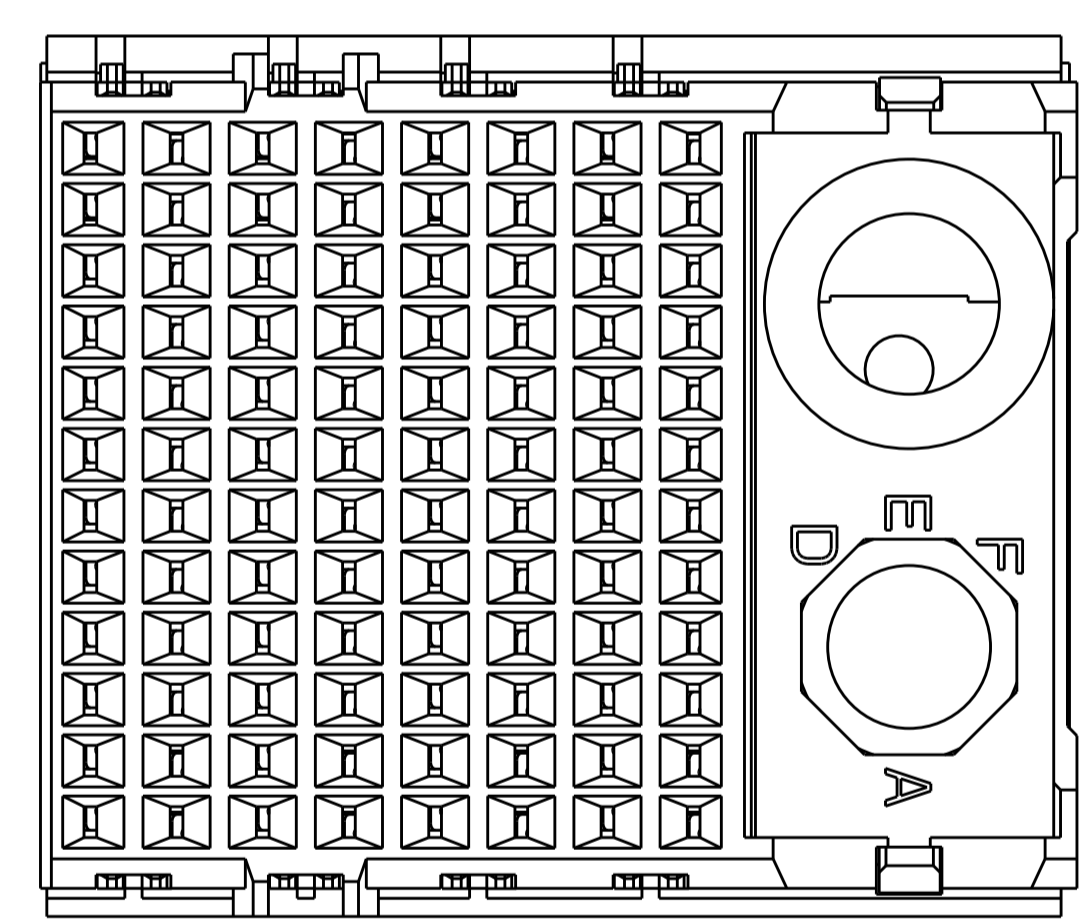
⚠ FINISH:
 30µ" SELECTIVE GOLD IN CONTACT AREA. SELECTIVE TIN ON PCB TAILS, NICKEL OVERALL.

3. CONNECTORS SUPPLIED WITH MOUNTING SCREWS.



SCALE 4:1

REFER TO WWW.TE.COM FOR PRODUCT AVAILABILITY



KEY POSITION CHART	
	NONE
	A
	B
	C
	D
	E
	F
	G
	H

H	⚠	8-2057413-1
G	⚠	7-2057413-1
F	⚠	6-2057413-1
E	⚠	5-2057413-1
D	⚠	4-2057413-1
C	⚠	3-2057413-1
B	⚠	2-2057413-1
A	⚠	1-2057413-1
NONE	⚠	2057413-1
KEY POSITION	FINISH	PART NUMBER

THIS DRAWING IS A CONTROLLED DOCUMENT. DWN 18MAY2011
 CHK D. DIXON 18MAY2011
 APVD D. DIXON 18MAY2011

TE Connectivity

NAME: IMPACT, 4 PAIR, DAUGHTERCARD 8 COLUMN, RIGHT GUIDED, SIGNAL MODULE, 0.46 EYELET

SIZE: A1 00779 C=2057413

SCALE: 6:1 SHEET 1 OF 1 REV: B1