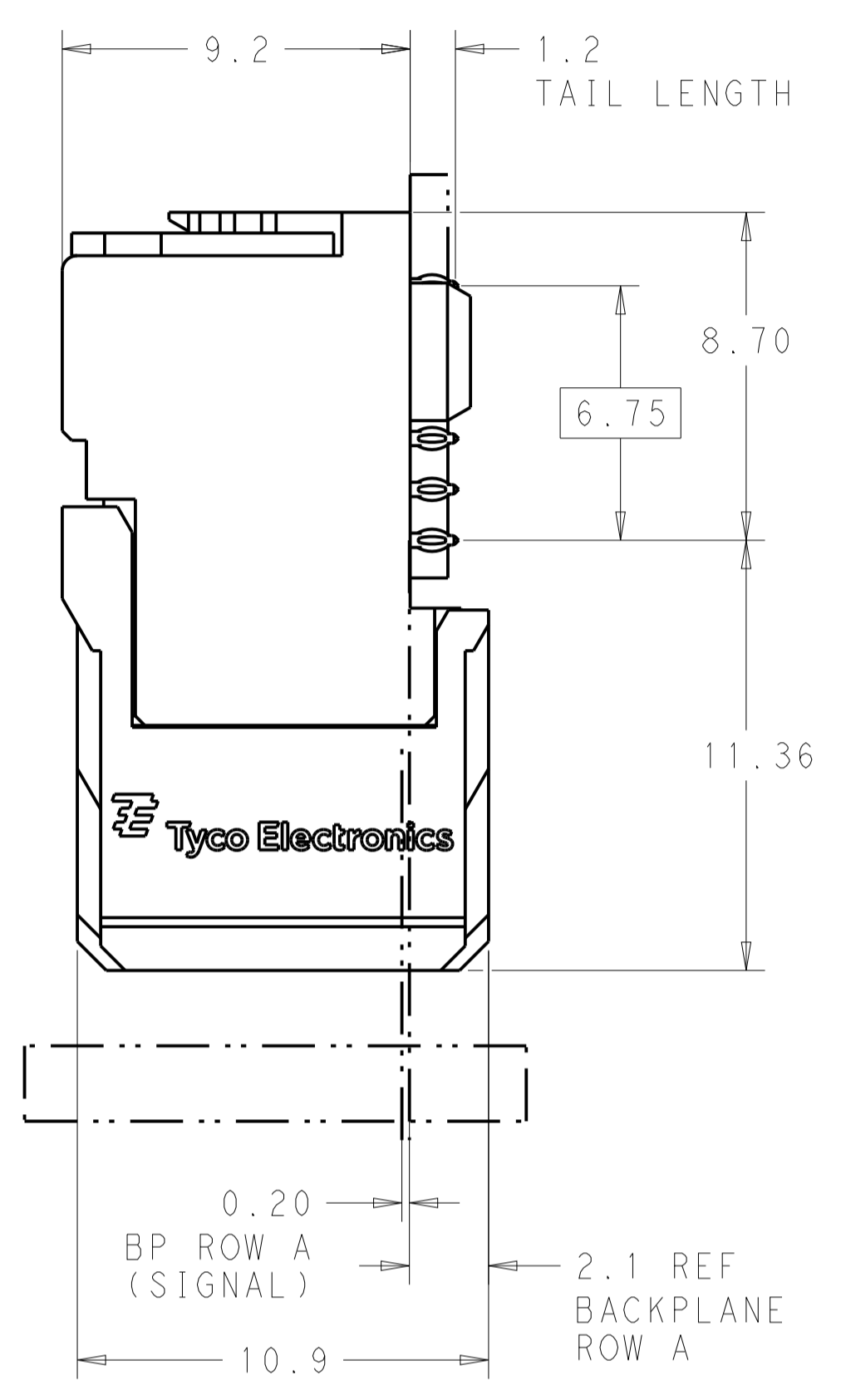
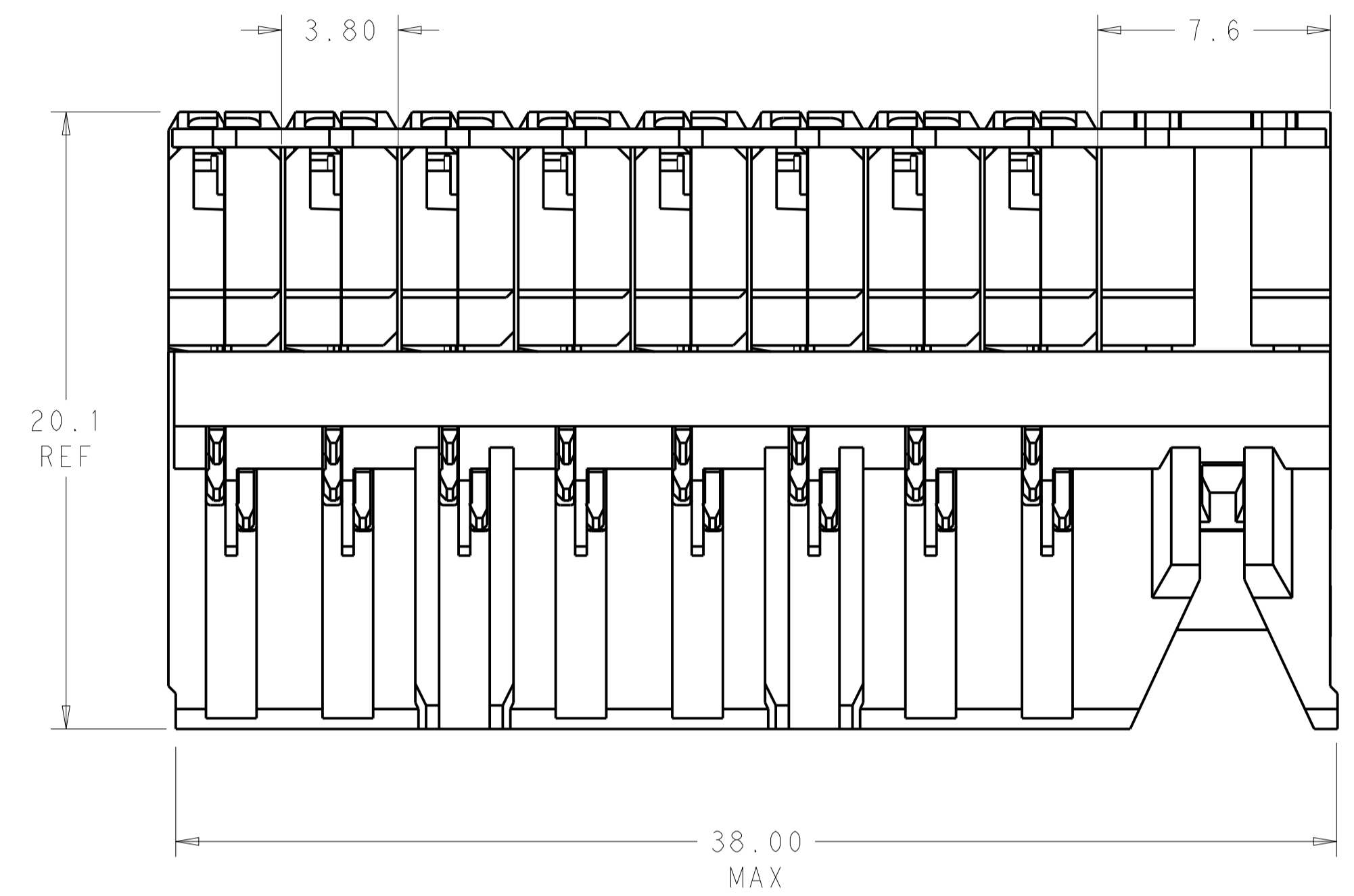


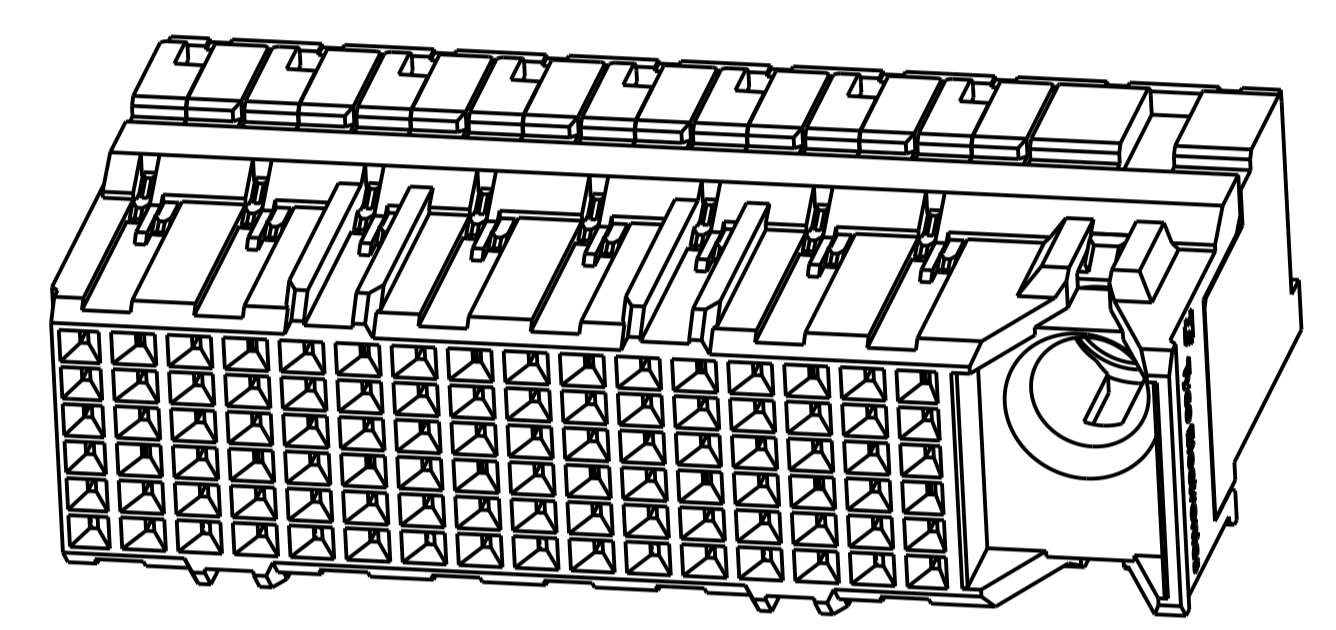
REVISIONS				
P.	LTM	DESCRIPTION	DATE	OWN APVD
A		REVISED PER ECO-14-017984	02DEC2014	AP DD



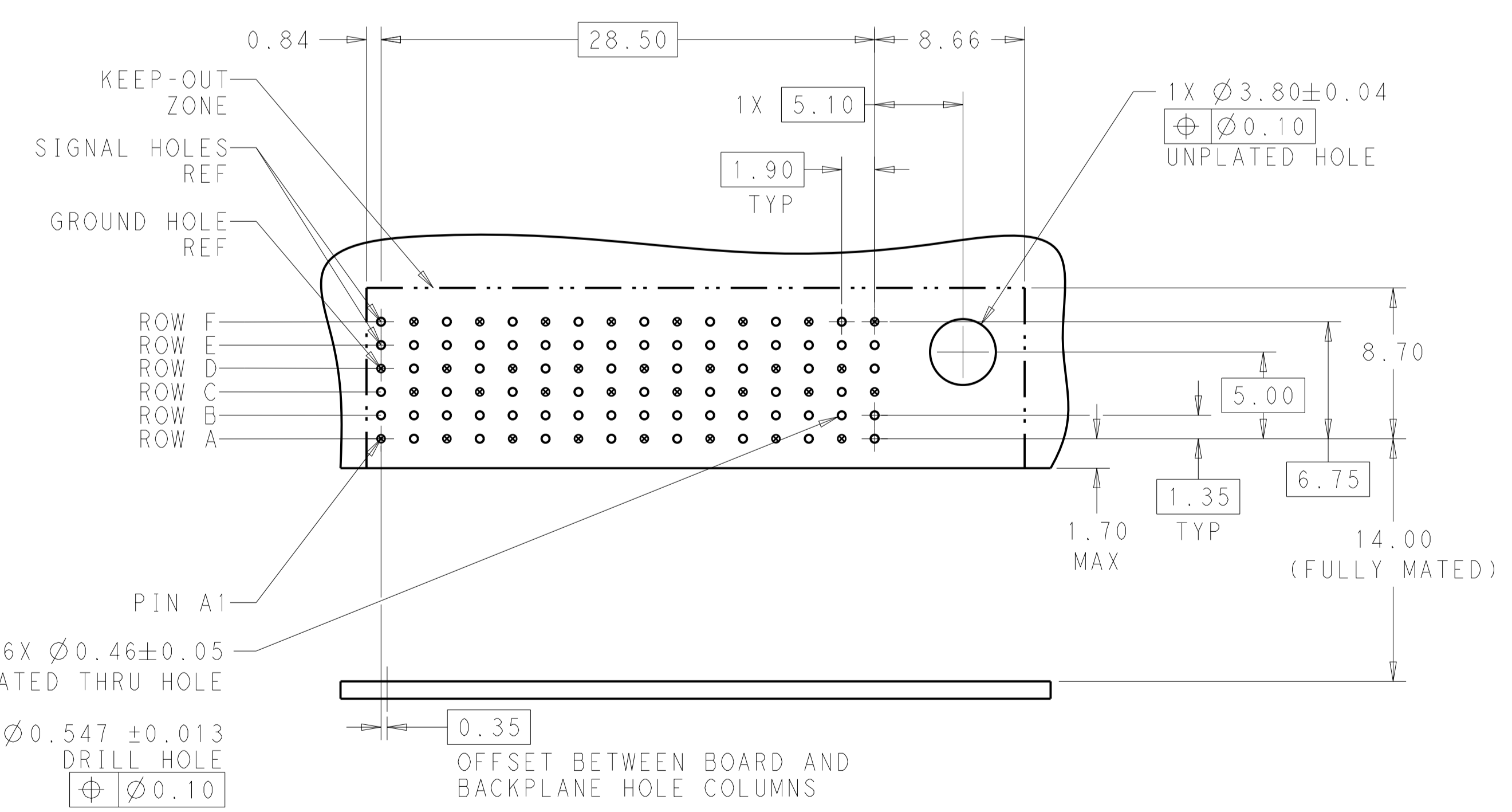
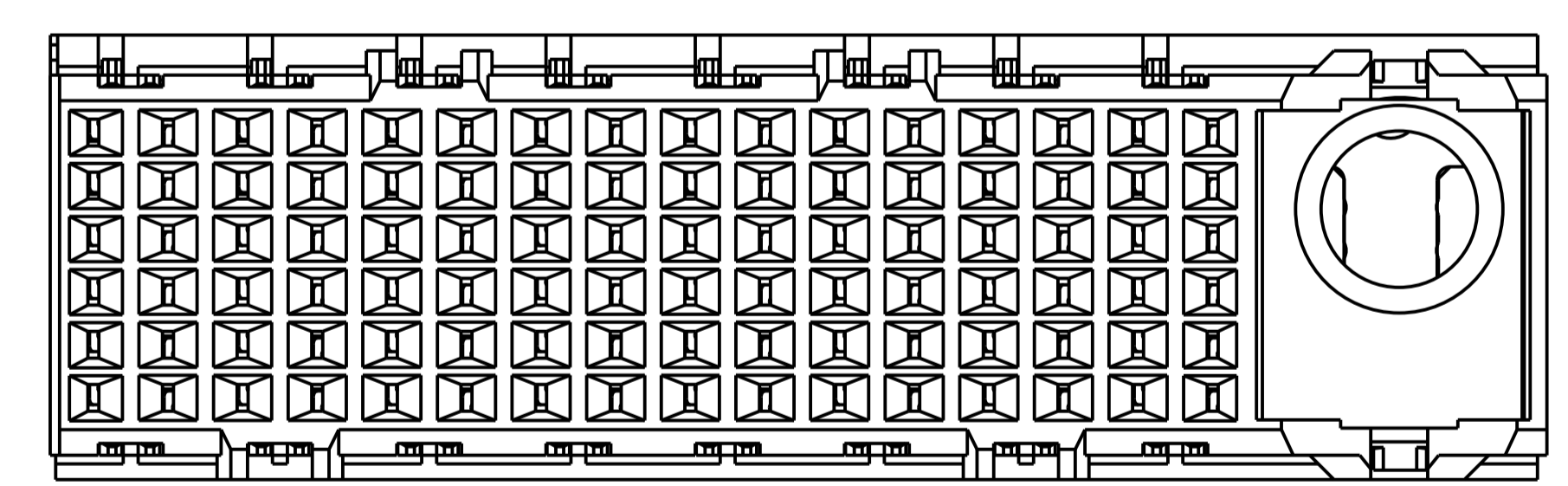
⚠ MATERIAL:
HOUSING: LCP, GLASS FILLED, UL94V-0.
TERMINALS: HIGH PERFORMANCE COPPER ALLOY.

⚠ FINISH:
30µ" SELECTIVE GOLD IN CONTACT AREA. SELECTIVE TIN ON PCB TAILS, NICKEL OVERALL.

3. CONNECTORS SUPPLIED WITH MOUNTING SCREWS.



SCALE 4:1



REFER TO WWW.TE.COM FOR PRODUCT AVAILABILITY

RECOMMENDED PCB LAYOUT
MIN BOARD THICKNESS 1.6

NONE	⚠	2057407-1
KEY POSITION	FINISH	PART NUMBER

THIS DRAWING IS A CONTROLLED DOCUMENT.		OWN: KIRAN HOLAL 17NOV2012		NAME: IMPACT, 2 PAIR, DAUGHTERCARD 16 COLUMN, RIGHT GUIDED, SIGNAL MODULE, 0.46 EYELET
DIMENSIONS: mm		CHK: D. DIXON 17NOV2012		
TOLERANCES UNLESS OTHERWISE SPECIFIED:		APVD: D. DIXON 17NOV2012		
0 PLC ± 1 PLC ±0.2 2 PLC ±0.13 3 PLC ± 4 PLC ± ANGLES ±		PRODUCT SPEC APPLICATION SPEC SIZE: CAGE CODE DRAWING NO WEIGHT: A100779 ©=2057407 Customer Drawing		
MATERIAL: SEE TABLE		RESTRICTED TO	SCALE: 6:1	SHEET 1 OF 1