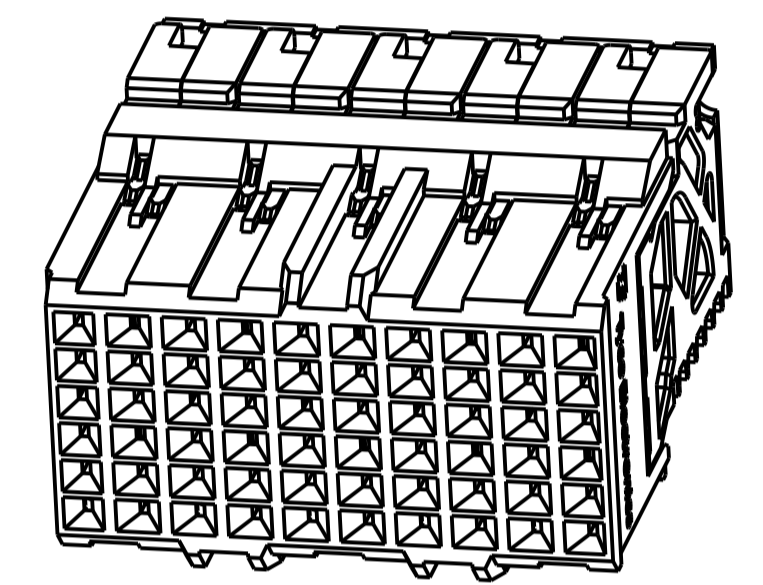
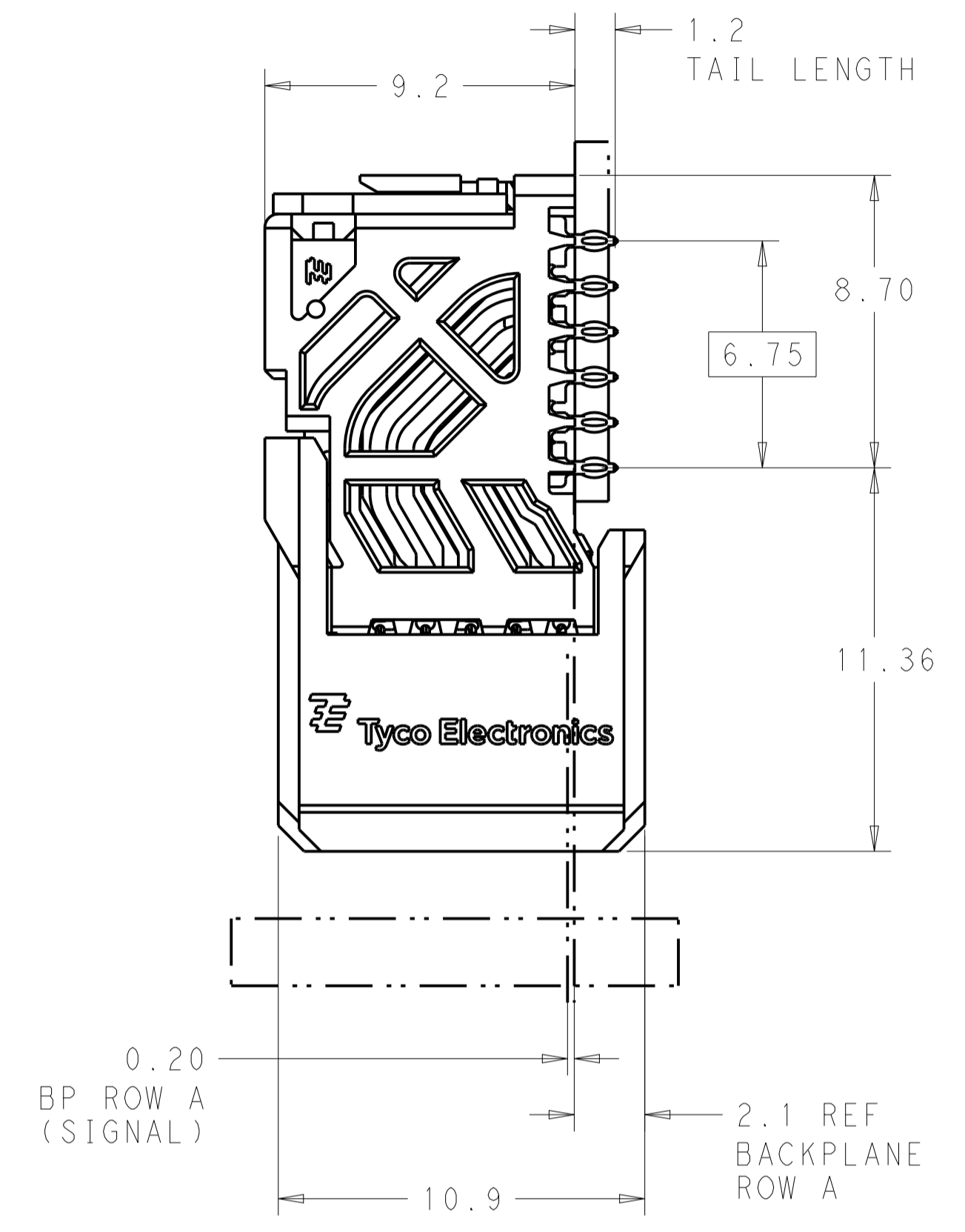
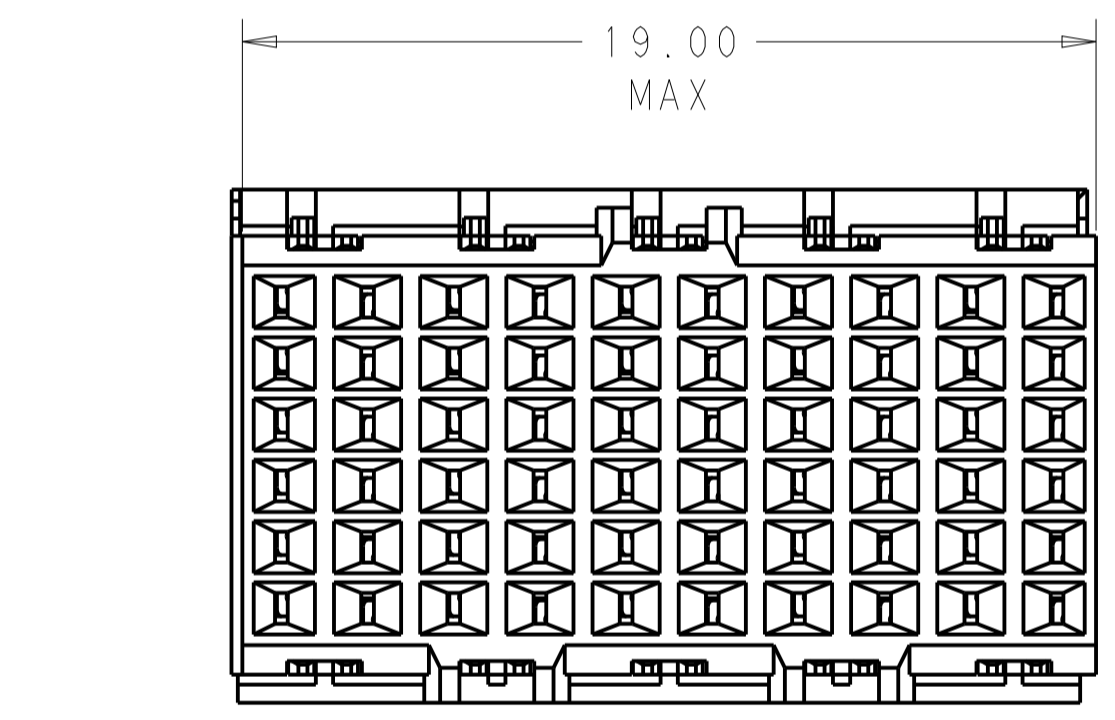
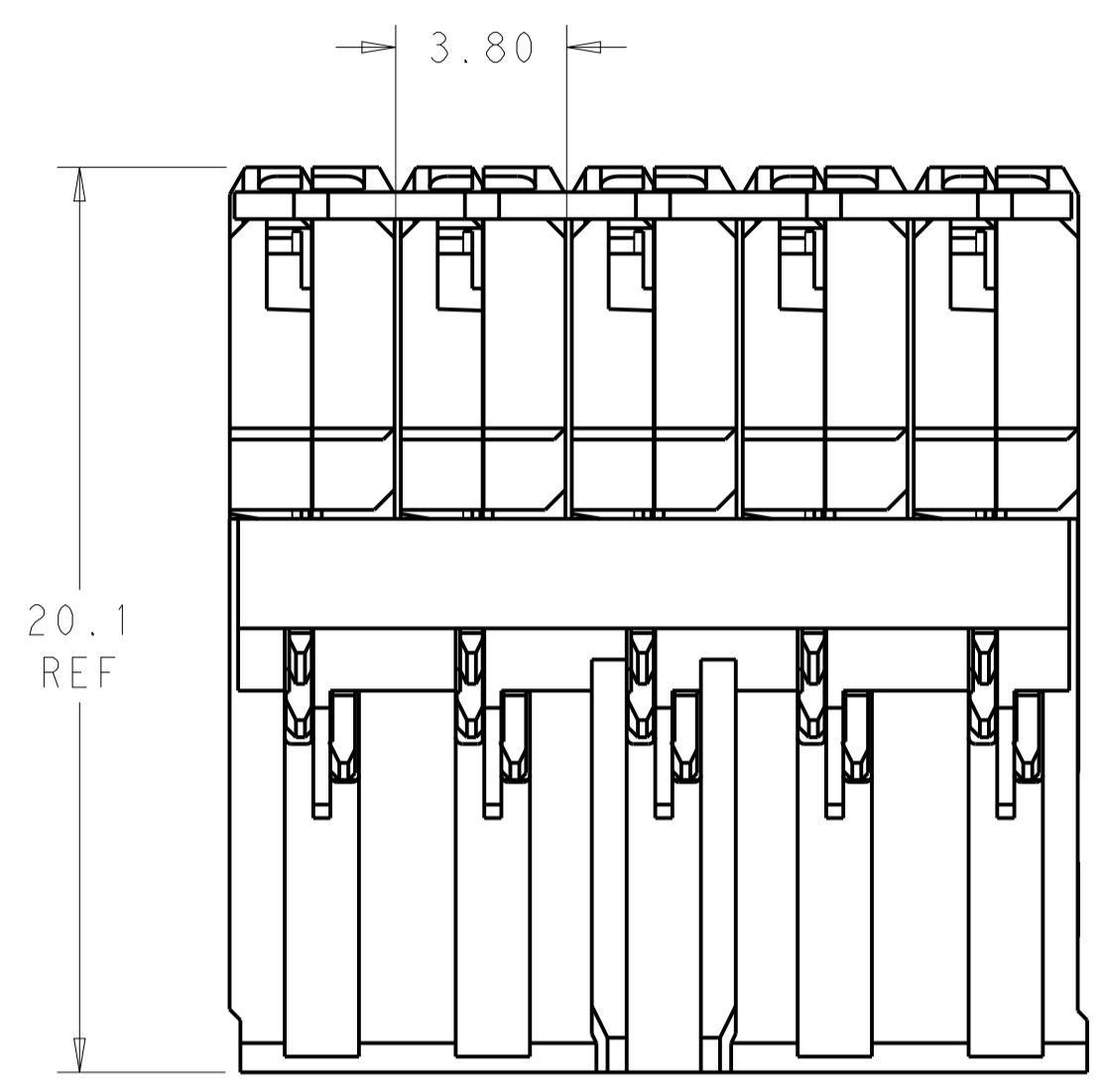
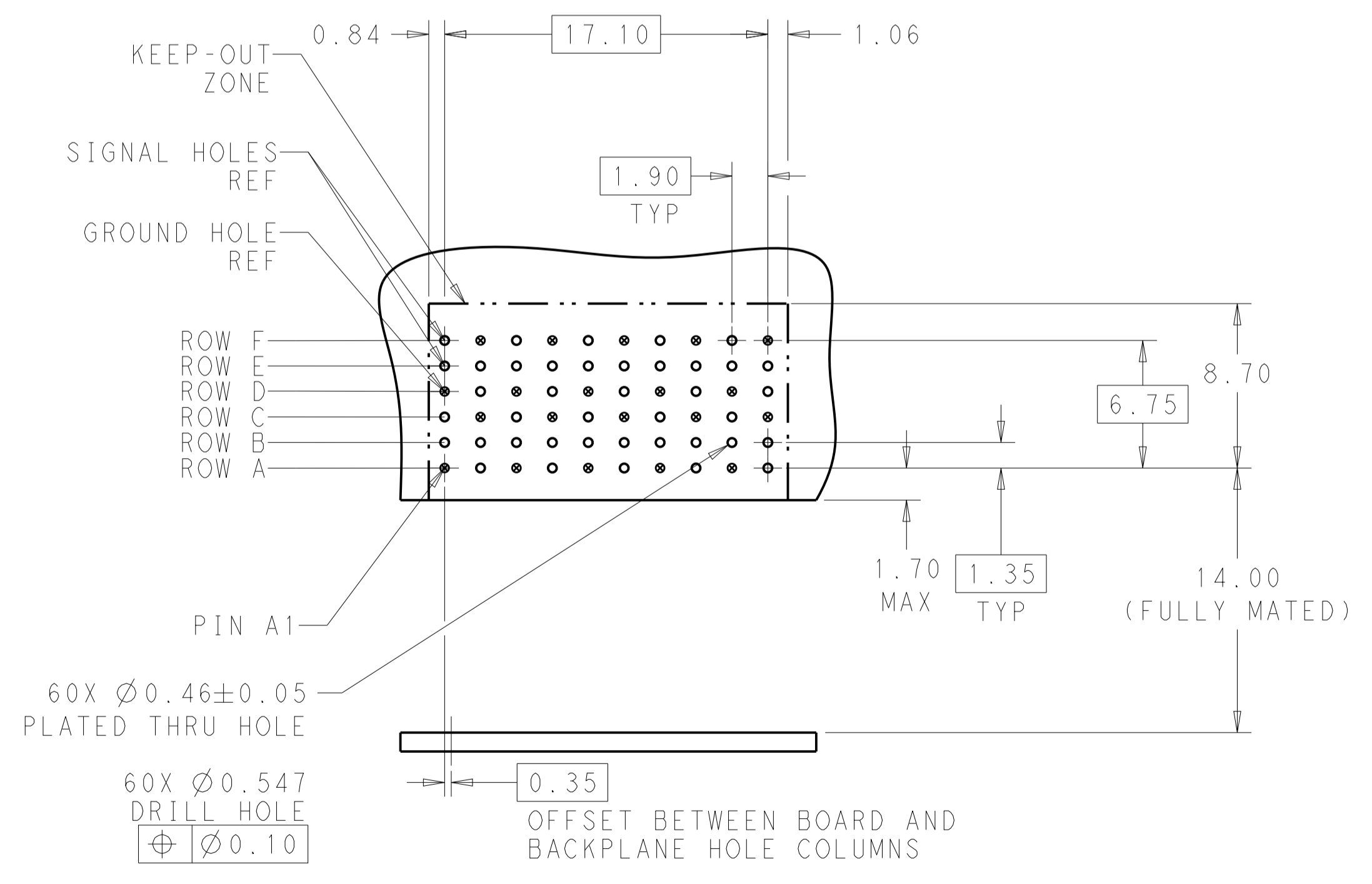


REVISIONS				
P.	LTR.	DESCRIPTION	DATE	APVD
A		REVISED PER ECO-14-017984	01DEC2014	AP DD



SCALE 4:1

REFER TO WWW.TE.COM FOR PRODUCT AVAILABILITY



RECOMMENDED PCB LAYOUT
 MIN BOARD THICKNESS 1.6

NONE	△	2057402-1
KEY POSITION	FINISH	PART NUMBER

THIS DRAWING IS A CONTROLLED DOCUMENT.		DWN KIRAN HOLAL 29OCT2012		NAME	
DIMENSIONS:		CHK D. DIXON 29OCT2012		IMPACT, 2 PAIR, DAUGHTERCARD 10 COLUMN, UNGUIDED, SIGNAL MODULE, 0.46 EYELET	
TOLERANCES UNLESS OTHERWISE SPECIFIED:		APVD D. DIXON 29OCT2012	PRODUCT SPEC		SIZE
mm			APPLICATION SPEC		CAGE CODE
Ø			WEIGHT		DRAWING NO
H			RESTRICTED TO		
MATERIAL		SEE TABLE	A100779C=2057402		
FINISH		SEE TABLE	Customer Drawing		SCALE 6:1 SHEET 1 OF 1 REV A