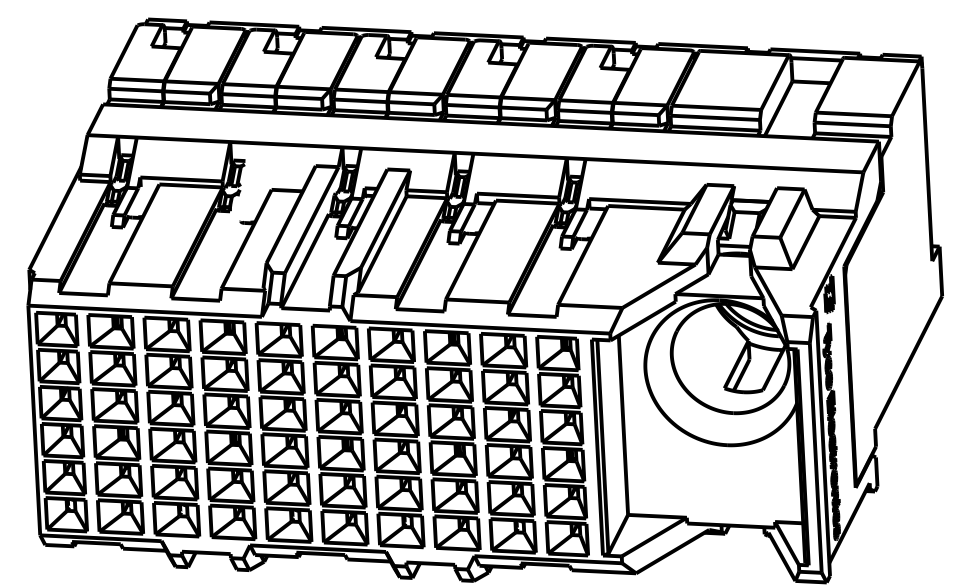
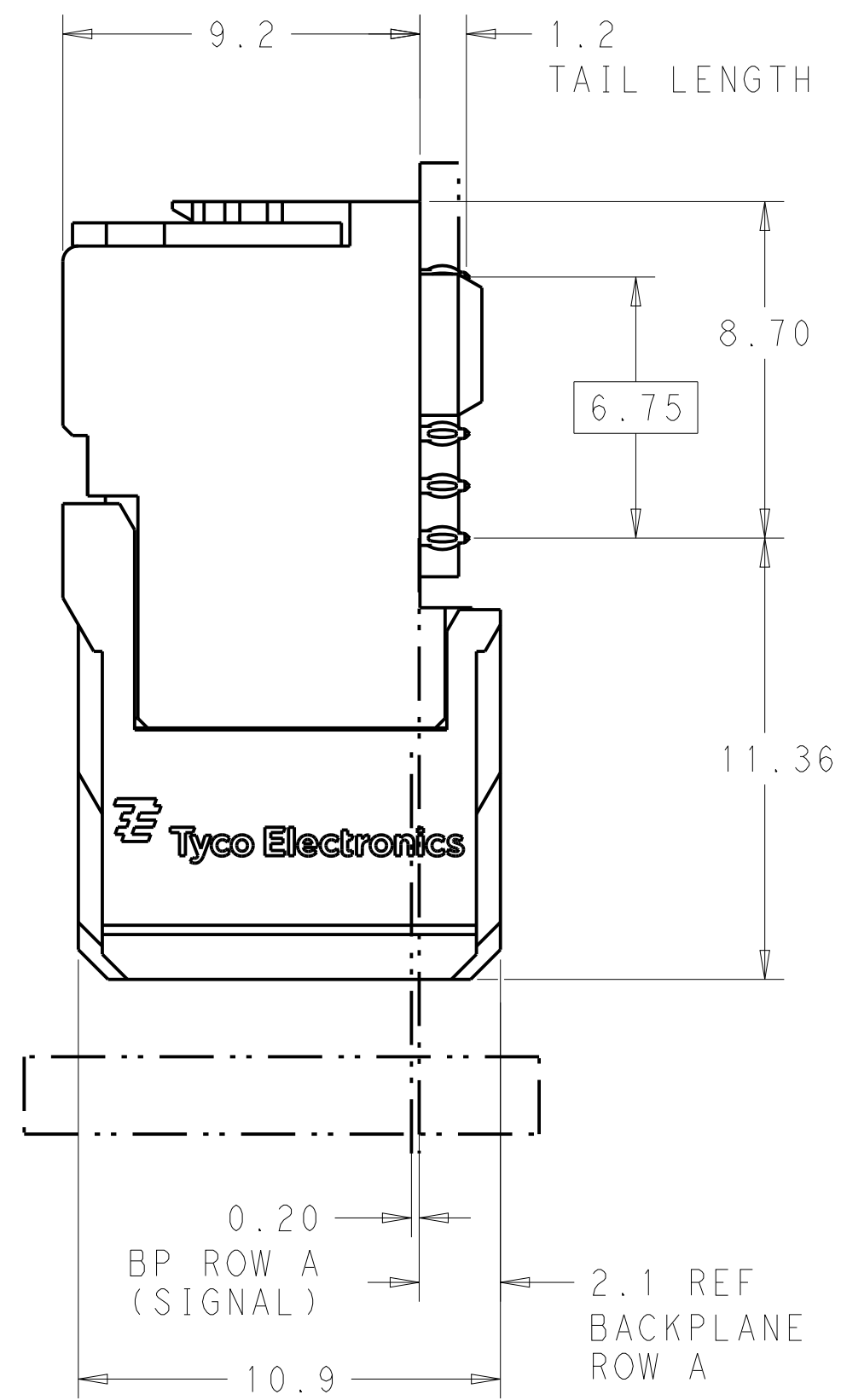
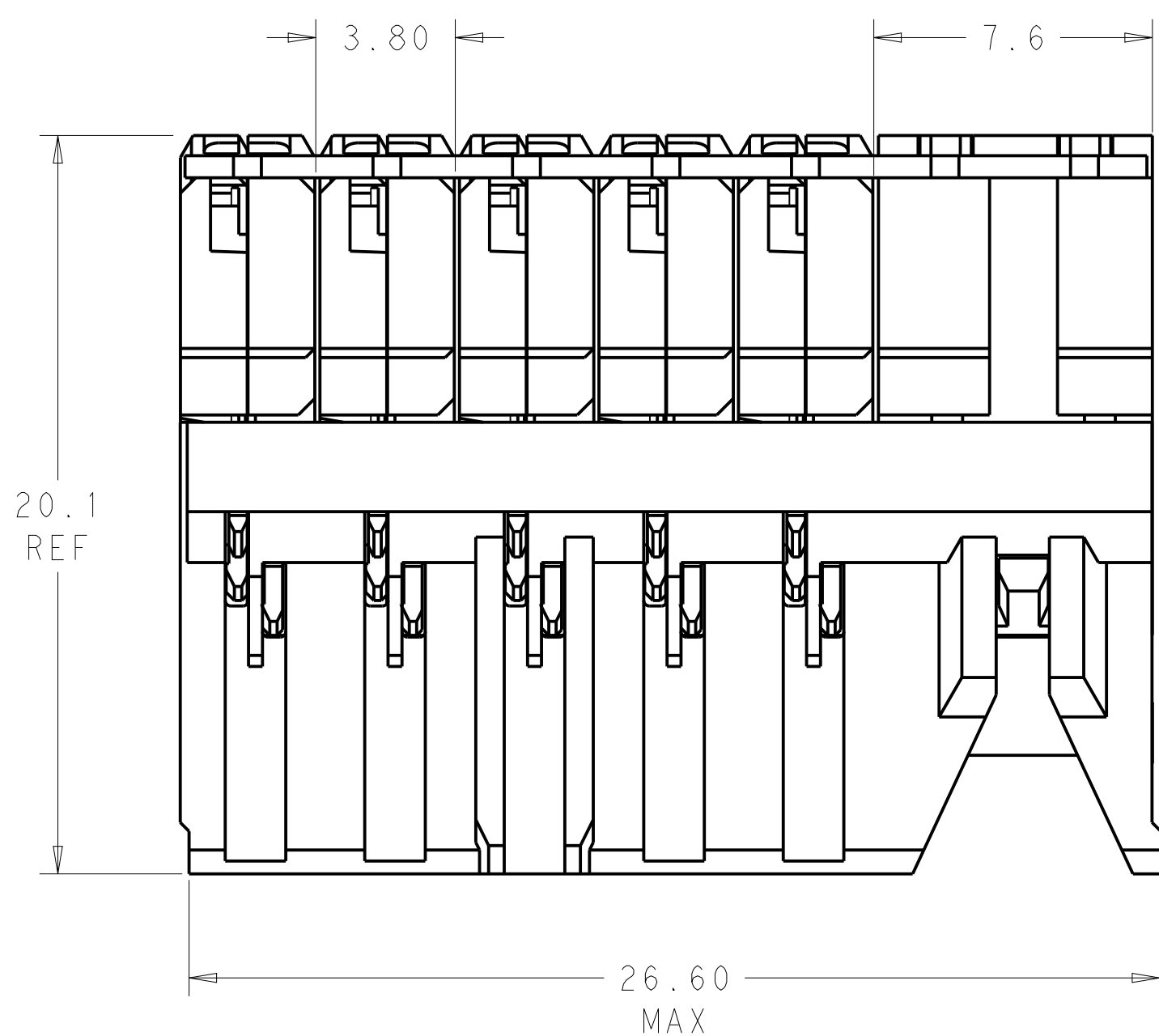


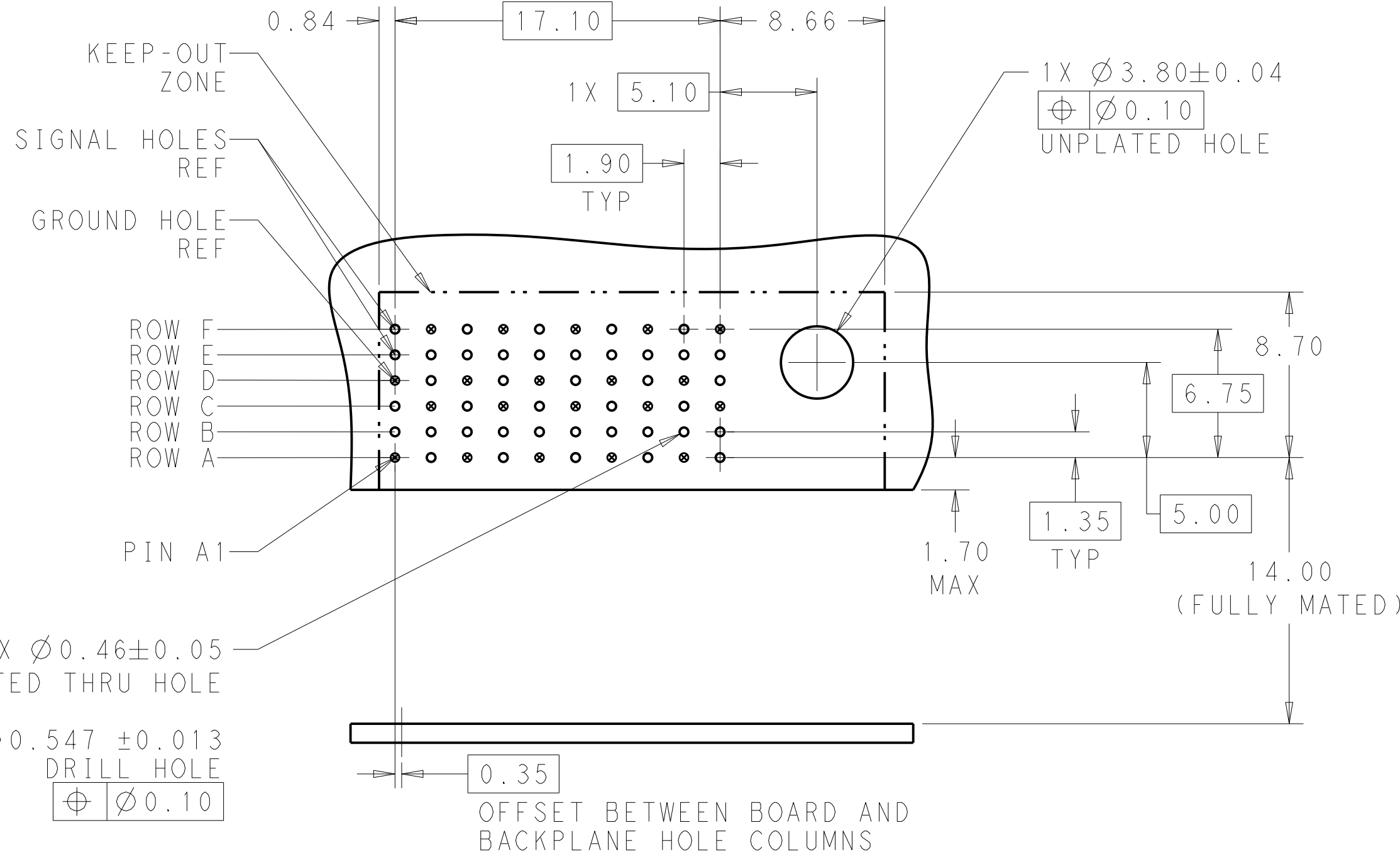
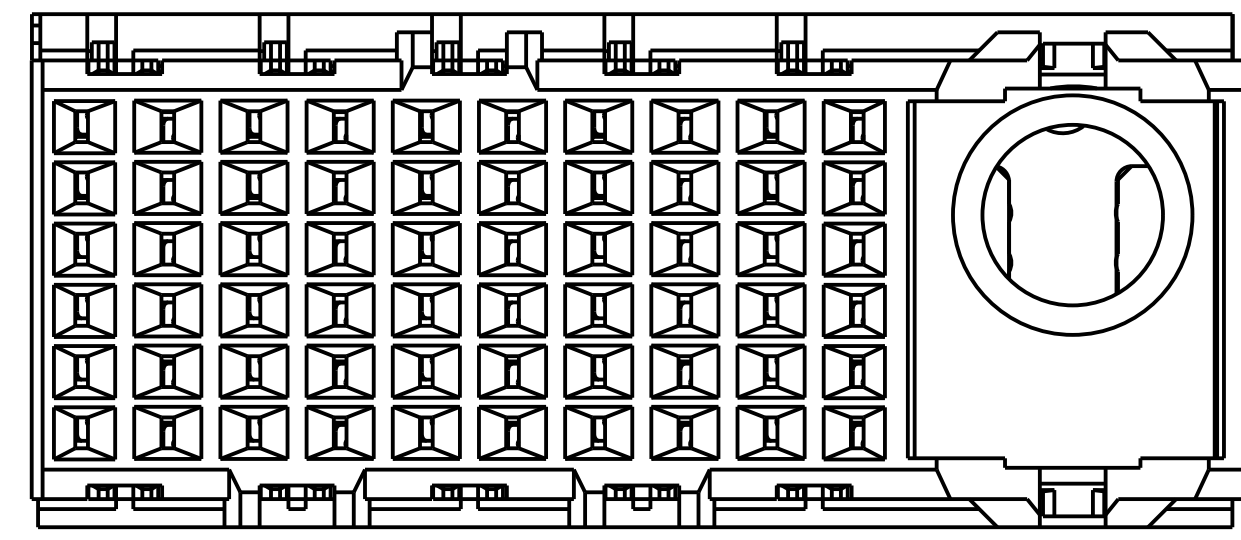
REVISIONS				
P.	LTN.	DESCRIPTION	DATE	APVD.
A		REVISED PER ECO-14-017984	01DEC2014	AP DD

⚠ MATERIAL:
 HOUSING: LCP, GLASS FILLED, UL94V-0.
 TERMINALS: HIGH PERFORMANCE COPPER ALLOY.

⚠ FINISH:
 30µ" SELECTIVE GOLD IN CONTACT AREA. SELECTIVE TIN
 ON PCB TAILS, NICKEL OVERALL.
 3. CONNECTORS SUPPLIED WITH MOUNTING SCREWS



SCALE 4:1



RECOMMENDED PCB LAYOUT
 MIN BOARD THICKNESS 1.6

REFER TO WWW.TE.COM
 FOR PRODUCT AVAILABILITY

NONE	⚠	2057401-1
KEY POSITION	FINISH	PART NUMBER

THIS DRAWING IS A CONTROLLED DOCUMENT.		OWN: KIRAN HOLAL 16NOV2012	NAME: IMPACT, 2 PAIR, DAUGHTERCARD 10 COLUMN, RIGHT GUIDED, SIGNAL MODULE, 0.46 EYELET
DIMENSIONS: mm		CHK: D. DIXON 16NOV2012	PRODUCT SPEC: -
TOLERANCES UNLESS OTHERWISE SPECIFIED:		APVD: D. DIXON 16NOV2012	APPLICATION SPEC: -
0 PLC	±	SIZE: A1	CAGE CODE: 2057401
1 PLC	±0.2	WEIGHT: -	RESTRICTED TO: -
2 PLC	±0.13	SCALE: 6:1	SHEET 1 OF 1
3 PLC	±	REV: A	
4 PLC	±		
ANGLES	±		
MATERIAL: SEE TABLE	FINISH: -	Customer Drawing	