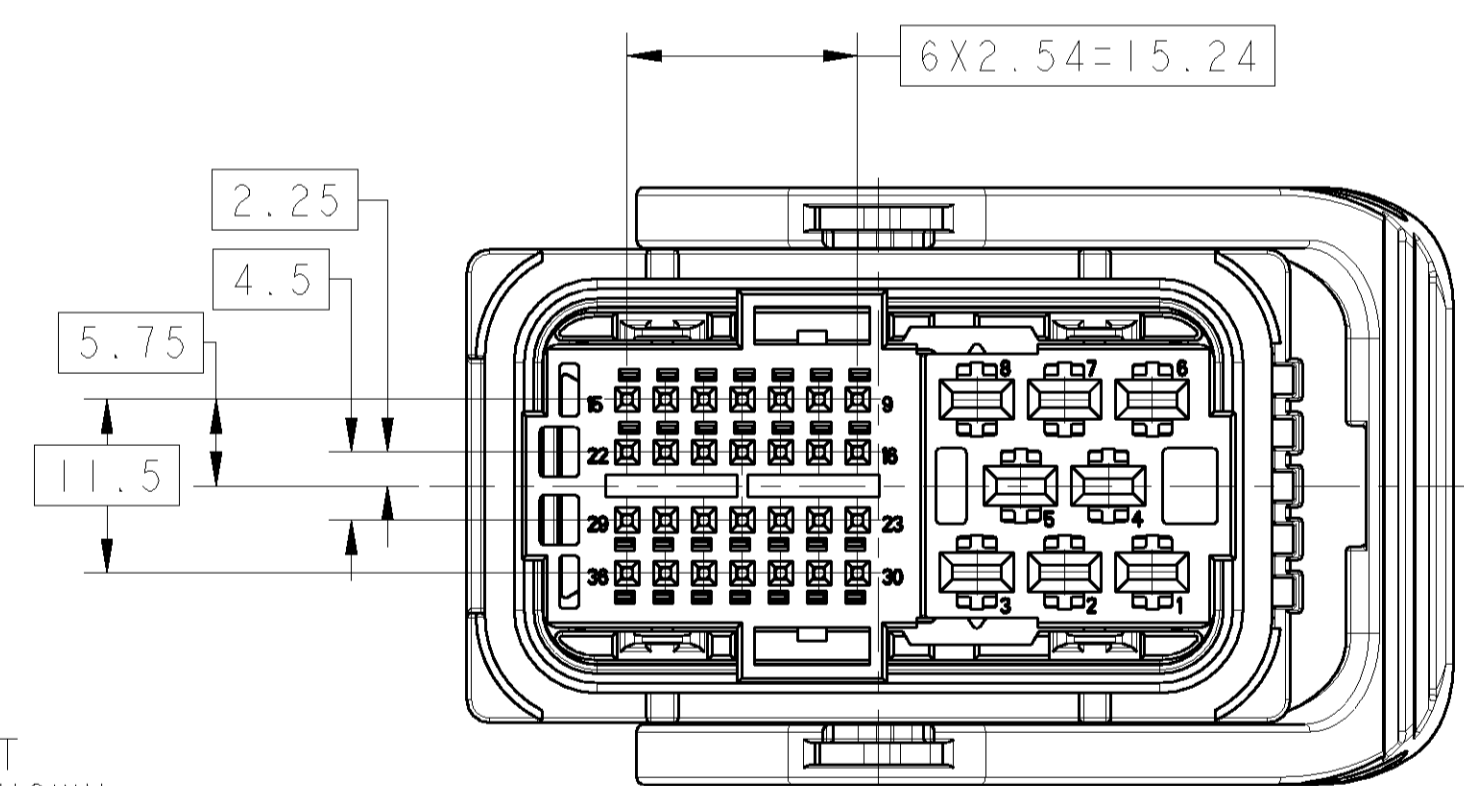
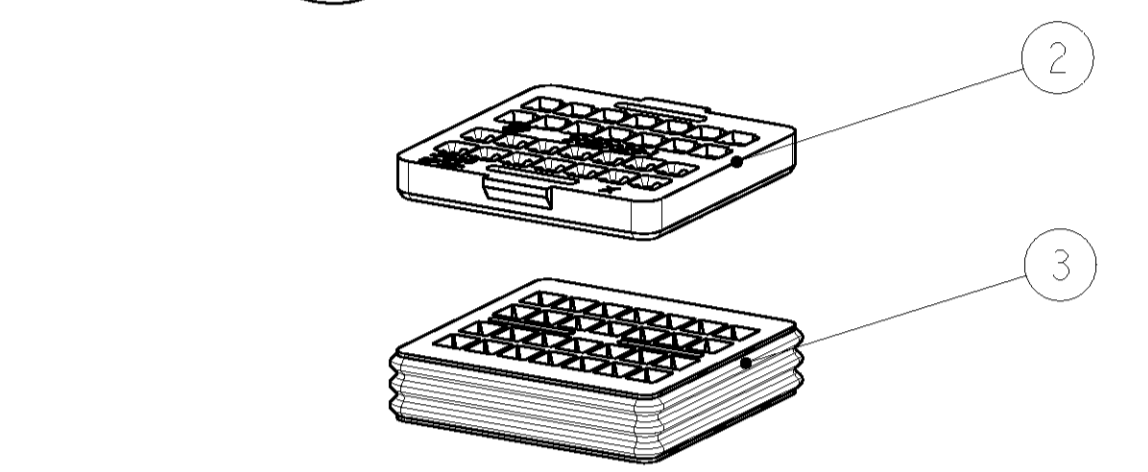
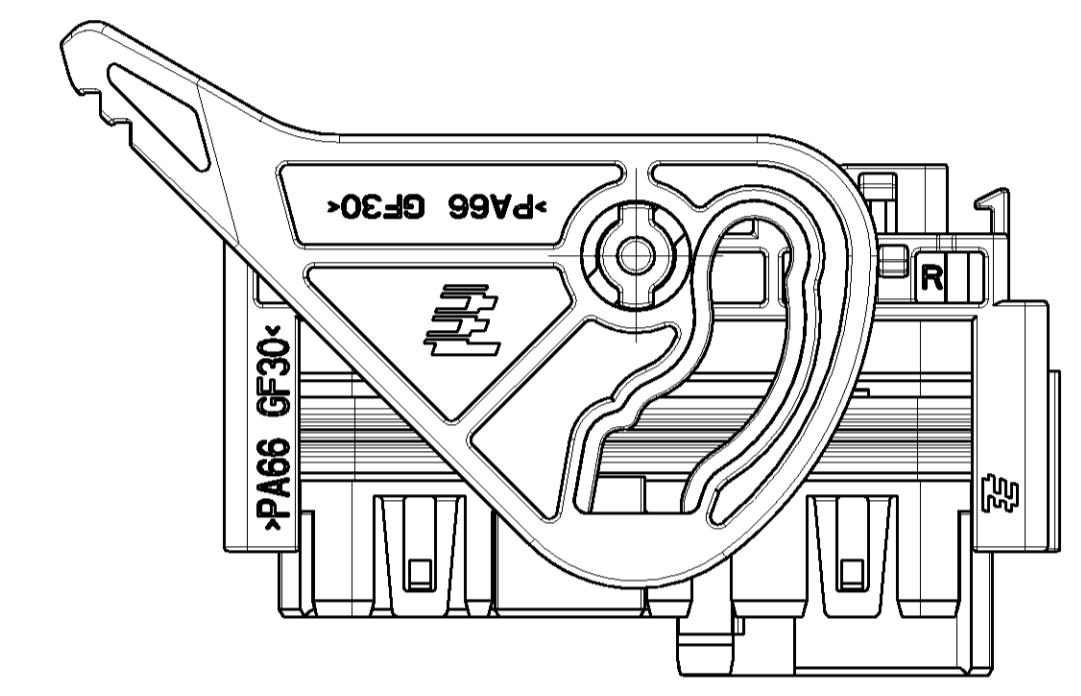
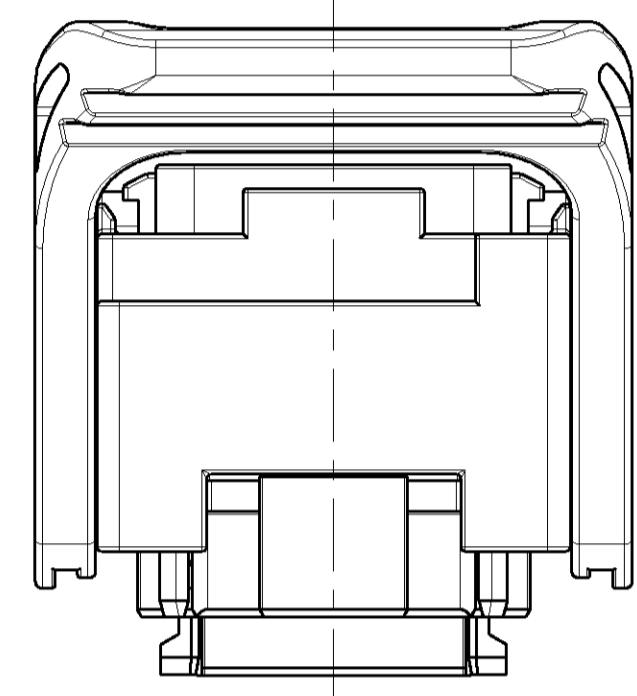
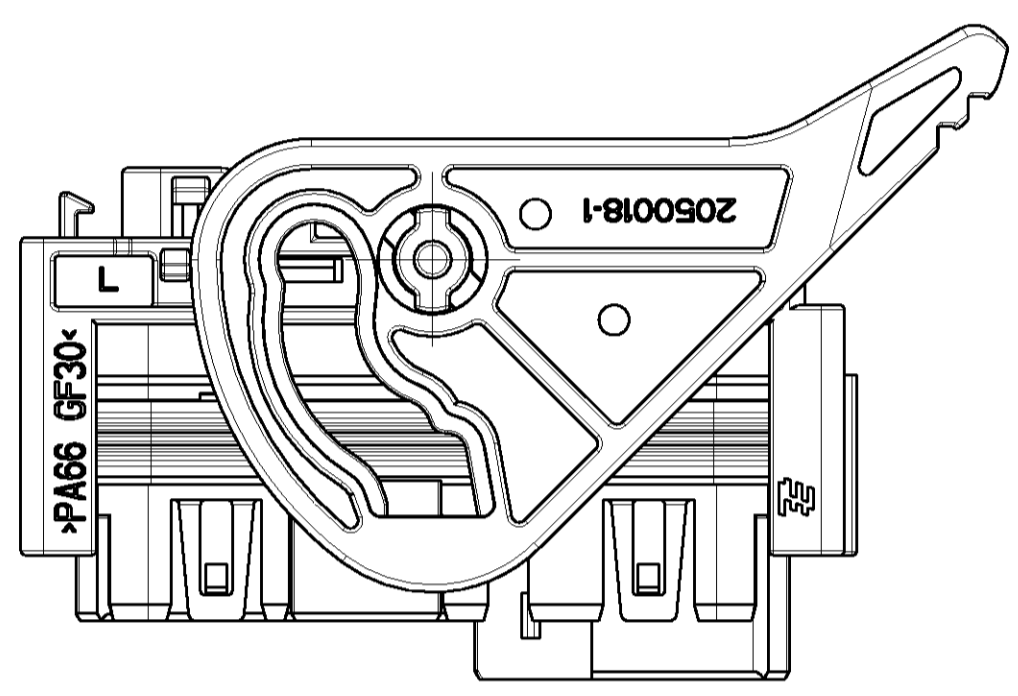
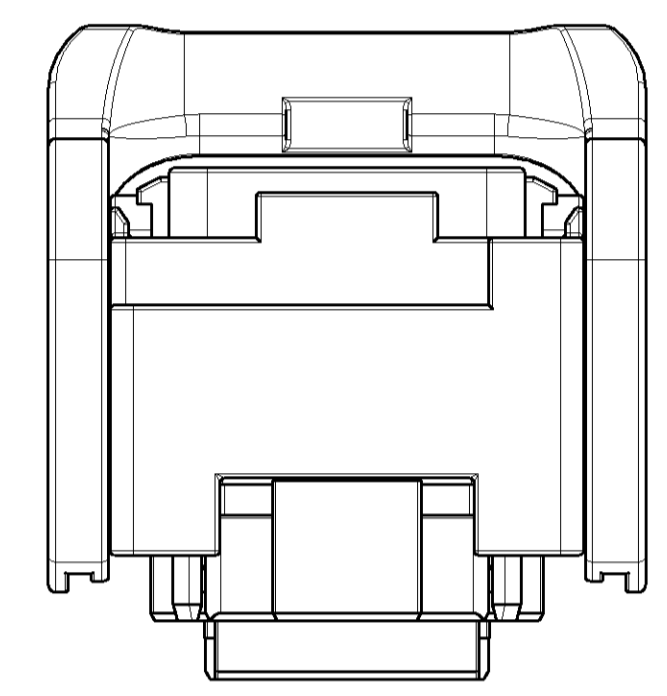
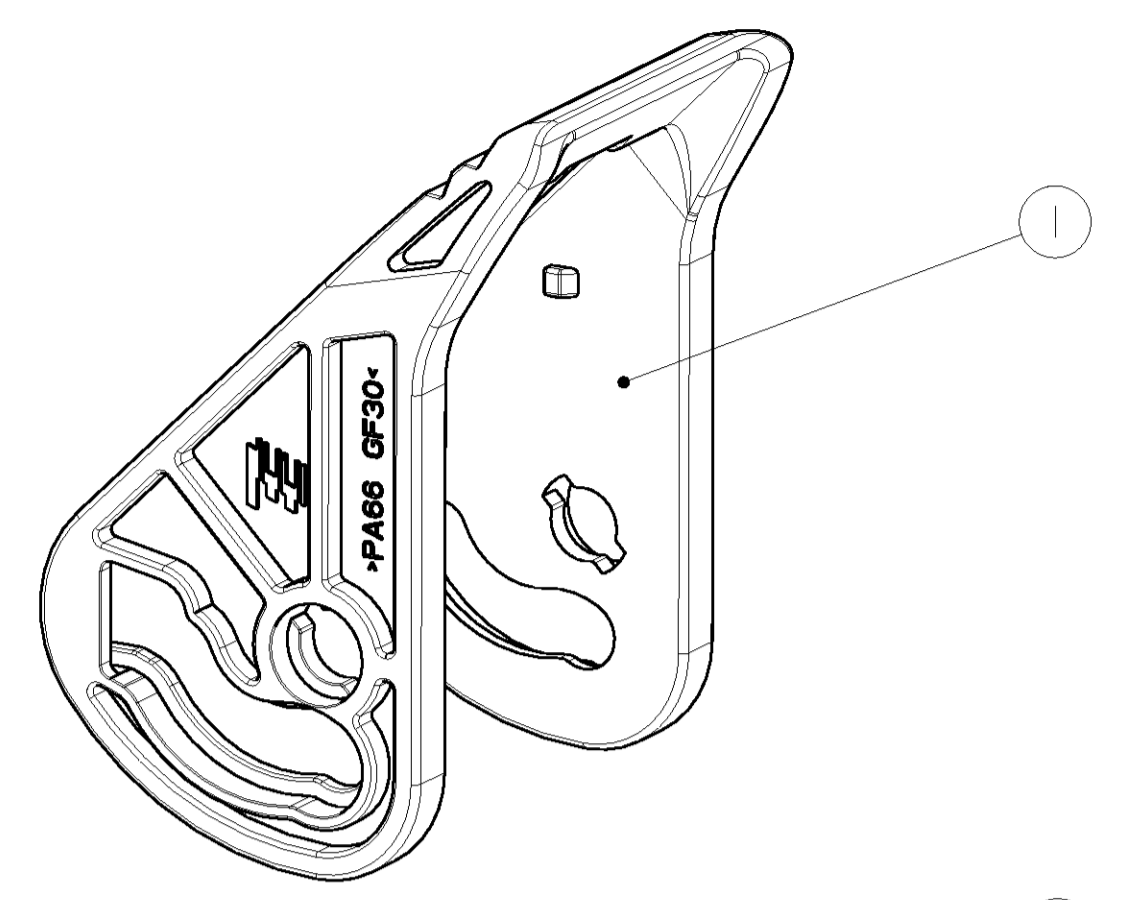
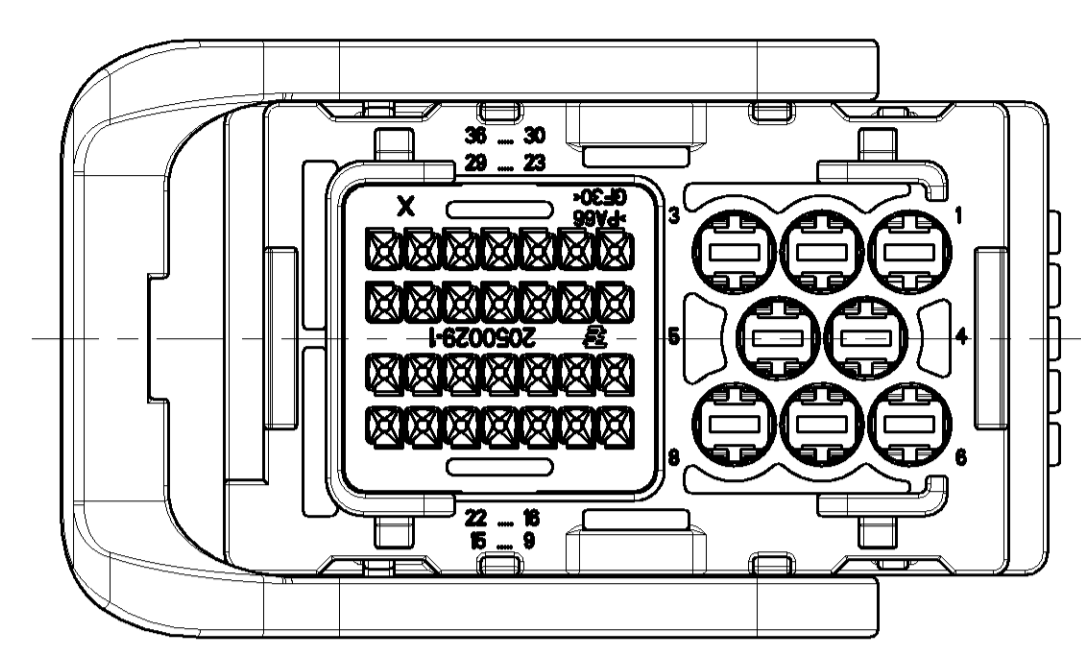
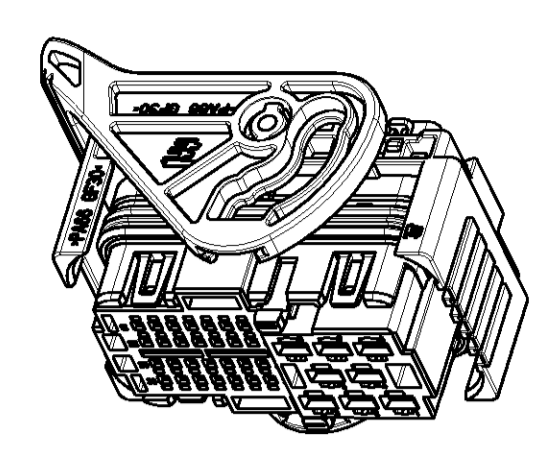
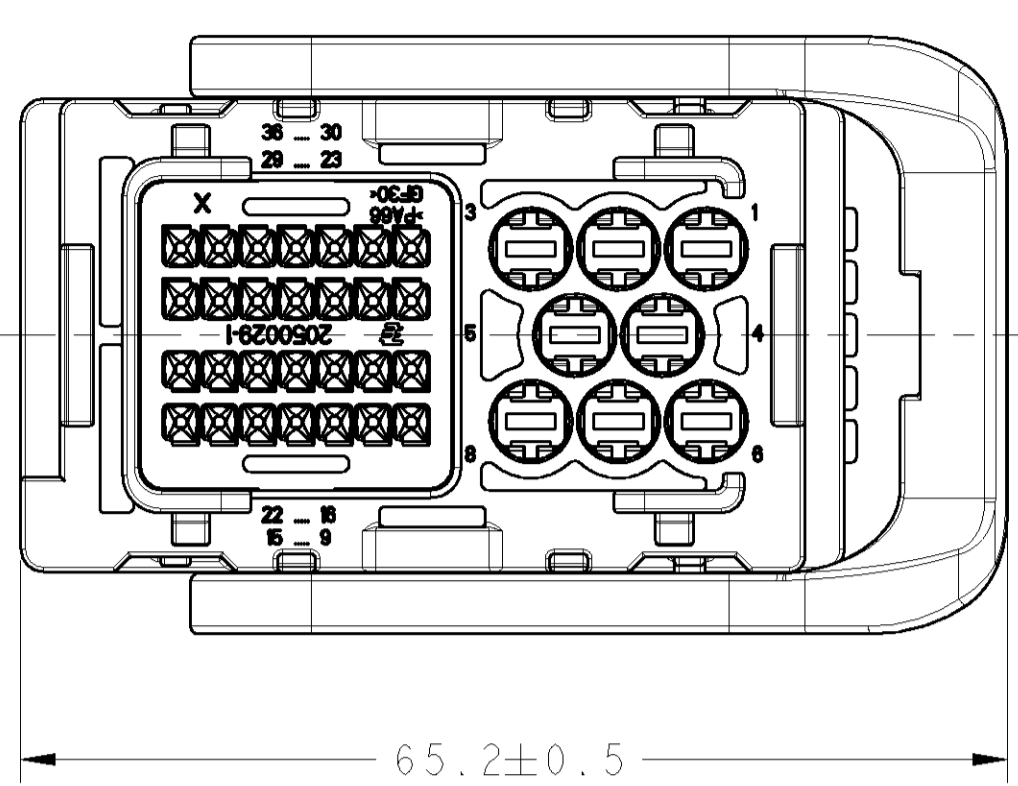
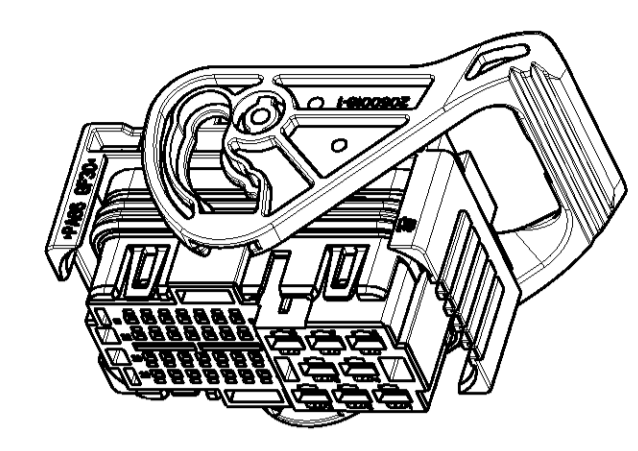
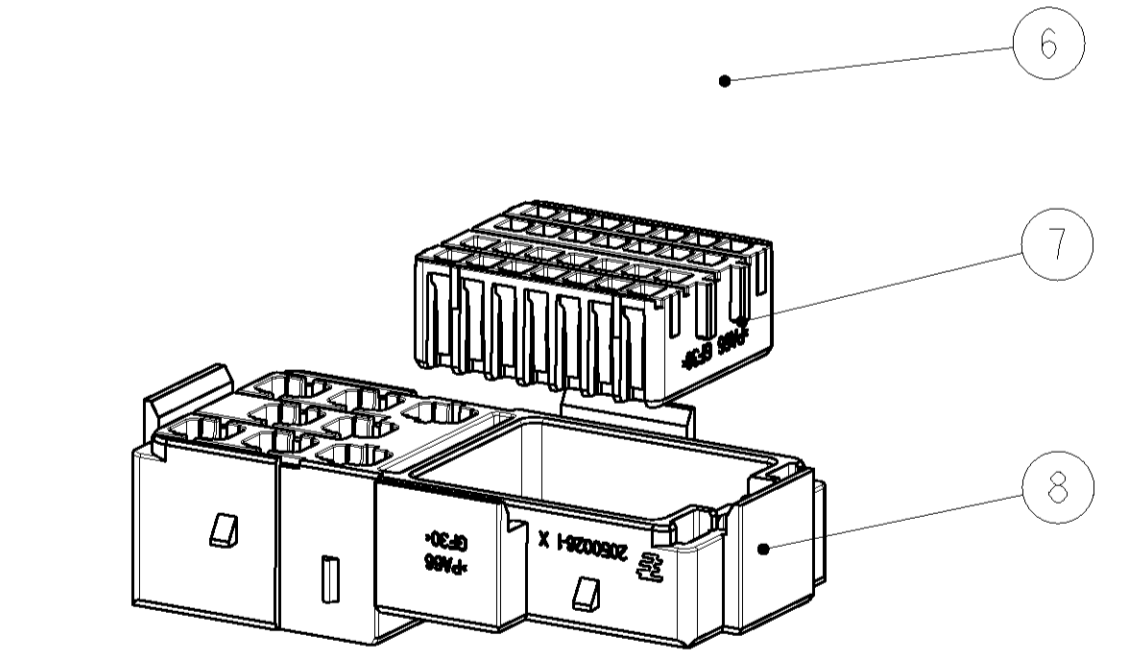
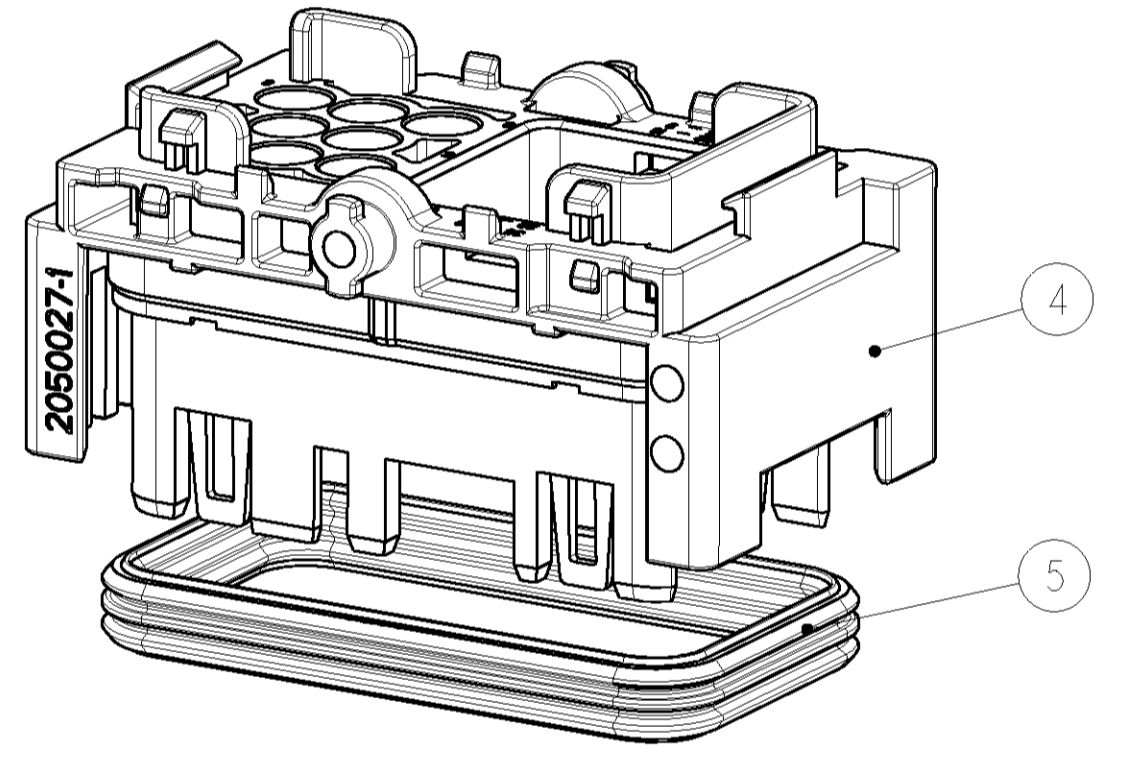


LOC	DISC	REVISIONS			
P	LTR	DESCRIPTION	DATE	OWN	APPD
ES	00	A	RELEASED	06JUN09	NZ KO



LEFT WIRE OUT
2050017-2 AS SHOWN

RIGHT WIRE OUT
2050017-1 AS SHOWN



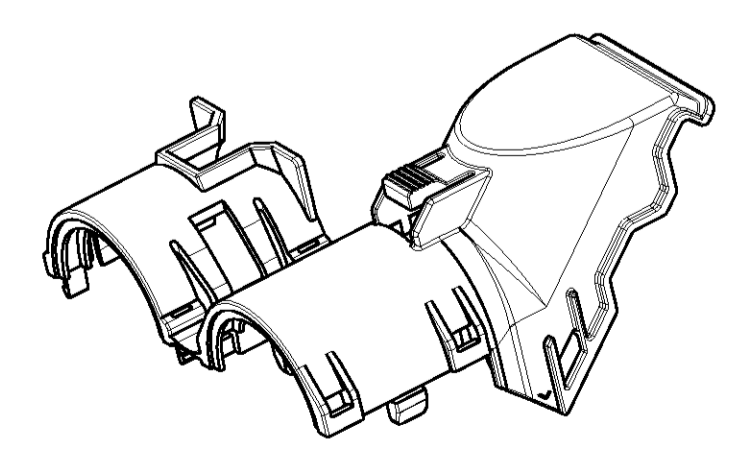
NO.	DESCRIPTION	COLOR/FINISH	POS.
1	FRONT HOUSING	BLACK	8
2	MOS HOUSING	BLACK	7
3	SEC.Y LOCKER	VIOLET	6
4	INNER SEAL	ORANGE	5
5	BASE HOUSING	BLACK	4
6	MOS SEAL	ORANGE	3
7	SEAL LOCKER	BLACK	2
8	LOCKING LEVER	GRAY	1

ACCESSORIES

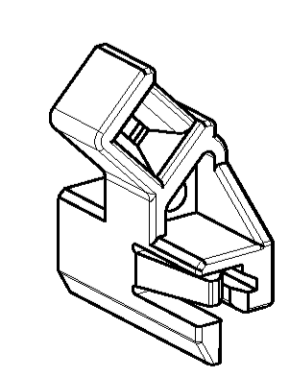
1.TOP COVER: P/N: 2050019-1

2.WIRES FIXING CLIP: P/N: 2050020-1

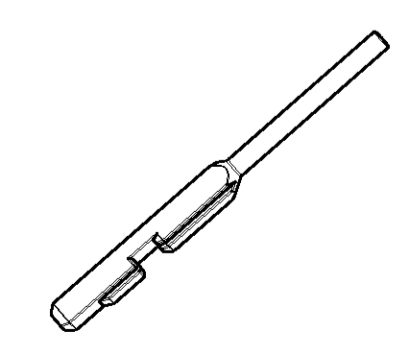
3.MQS SEALING PLUG: P/N: 2050030-1



SCALE 1:1



SCALE 2:1



SCALE 2:1

NOTES:

1. APPLIED RECEPTACLE CONTACT P/N:

DESCRIPTION	2.8mm SENSOR RECEPTACLE OR EQUIVALENT
PART NO.	1703034 OR EQU. 1703035 OR EQU.
WIRE SIZE	0.5~1.0 >1.0~2.5

DESCRIPTION	MQS CLEAN BODY RECEPTACLE CONTACT
PART NO.	968221
WIRE SIZE	0.5~0.75

2. APPLIED WIRE SEAL P/N:

DESCRIPTION	SINGLE-WIRE SEAL(5mm HOLE)
PART NO.	828904 828905
INSULATION DIA.(Φ)	1.2~2.1mm 2.2~3.0mm

DIMENSIONS: mm 		TOLERANCES UNLESS OTHERWISE SPECIFIED: 3-PLC ±0.30 1-PLC ±0.5 2-PLC ±0.13 4-PLC ±0.013 ANGLES ±0.0001		DWN: H. ZHOU 06JUN09 CHK: W. YUAN 06JUN09 APVD: K. QDA 06JUN09		Tyco Electronics Tyco Electronics Shanghai, China	
MATERIAL:		FINISH:		PRODUCT SPEC: 108-101131 APPLICATION SPEC: 114-101006		NAME: SEALED 36POS PLUG ASSEMBLY 2.8mm SENSOR RECEPTACLE CONTACT MQS CLEAN BODY RECEPTACLE CONTACT	
WEIGHT:		CUSTOMER DRAWING		SIZE: CAGE CODE: DRAWING NO: A100779C-2050017		RESTRICTED TO:	
SCALE: 2:1		SHEET: 1 OF 1		REV: A		DATE: 06JUN09	