

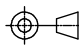


## CODE 41 - BRAID TAIL BACKSHELL

**204M016-19B08**

SERIES \_\_\_\_\_  
 ORDER NUMBER (TABLE 1) \_\_\_\_\_  
 MATERIAL \_\_\_\_\_  
   REFER TO CH00-0250-004  
 FINISH \_\_\_\_\_  
   REFER TO CH00-0250-004  
 ENTRY SIZE (TABLE 2) \_\_\_\_\_  
 MODIFICATION CODE \_\_\_\_\_  
   REFER TO CH00-0250-004 (2)

### NOTES:

1. THIS PRODUCT IS DESIGNED TO TERMINATE A HEAT SHRINKABLE LIPPED BOOT TO A CONNECTOR.
- (2) FOR ADDITIONAL DIMENSIONS, ORDERING INFORMATION AND MODIFICATIONS, SEE CH00-0250-004
3. BACKSHELL TO BE PERMANENTLY MARKED/BAGGED AND LABELLED WITH CODE IDENTIFICATION NUMBER AND PART NUMBER. (e.g. 06090-204M012-19B08).
- (4) WHEN ENTRY SIZE EXCEEDS "MAX ENTRY", A 2 PIECE BACKSHELL (TYPE 2) IS SUPPLIED.
5. BRAID TERMINATION RING MAY BE SUPPLIED AS TINEL-LOCK SHAPE MEMORY RING AT MANUFACTURERS OPTION.
6. BACKSHELL MATES TO MIL-DTL-38999 SERIES I & II, CLASS E & T, MS27466, MS27467, MS27468, MS27472, MS27473, MS27474, MS27479, MS27480, MS27481, MS27484, MS27497, MS27652, MS27653, MS27654, MS27656 CONNECTORS.

|  |                           |                    |   |  |                               |  |
|--|---------------------------|--------------------|---|--|-------------------------------|--|
| DRAWN  | K.WINCZURA                | DATE<br>17/04/2015 | <br>3RD ANGLE<br>PROJECTION<br>NOT TO<br>SCALE | TITLE:   | <h3>BRAID TAIL BACKSHELL</h3> | <br><b>Polamco</b><br><br>TE<br>connectivity |
| CHECKED  |                           | 17/04/2015         |   | ASSY USED ON:  |                               |  |
| APPROVED   | K.SHEPPARD                | 27/04/2015         | UNLESS OTHERWISE SPECIFIED<br>ALL DIMENSIONS IN MILLIMETRES<br>GENERAL TOL<br>LINEAR +/-0.25MM<br>ANGULAR +/- 1°                  |  |                               |  |
| APPROVED   | H.SMITH                   | 01/09/2015         |   |  |                               |  |
| REVISIONS  |                           |                    |   |  |                               |  |
| LTR  | DESCRIPTION               | DATE               | APPROVED  |  |                               |  |
| M  | REVISED PER ECN AD930     |                    |   |  |                               |  |
| N  | REVISED PER ECO-15-012000 | 01/09/2015         | H.SMITH   |  |                               |  |
| TE CAGE CODE: 06090<br>POLAMCO/TE CAGE CODE: U5792 |                           |                    |   | TE CONNECTIVITY - POLAMCO LTD RESERVES THE RIGHT TO AMEND THIS DRAWING AND THE INFORMATION SET FORTH HEREON AT ANY TIME. USERS SHOULD INDEPENDENTLY EVALUATE THE SUITABILITY OF THE PRODUCT FOR THEIR APPLICATION. |                               |  |
|  |                           |                    |   | DRAWING NO:  | DRAWING REV:                  | SHT  |
|  |                           |                    |   | <b>204M0XX</b>   | <b>N</b>                      | <b>1</b>   |

IF MAX ENTRY IS EXCEEDED BACKSHELL  
WILL BE SUPPLIED AS TYPE 2

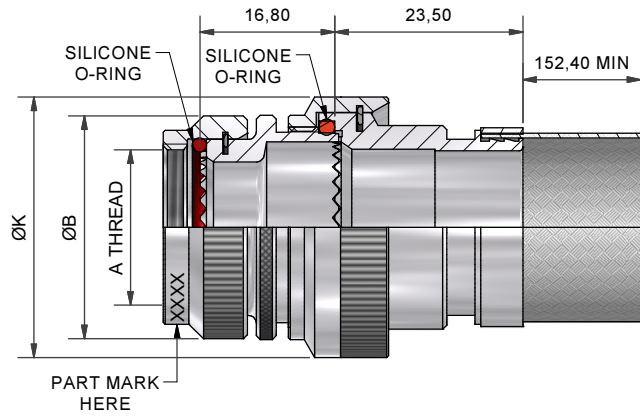
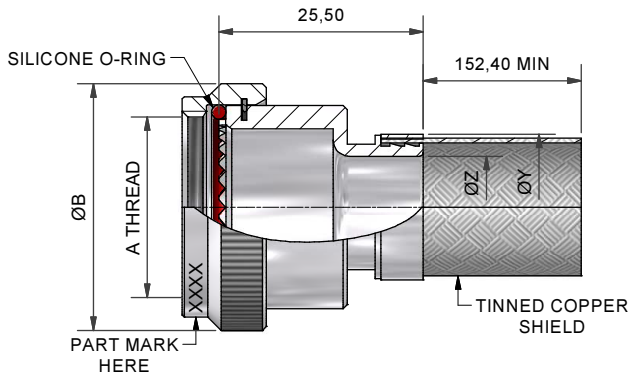


TABLE 1

| ORDER NUMBER | SHELL SIZE SER 1 / SER 2 | A THREAD      | ØB MAX | MAX ENTRY |
|--------------|--------------------------|---------------|--------|-----------|
| 08           | 09 / 08                  | 7/16-28UNEF   | 18,3   | 04        |
| 10           | 11 / 10                  | 9/16-24UNEF   | 21,5   | 06        |
| 12           | 13 / 12                  | 11/16-24UNEF  | 24,5   | 08        |
| 14           | 15 / 14                  | 13/16-20UNEF  | 27,8   | 10        |
| 16           | 17 / 16                  | 15/16-20UNEF  | 30,8   | 12        |
| 18           | 19 / 18                  | 1 1/16-18UNEF | 34,1   | 13        |
| 20           | 21 / 20                  | 1 3/16-18UNEF | 37,3   | 15        |
| 22           | 23 / 22                  | 1 5/16-18UNEF | 40,5   | 17        |
| 24           | 25 / 24                  | 1 7/16-18UNEF | 43,7   | 18        |

TABLE 2

| ENTRY SIZE | ØK MAX | ØZ REF | ØY REF |
|------------|--------|--------|--------|
| 03         | NA     | 4,77   | 13,1   |
| 04         | NA     | 6,35   | 13,1   |
| 05         | 21,0   | 7,92   | 13,1   |
| 06         | 21,0   | 9,52   | 17,9   |
| 07         | 21,0   | 11,12  | 17,9   |
| 08         | 24,5   | 12,70  | 17,9   |
| 09         | 24,5   | 14,27  | 17,9   |
| 10         | 29,0   | 15,87  | 24,2   |
| 11         | 32,5   | 17,47  | 24,2   |
| 12         | 32,5   | 19,05  | 24,2   |
| 13         | 35,5   | 20,62  | 24,2   |
| 14         | 35,5   | 22,23  | 30,6   |
| 15         | 37,0   | 23,82  | 30,6   |
| 16         | 37,0   | 25,40  | 30,6   |
| 17         | 40,0   | 26,98  | 33,2   |
| 18         | 40,0   | 28,60  | 33,2   |
| 20         | 43,5   | 31,80  | 42,0   |
| 21         | 48,5   | 33,34  | 42,0   |
| 22         | 48,5   | 35,00  | 42,0   |
| 24         | 52,1   | 38,10  | 42,0   |
| 28         | 58,5   | 44,45  | 49,0   |

|  |                           |            |            |
|--|---------------------------|------------|------------|
| DRAWN  | K.WINCZURA                | DATE       | 17/04/2015 |
| CHECKED  |                           | DATE       | 17/04/2015 |
| APPROVED   | K.SHEPPARD                | DATE       | 27/04/2015 |
| APPROVED   | H.SMITH                   | DATE       | 01/09/2015 |
| REVISIONS  |                           |            |            |
| LTR  | DESCRIPTION               | DATE       | APPROVED   |
| M  | REVISED PER ECN AD930     |            |            |
| N  | REVISED PER ECO-15-012000 | 01/09/2015 | H.SMITH    |
| TE CAGE CODE: 06090<br>POLAMCO/TE CAGE CODE: U5792 |                           |            |            |



3RD ANGLE  
PROJECTION  
NOT TO  
SCALE

UNLESS OTHERWISE SPECIFIED  
ALL DIMENSIONS IN MILLIMETRES  
GENERAL TOL  
LINEAR +/-0,25MM  
ANGULAR +/- 1°

TITLE:

BRAID TAIL BACKSHELL

ASSY USED ON:

MIL-DTL-38999 SERIES I & II

TE CONNECTIVITY - POLAMCO LTD RESERVES THE RIGHT TO AMEND THIS DRAWING  
AND THE INFORMATION SET FORTH HEREON AT ANY TIME. USERS SHOULD  
INDEPENDENTLY EVALUATE THE SUITABILITY OF THE PRODUCT FOR THEIR APPLICATION.

DRAWING NO:  
**204M0XX**

DRAWING REV:  
**N**

SHT  
**2**

