

REVISIONS				
P	LTR	DESCRIPTION	DATE	APVD
	B	PRODUCTION ISSUE	05FEB2019	PNT MT

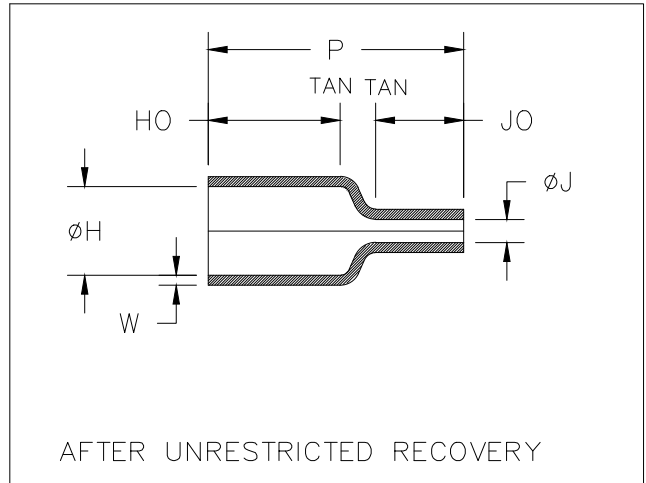
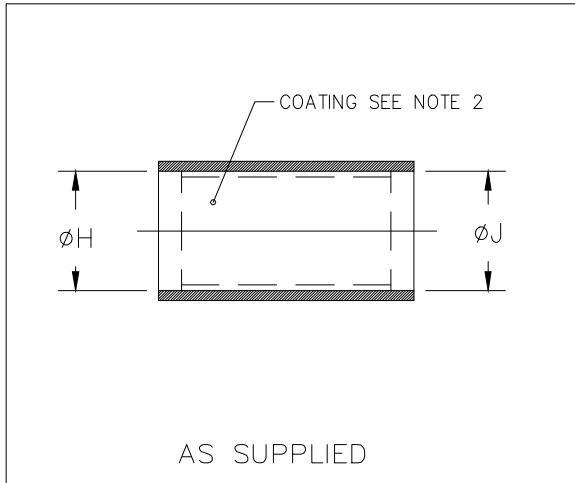



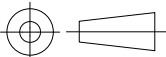
TABLE OF DIMENSIONS								
PART NUMBER	H		J		P ±10%	HO ±10%	JO ±10%	W ±20%
	Min	Max	Min	Max				
	a	b	a	b	b	b	b	b
204A121-3-01	20.3 [.80]	12.4 [.49]	15.7 [.62]	3.5 [0.14]	32.5 [1.28]	16.7 [.66]	10.2 [.40]	1.3 [.05]

RELEASED FOR PUBLICATION

ALL RIGHTS RESERVED.

THIS DRAWING IS UNPUBLISHED.

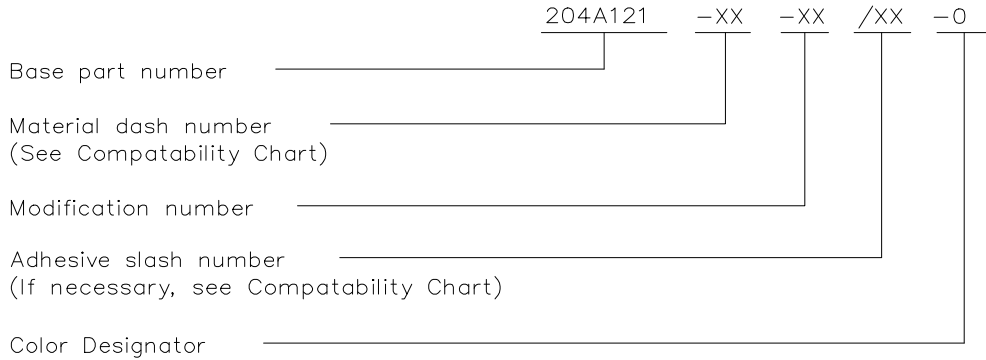
© COPYRIGHT - TE Connectivity Ltd.

DIMENSIONS: mm [INCHES]	DWN PRAVEEN N T	05FEB2019	MATERIAL SEE SHEET 2	FINISH -
	CHK N NAGAR	05FEB2019	 TE Connectivity Ltd.	
TOLERANCES UNLESS OTHERWISE SPECIFIED:	APVD M TAYLOR	05FEB2019		
	0 PLC ± - 1 PLC ± - 2 PLC ± - 3 PLC ± - 4 PLC ± - ANGLES ± -	PRODUCT SPEC -	APPLICATION SPEC -	SIZE A4
	WEIGHT	DRAWING NO 204A121-3-01-0		RESTRICTED TO -
	CUSTOMER DRAWING		SCALE DNS	SHEET 1 OF 2

REVISIONS					
P	LTR	DESCRIPTION	DATE	DWN	APVD
	-	SEE SHEET 1	-	-	-

COMPATIBILITY CHART				
MATERIAL DASH NO.	MATERIAL DESCRIPTION	RT SPEC	COATING SLASH NO.	COATING SPEC
-3	POLYOLEFIN, SEMI-RIGID	RT-301	/42;/86;/180	S1017;S1048;S1030

ORDERING INFORMATION



NOTES


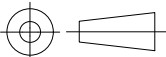
- DIMENSIONS APPEARING IN TABLE ARE AS FOLLOWS:
 - a - AS SUPPLIED
 - b - AFTER UNRESTRICTED RECOVERY
- PART TO HAVE ϕ H OVEREXPANDED

RELEASED FOR PUBLICATION

ALL RIGHTS RESERVED.

© COPYRIGHT - TE Connectivity Ltd.

THIS DRAWING IS UNPUBLISHED.

DIMENSIONS: mm [INCHES]	DWN PRAVEEN N T 05FEB2019	MATERIAL -	FINISH -
	CHK N NAGAR 05FEB2019	 TE Connectivity Ltd.	
TOLERANCES UNLESS OTHERWISE SPECIFIED:	APVD M TAYLOR 05FEB2019		
0 PLC ± -	PRODUCT SPEC	NAME BOOT, STRAIGHT	
1 PLC ± -	-	-	
2 PLC ± -	APPLICATION SPEC	SIZE	CAGE CODE
3 PLC ± -	-	A4	00779
4 PLC ± -	-	DRAWING NO	
ANGLES ± -	WEIGHT	C-204A121-3-01-0	
	CUSTOMER DRAWING		RESTRICTED TO -
		SCALE	DNS
		SHEET	2 OF 2
		REV	B