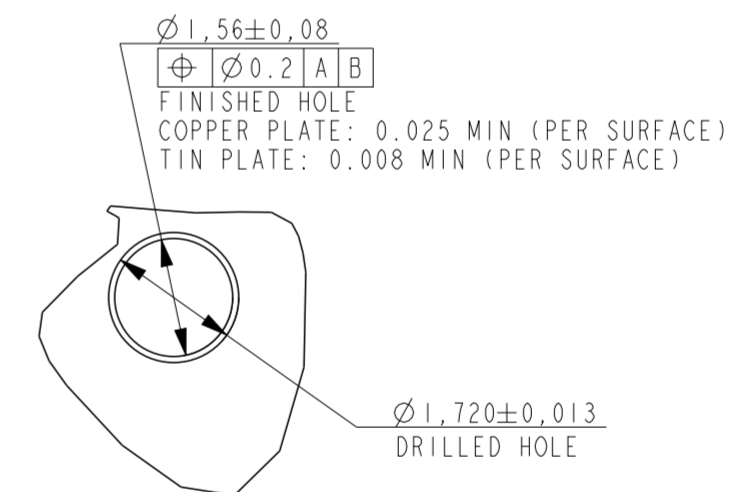
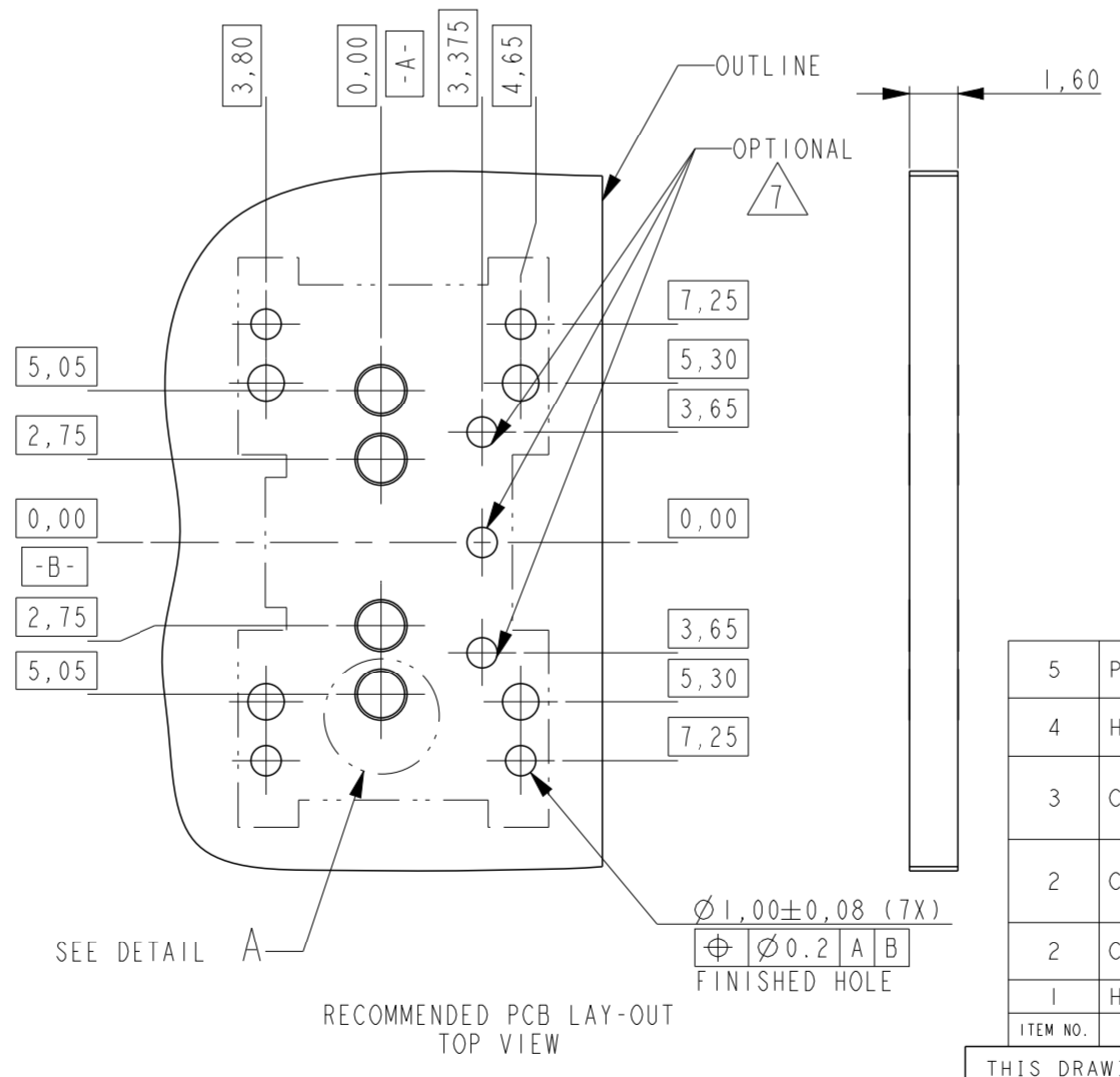
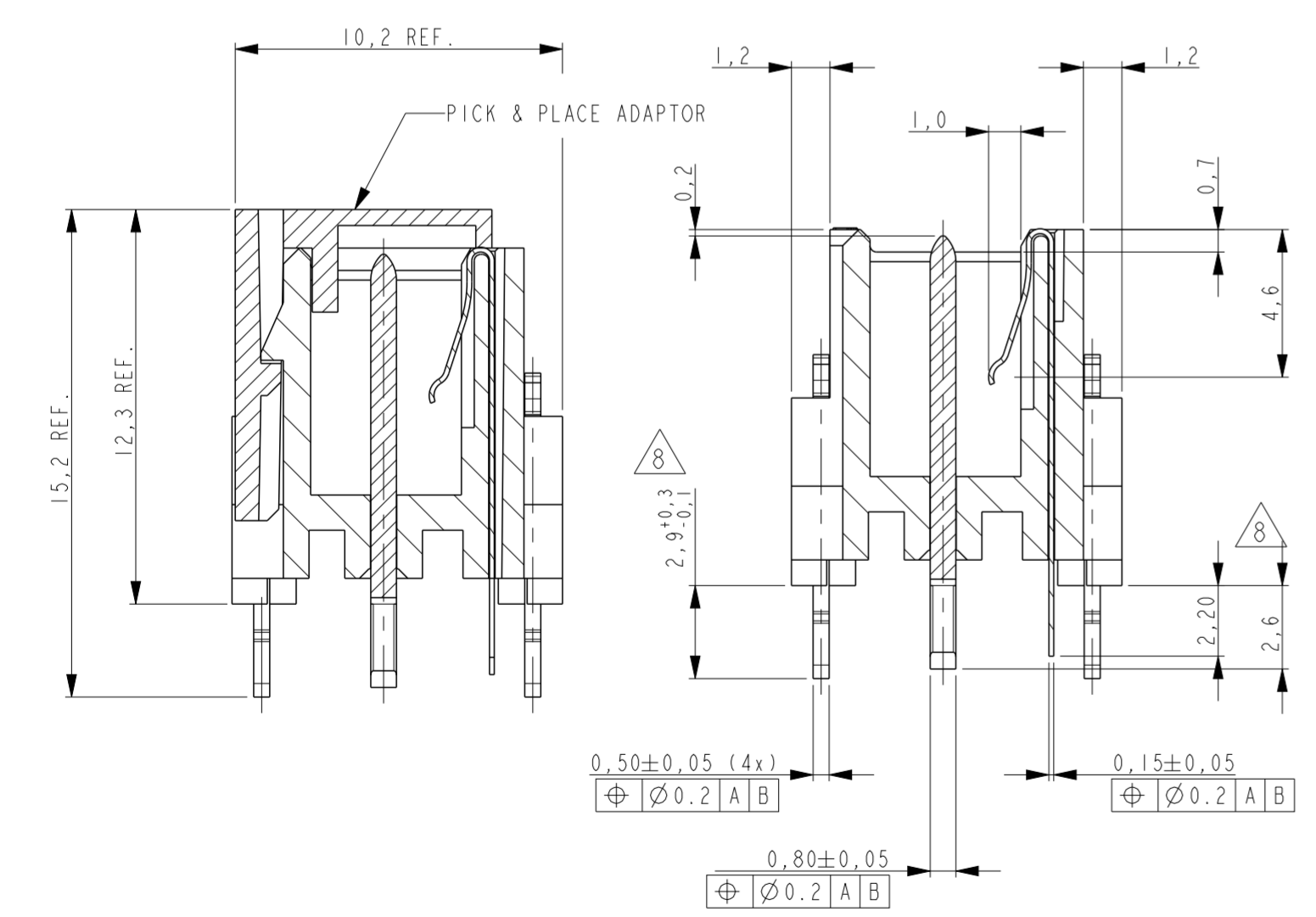
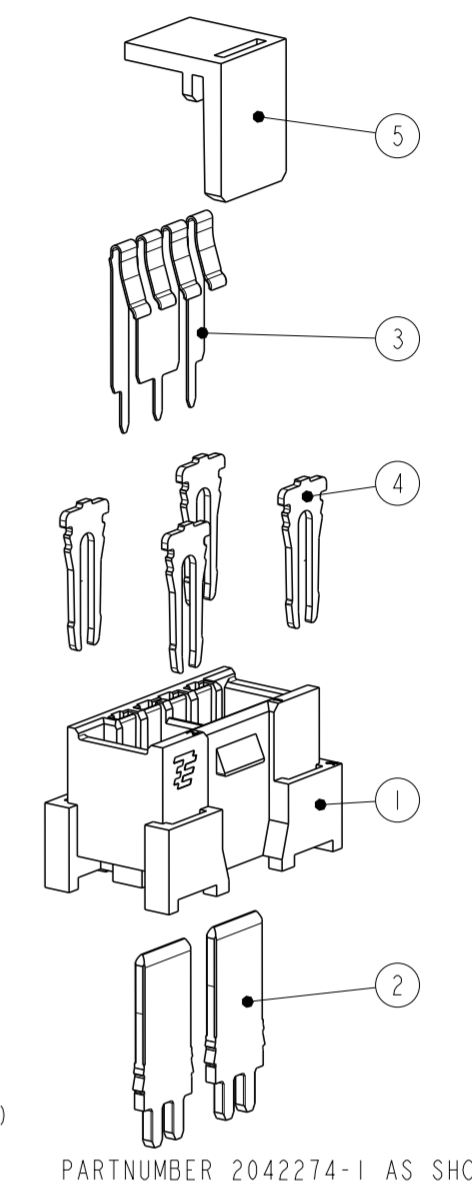
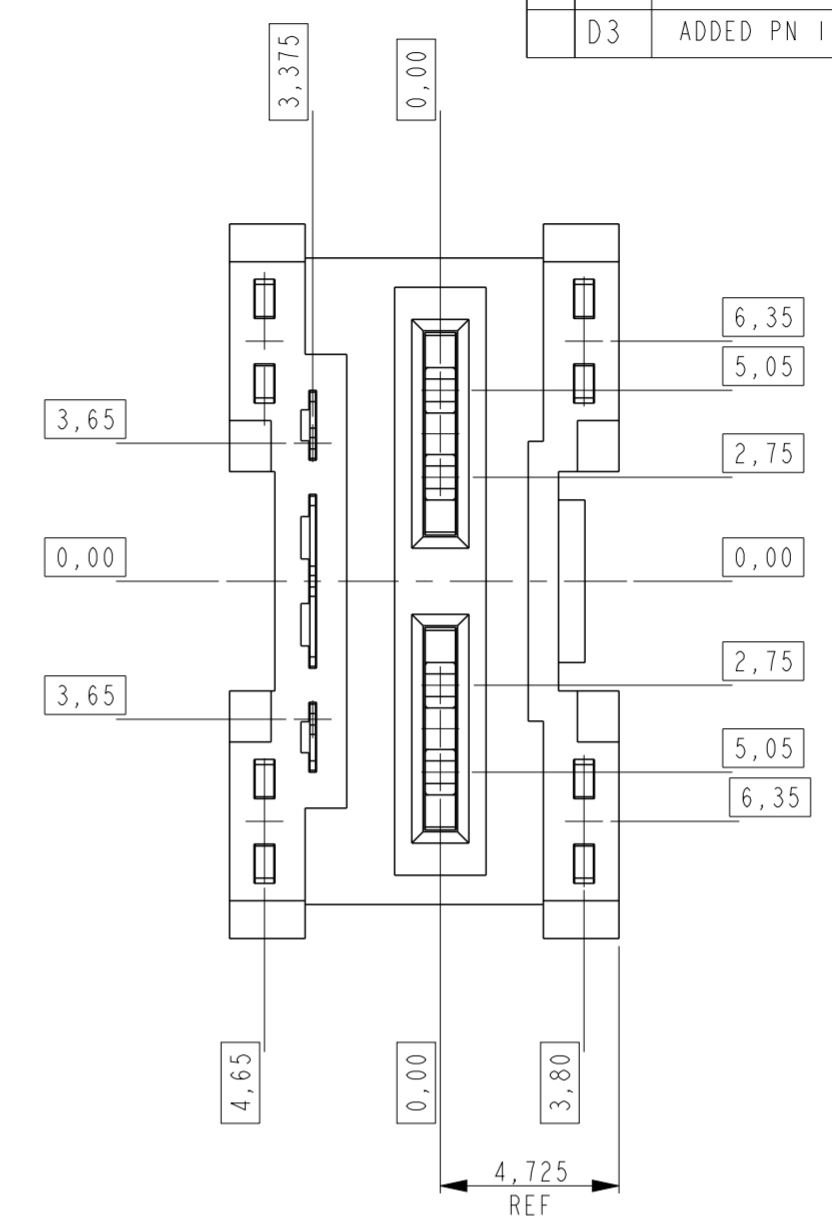
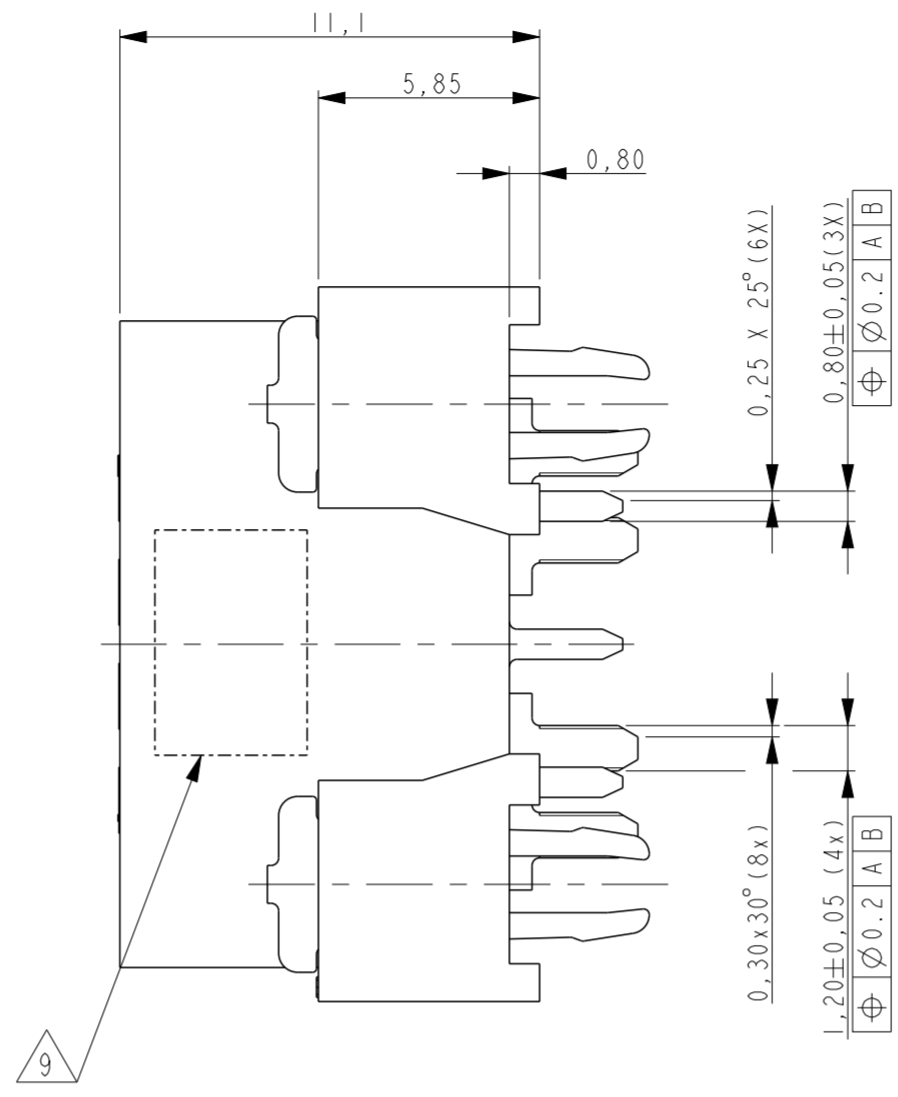
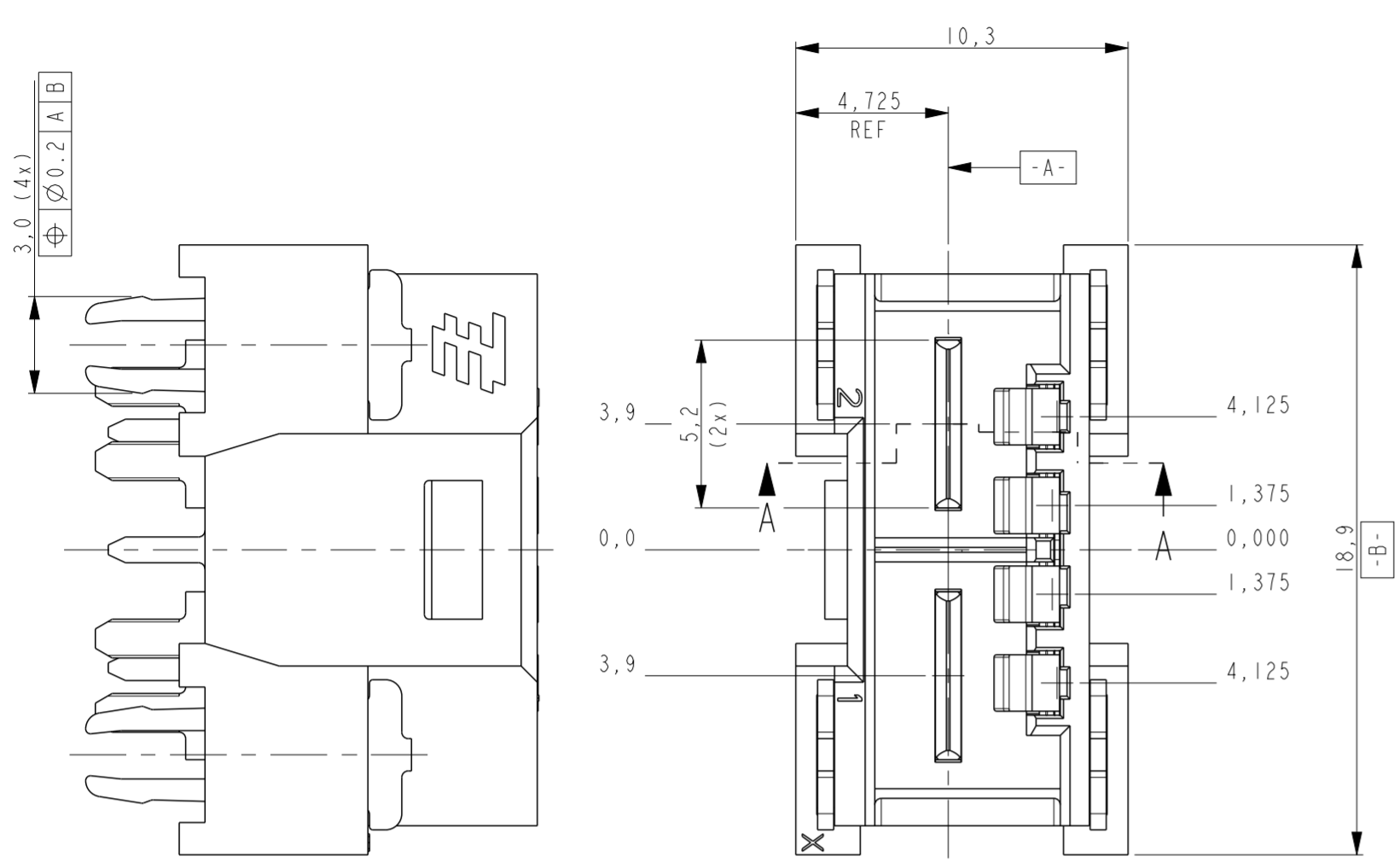


THIS DRAWING IS UNPUBLISHED. RELEASED FOR PUBLICATION
 © COPYRIGHT - TE CONNECTIVITY ALL RIGHTS RESERVED.

LOC		DIST		REVISIONS			
P	LTR	DESCRIPTION		DATE	DWN	APVD	
D		REV PER ECN-21-116040		02SEP2021	OL	SH	
D1		ADD 1-1		17SEP2023	OL	WY	
D2		ADDED SHEET 6		17DEC2024	RGA	RCG	
D3		ADDED PN 1-2042274-2		08APR2025	RGA	RCG	



SOLDER TERMINATION AREA FOR POWER CONTACTS
 RECOMMENDED PRINTED CIRCUIT HOLE
 DETAIL A
 SCALE 10:1

PARTNUMBER 2042274-1 AS SHOWN

ITEM NO.	DESCRIPTION	MATERIAL	FINISH	QTY	QTY	QTY	QTY	QTY	QTY
5	PICK&PLACE ADAPTOR	POLYAMIDE	NA	1	-	-	1	1	1
4	HOLD DOWN	DINI544 CK75	5,0 μm Sn MIN OVER 2,5 μm Ni MIN ALL OVER.	4	4	4	4	4	4
3	CONTACT DETECTION	COPPER ALLOY	0,8 μm Au MIN. IN CONTACT PLACE, Au FLASH IN SOLDER AREA OVER 1,27μm Ni MIN ALL OVER	-	-	1	1	-	1
2	CONTACT POWER TAB	COPPER ALLOY	1,2 μm Ni MIN. ALL OVER 0,8 μm Au MIN AT MATING ZONE Au FLASH AT SOLDER ZONE	-	-	-	2	-	-
2	CONTACT POWER TAB	COPPER ALLOY	3,0 μm Ag MIN ALL OVER.	2	2	2	-	2	2
1	HOUSING	LCP GF UL94V-0	NA	1	1	1	1	1	1

ITEM NO.	DESCRIPTION	MATERIAL	FINISH	QTY	QTY	QTY	QTY	QTY
5	PICK&PLACE ADAPTOR	POLYAMIDE	NA	1	-	-	1	1
4	HOLD DOWN	DINI544 CK75	5,0 μm Sn MIN OVER 2,5 μm Ni MIN ALL OVER.	4	4	4	4	4
3	CONTACT DETECTION	COPPER ALLOY	0,8 μm Au MIN. IN CONTACT PLACE, Au FLASH IN SOLDER AREA OVER 1,27μm Ni MIN ALL OVER	-	-	1	1	-
2	CONTACT POWER TAB	COPPER ALLOY	1,2 μm Ni MIN. ALL OVER 0,8 μm Au MIN AT MATING ZONE Au FLASH AT SOLDER ZONE	-	-	-	2	-
2	CONTACT POWER TAB	COPPER ALLOY	3,0 μm Ag MIN ALL OVER.	2	2	2	-	2
1	HOUSING	LCP GF UL94V-0	NA	1	1	1	1	1

NOTE:
 8: TAIL LENGTH FOR 1-2042274-0 REFER TO PAGE 4
 9: PART NUMBER AND DATE CODE

SECTION A-A

THIS DRAWING IS A CONTROLLED DOCUMENT. DWN: J.VOS 22-Apr-08
 CHK: R.LOKKER 22-Apr-08
 APVD: R.V.D.SANDT

TE Connectivity
ELCON Mini, 2-position header vertical

108-19346
 APPLICATION SPEC
 114-19110

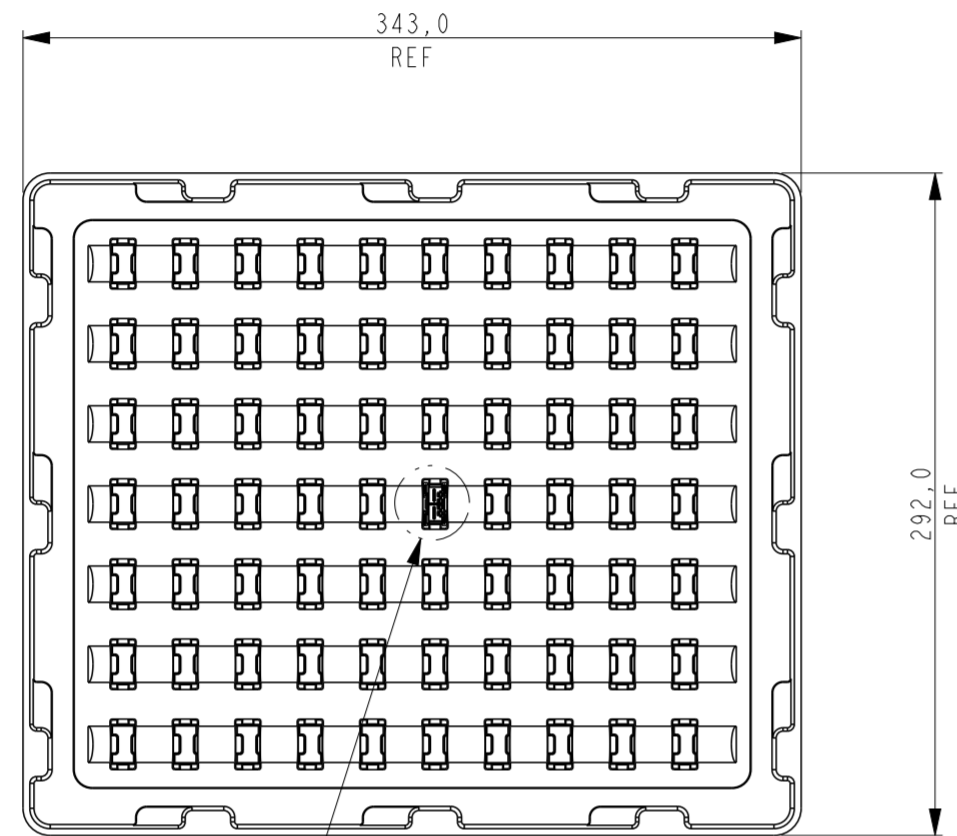
SIZE: A2 CAGE CODE: 00779 DRAWING NO: C-2042274 RESTRICTED TO: 114-19110
 WEIGHT: -
 CUSTOMER DRAWING SCALE: 5:1 SHEET 1 OF 6 REV: D3

THIS DRAWING IS UNPUBLISHED. RELEASED FOR PUBLICATION
 © COPYRIGHT - TE CONNECTIVITY ALL RIGHTS RESERVED.

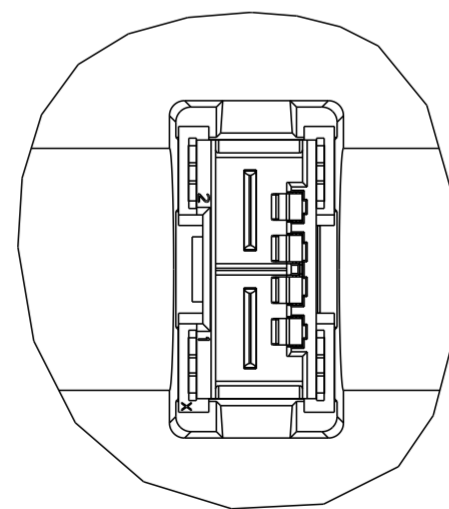
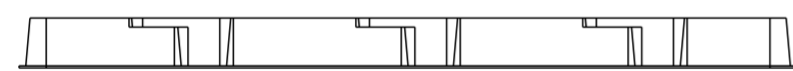
LOC		DIST		REVISIONS			
P	LTR	DESCRIPTION	DATE	DWN	APVD		
-	-	SEE SHEET 1	-	-	-		

NOTES:

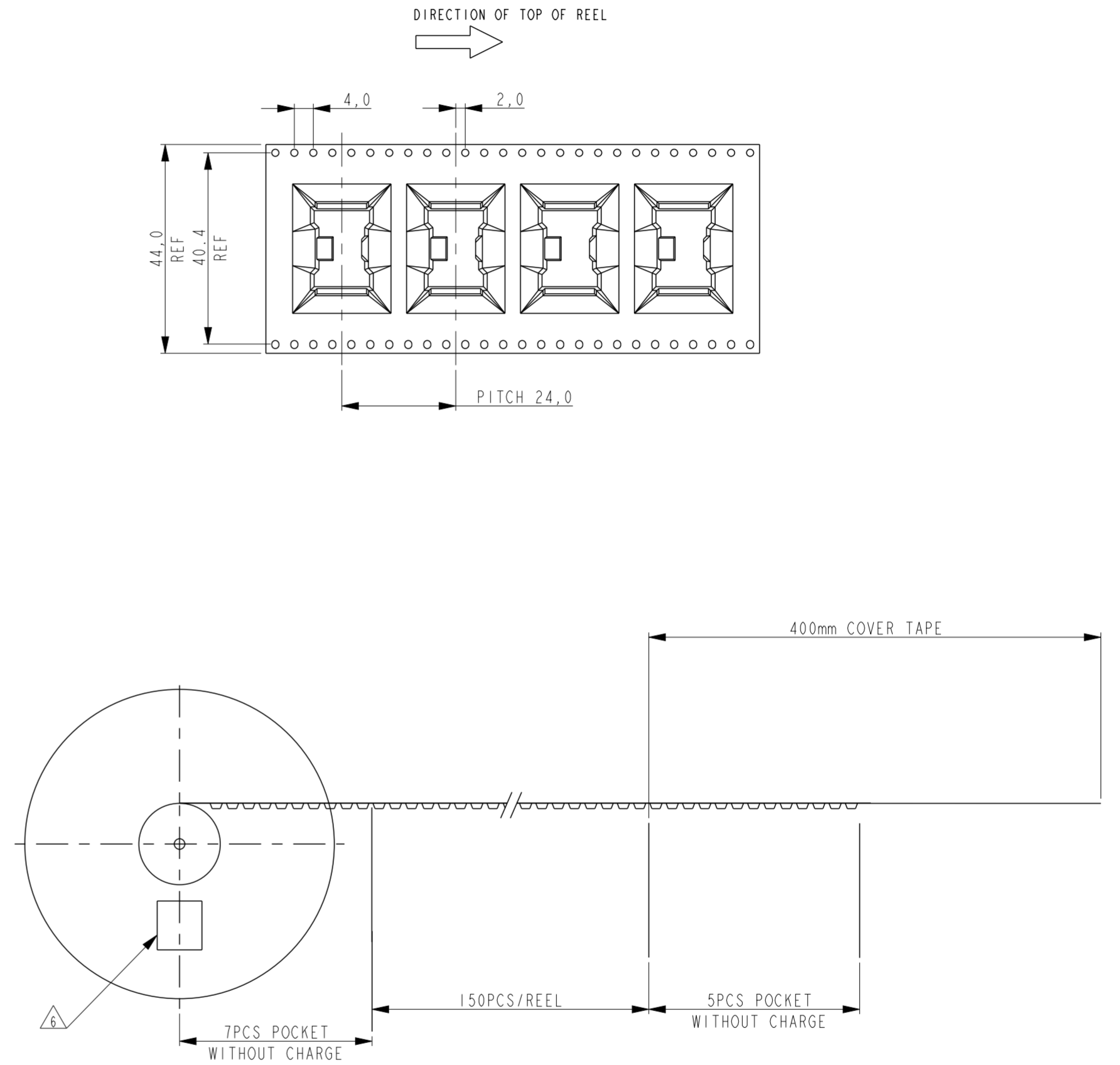
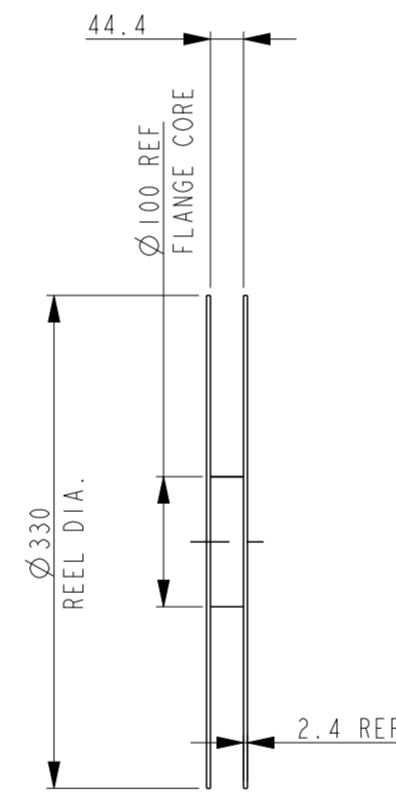
1. TRAY (PN 1961242-1) PACKAGING IS ONLY FOR PN 2042274-5 AND 1-2042274-2



SEE DETAIL B



DETAIL B



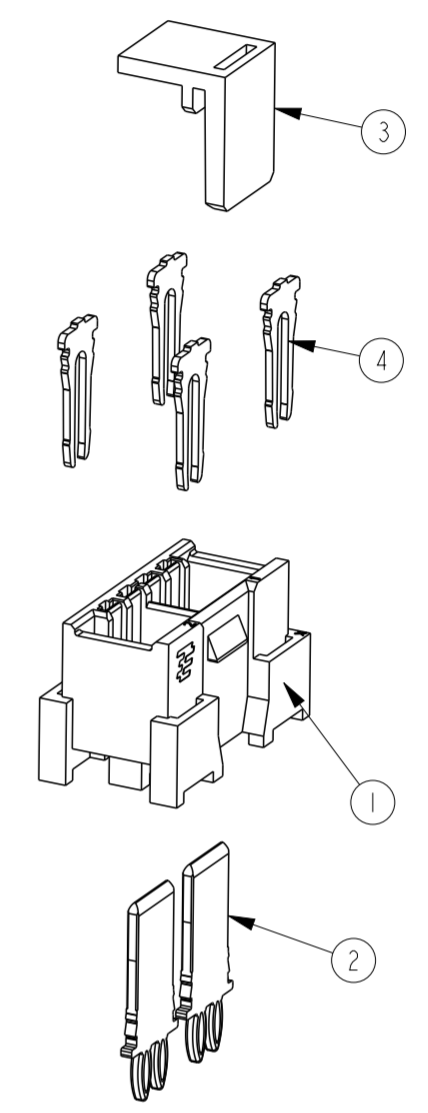
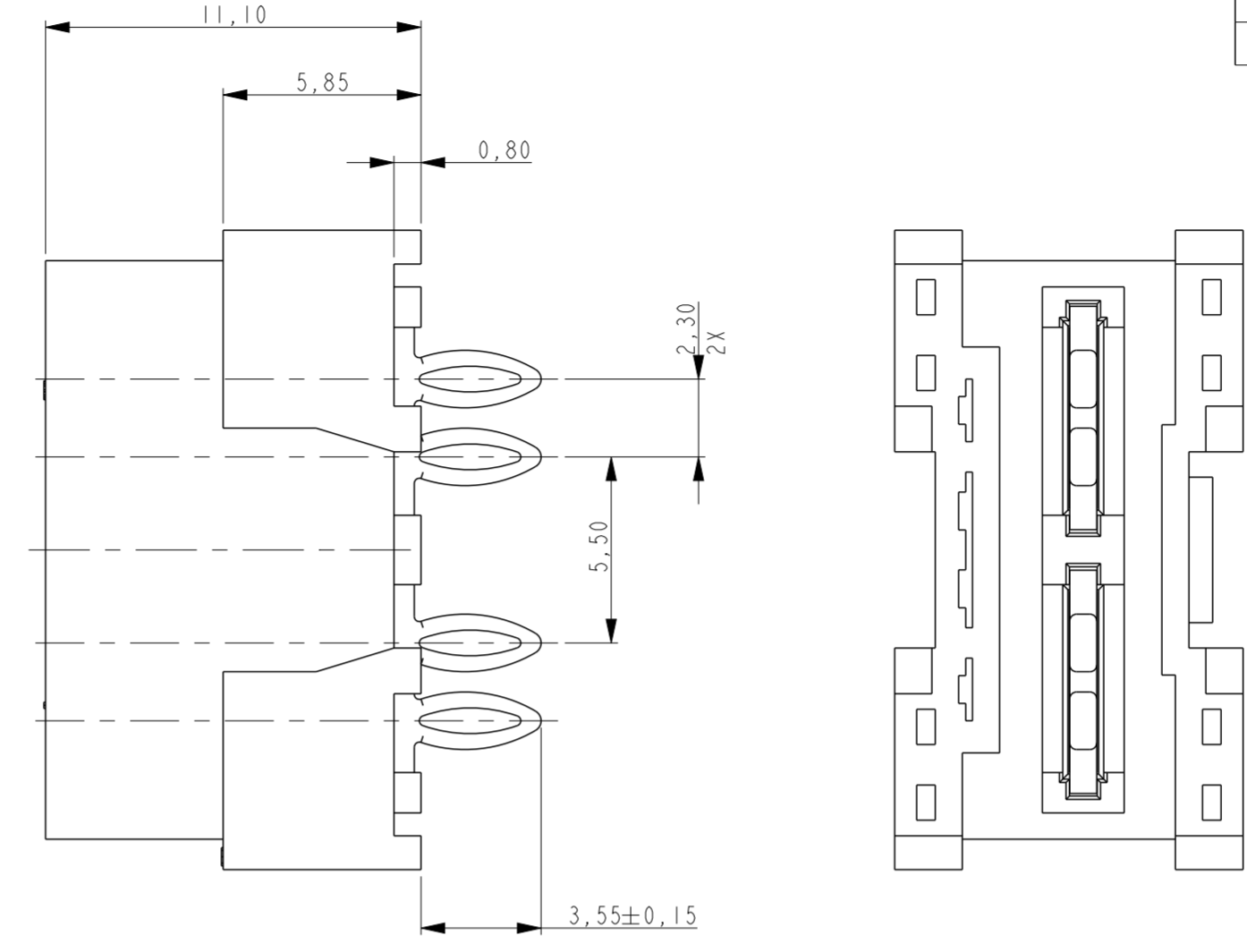
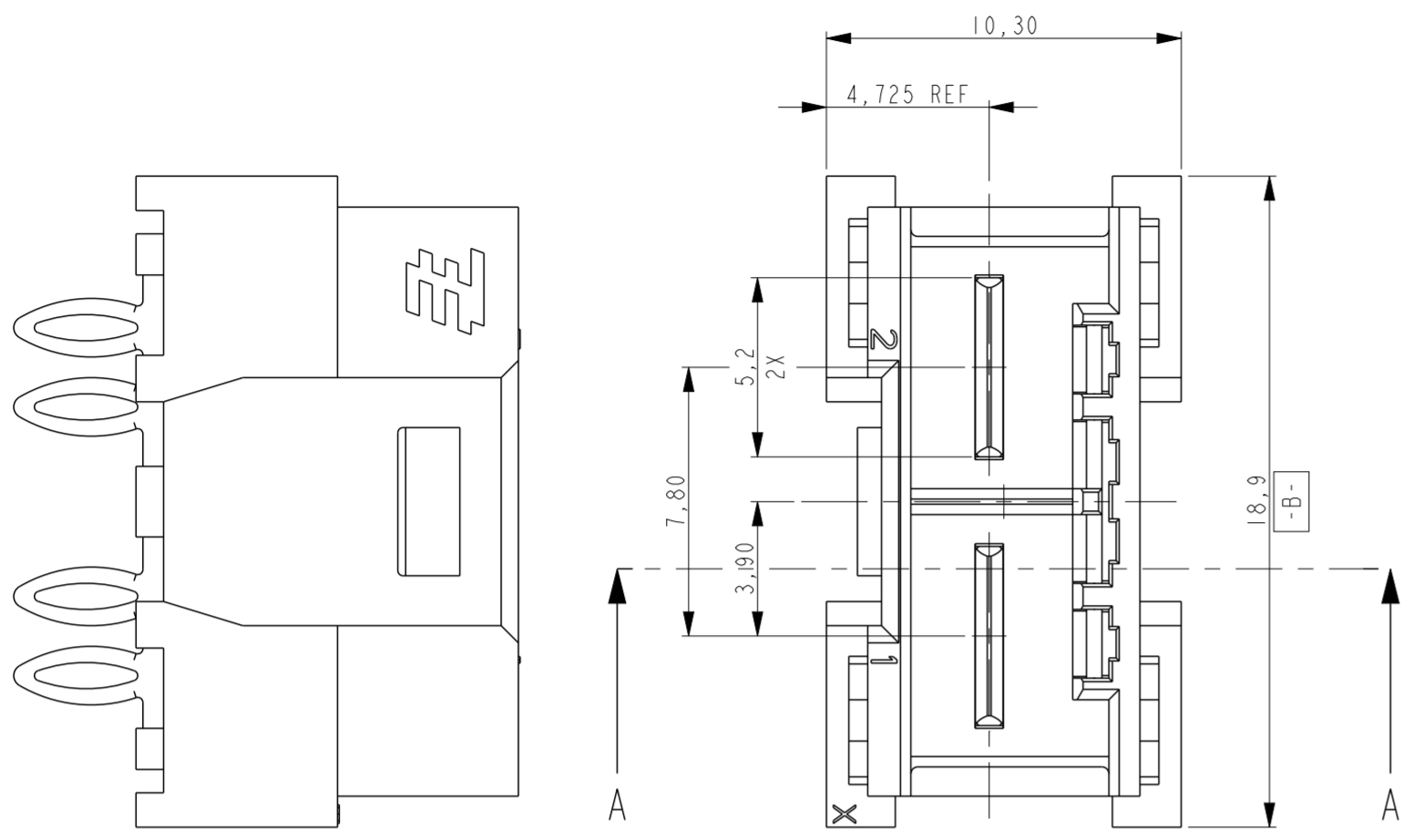
NOTES:

- 1 MATERIAL: BALCK POLYSTYRENE PLASTIC FOR CARRIER TAPE.
- 2 10 SPROCKET HOLES PITCH CUMULATIVE TOLERANCE +/-0,20.
- 3 CARRIER CAMBER IS WITHIN 1 mm IN 250 mm.
- 4 ALL DIMENSIONS MEET EIA-481-C REQUIREMENTS.
- 5 THICKNESS: 0,50±0,05mm.
- △ LABEL
- △ OPTIONAL UNLESS CODING CONTACT IS REUIRED

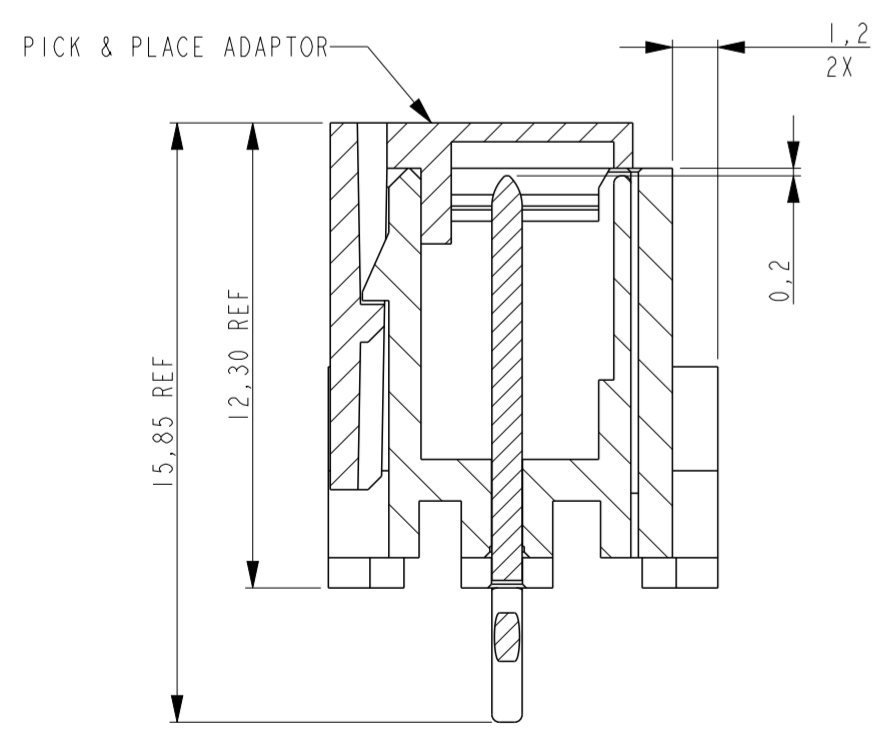
THIS DRAWING IS A CONTROLLED DOCUMENT.		DWN J.VOS 22-Apr-08	TE Connectivity	
		CHK R.LOKKER 22-Apr-08		
DIMENSIONS:		APVD R.V.D.SANDT	NAME ELCON Mini, 2-position header vertical	
mm		PRODUCT SPEC 108-19346	SIZE A2	
TOLERANCES UNLESS OTHERWISE SPECIFIED:		APPLICATION SPEC 114-19110	CAGE CODE 00779	DRAWING NO C-2042274
0 PLC ±0,5		WEIGHT -	RESTRICTED TO	
1 PLC ±0,1		CUSTOMER DRAWING		
2 PLC ±0,1		SCALE 1:1		
3 PLC ±0,1		SHEET 2 OF 6		
4 PLC ±		REV D3		
ANGLES ±				
FINISH				

THIS DRAWING IS UNPUBLISHED. RELEASED FOR PUBLICATION
 © COPYRIGHT - TE CONNECTIVITY ALL RIGHTS RESERVED.

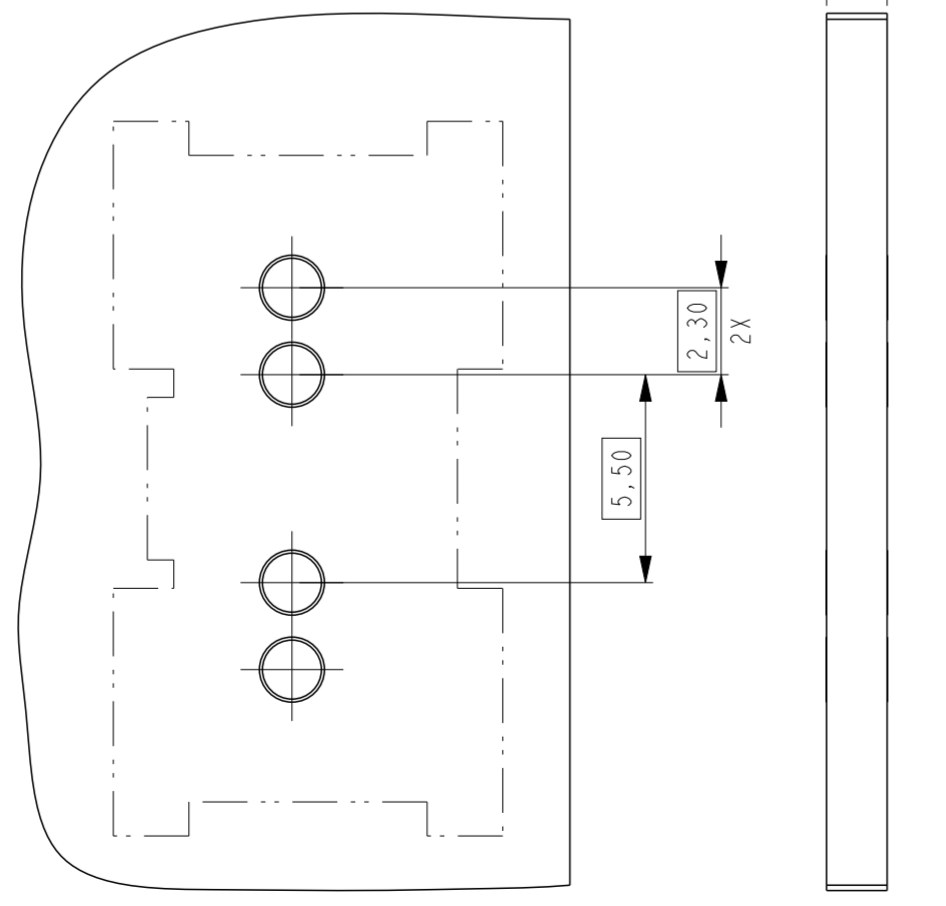
LOC	DIST	REVISIONS			
P	LTR	DESCRIPTION	DATE	DWN	APVD
		SEE SHEET 1			



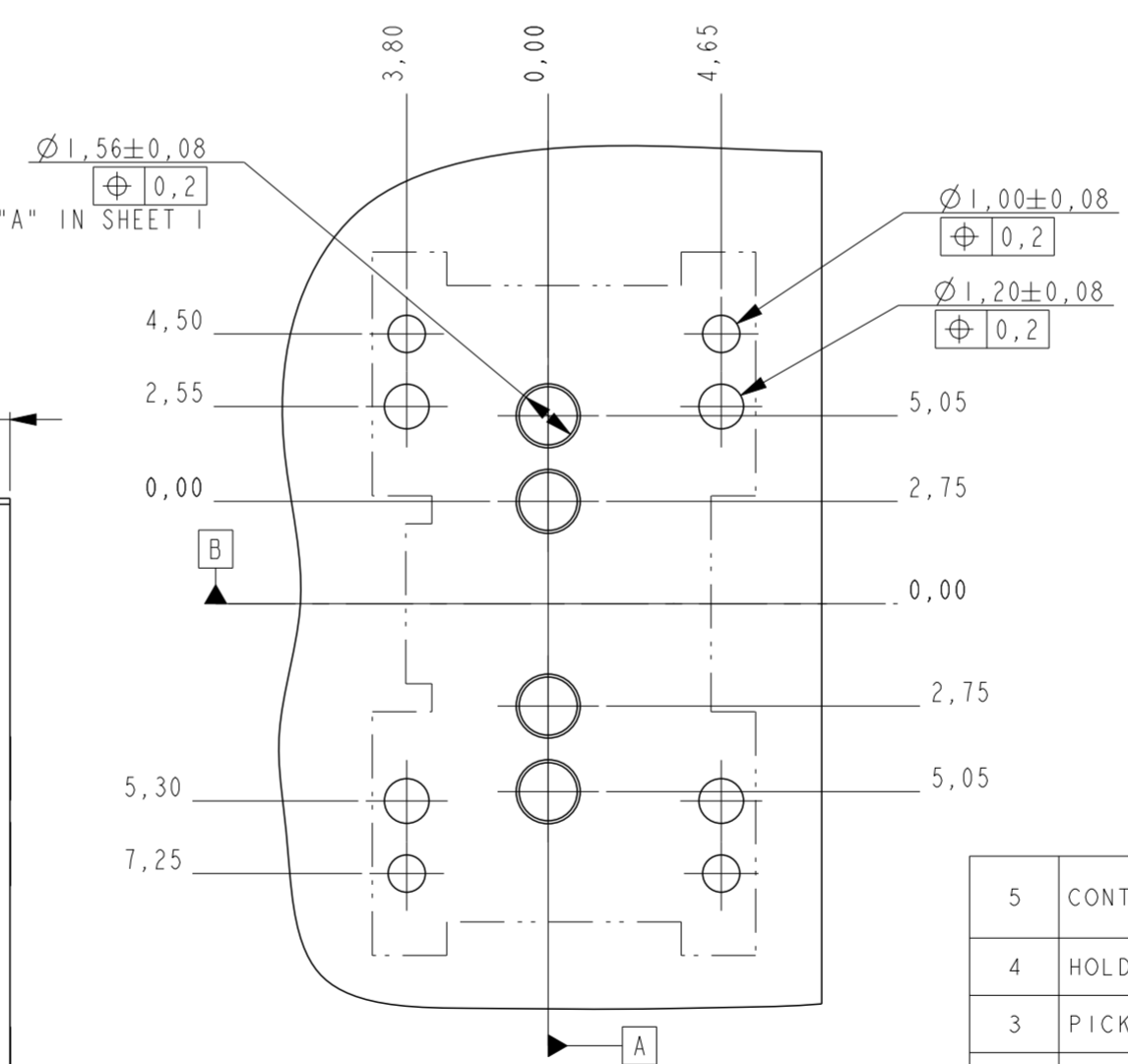
2042274-7 AS SHOWN



SECTION A-A
SCALE 5:1



LAYOUT FOR -6, PCB THICKNESS 145 MIN



LAYOUT FOR PRESSFIT, PCB THICKNESS 145 MIN.

ITEM NO.	DESCRIPTION	MATERIAL	FINISH	QTY	QTY	QTY	QTY
5	CONTACT POWER TAB	COPPER ALLOY	0.8 μm Au AT MATING ZONE GOLD FLASH AT PRESS FIT ZONE OVER 1.27μM NICKEL	-	2	-	-
4	HOLD DOWN	DIN1544 CK75	5.0 μm Sn MIN OVER 2.5 μm Ni MIN ALL OVER.	4	4	4	-
3	PICK&PLACE ADAPTOR	POLYAMIDE	NA	-	1	1	1
2	CONTACT POWER TAB	COPPER ALLOY	3.0 μm Ag MIN ALL OVER.	2	-	2	2
1	HOUSING	LCP GF UL94V-0	NA	1	1	1	1

THIS DRAWING IS A CONTROLLED DOCUMENT.

DWN: J.VOS 22-Apr-08
 CHK: R.LOKKER 22-Apr-08
 APVD: R.V.D.SANDT

TE Connectivity

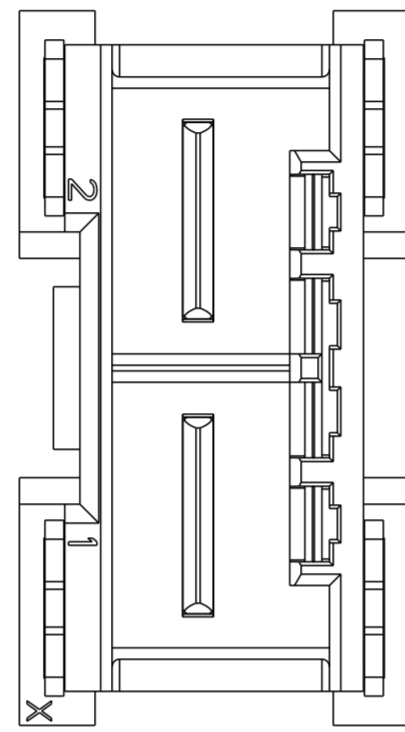
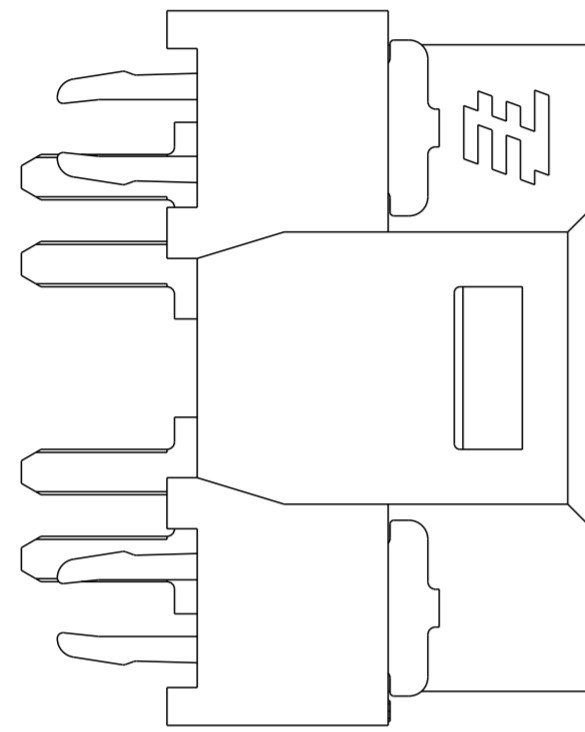
ELCON Mini, 2-position header vertical

SIZE: A2 CAGE CODE: 00779 DRAWING NO: C-2042274 RESTRICTED TO: D3

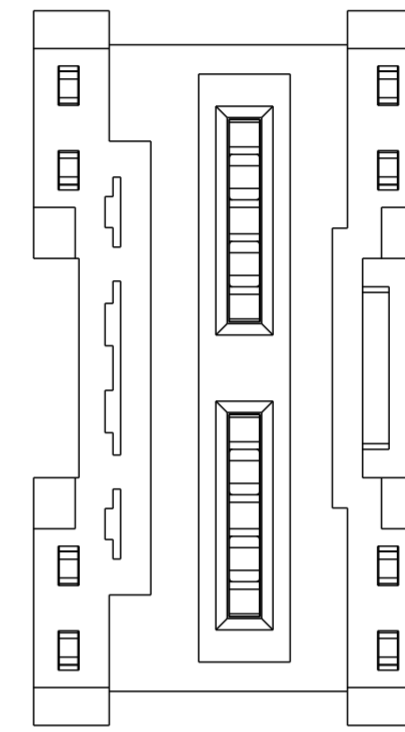
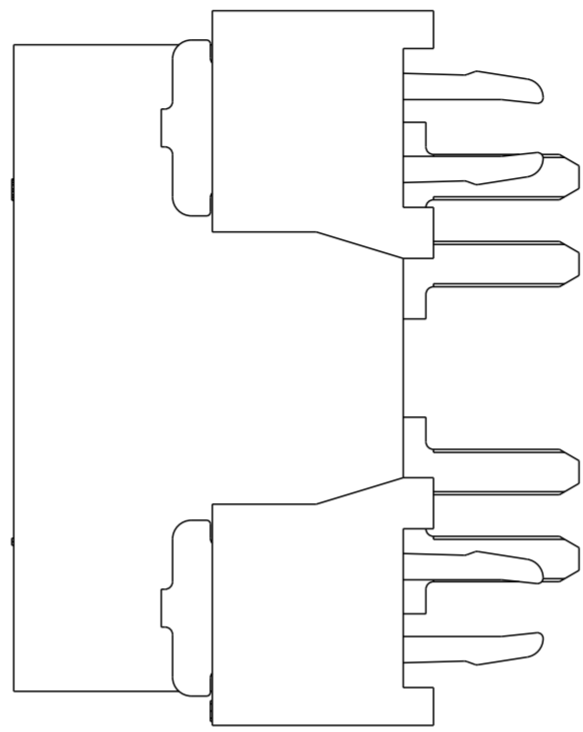
SCALE: 1:1 SHEET: 3 OF 6 REV: D3

THIS DRAWING IS UNPUBLISHED. RELEASED FOR PUBLICATION
 © COPYRIGHT - TE CONNECTIVITY ALL RIGHTS RESERVED.

LOC		DIST		REVISIONS			
P	LTR	DESCRIPTION	DATE	DWN	APVD		
-	-	SEE SHEET 1	-	-	-		



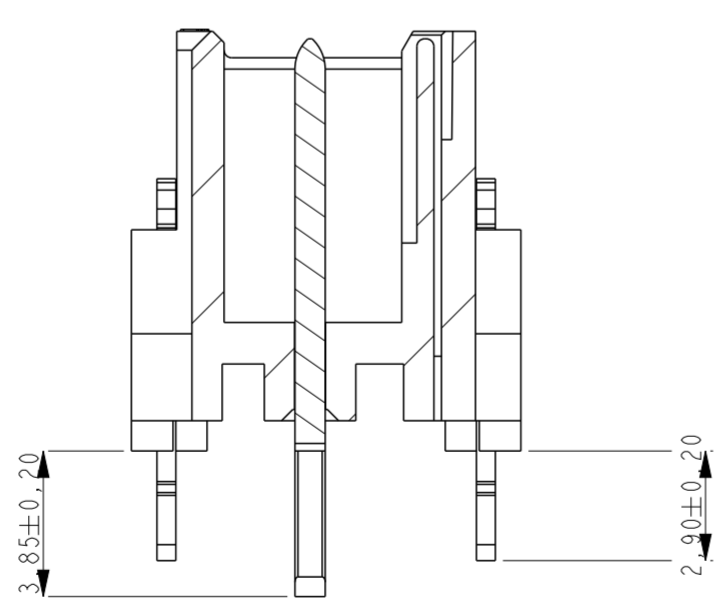
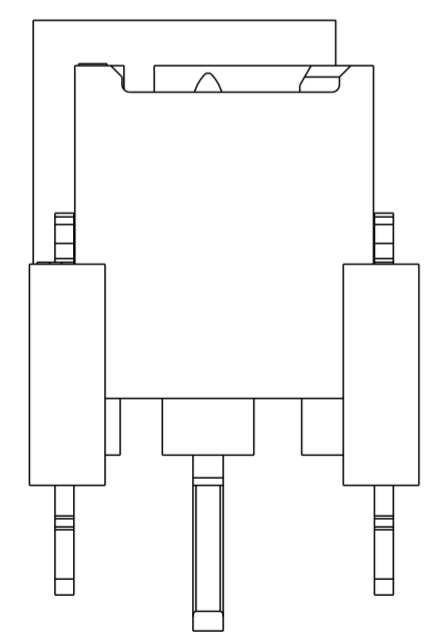
SCALE 5:1



1-2042274-0 IS SHOWN TO SHOW THE TAIL LENGTH FOR POWER CONTACT AND HOLD DOWN.

OTHER DIMENSIONS REFER TO SHEET 1

1-2042274-0 SUPPORTS PIP PROCESS

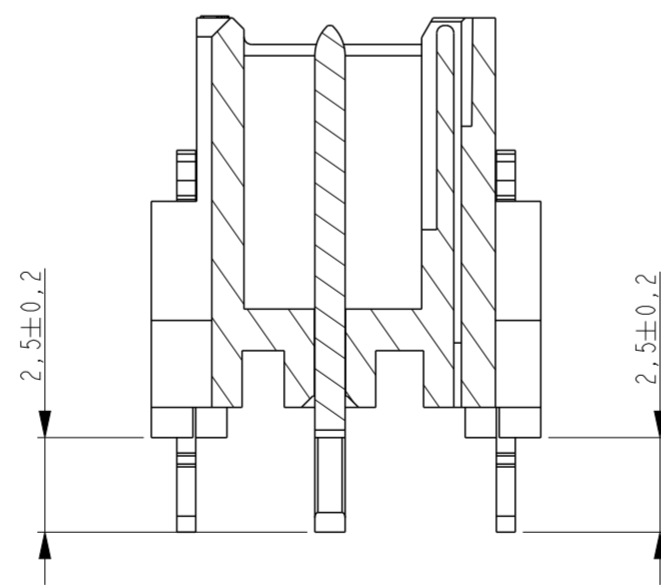
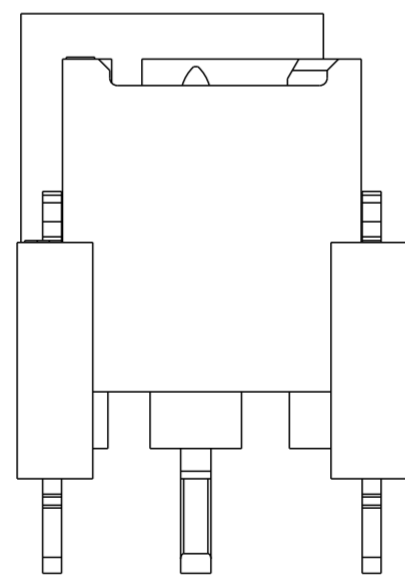
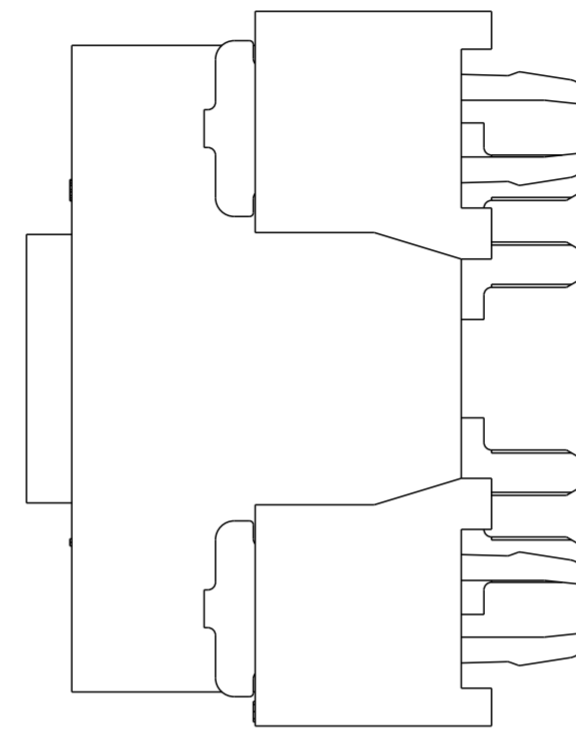
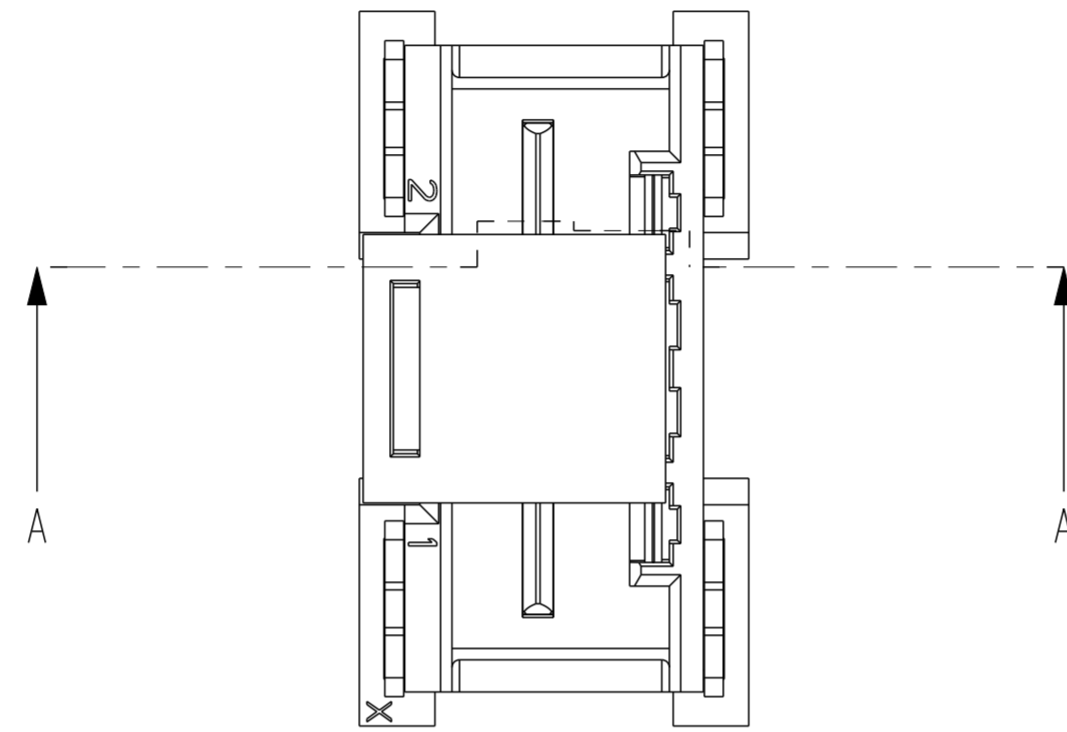
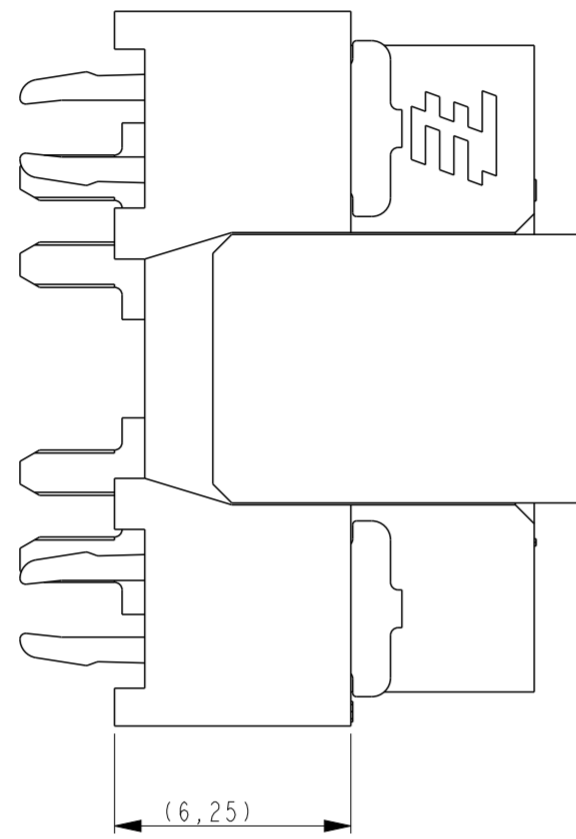


SECTION A-A

THIS DRAWING IS A CONTROLLED DOCUMENT.		DWN J. VOS 22-Apr-08	TE Connectivity	
DIMENSIONS: mm		CHK R. LOKKER 22-Apr-08		
TOLERANCES UNLESS OTHERWISE SPECIFIED:		APVD R. V. D. SANDT	NAME ELCON Mini, 2-position header vertical	
0 PLC ±0,5 1 PLC ±0,1 2 PLC ±0,1 3 PLC ±0,1 4 PLC ± ANGLES ± FINISH		PRODUCT SPEC 108-19346	RESTRICTED TO	
MATERIAL		APPLICATION SPEC 114-19110	SIZE A2	CAGE CODE 00779
		WEIGHT	DRAWING NO C-2042274	SCALE 1:1
		CUSTOMER DRAWING	SHEET 4 OF 6 REV D3	

THIS DRAWING IS UNPUBLISHED. RELEASED FOR PUBLICATION
 © COPYRIGHT - TE CONNECTIVITY ALL RIGHTS RESERVED.

LOC		DIST		REVISIONS			
P	LTR	DESCRIPTION	DATE	DWN	APVD		
		SEE SHEET 1	-	-	-		



SECTION A-A

1-2042274-1 IS SHOWN TO SHOW THE TAIL LENGTH FOR POWER CONTACT AND HOLD DOWN.

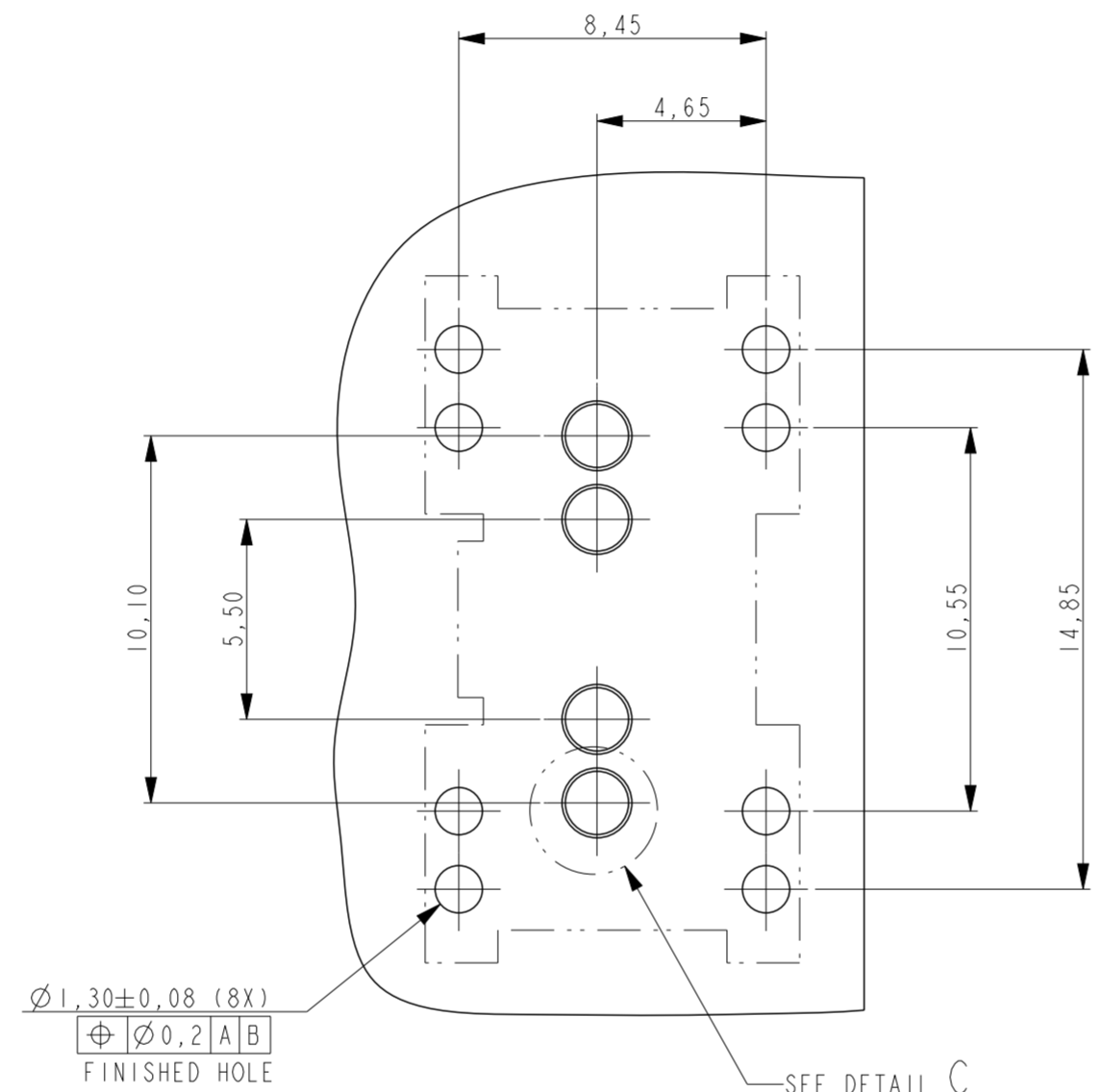
OTHER DIMENSIONS REFER TO SHEET 1

1-2042274-1 SUPPORTS PIP PROCESS

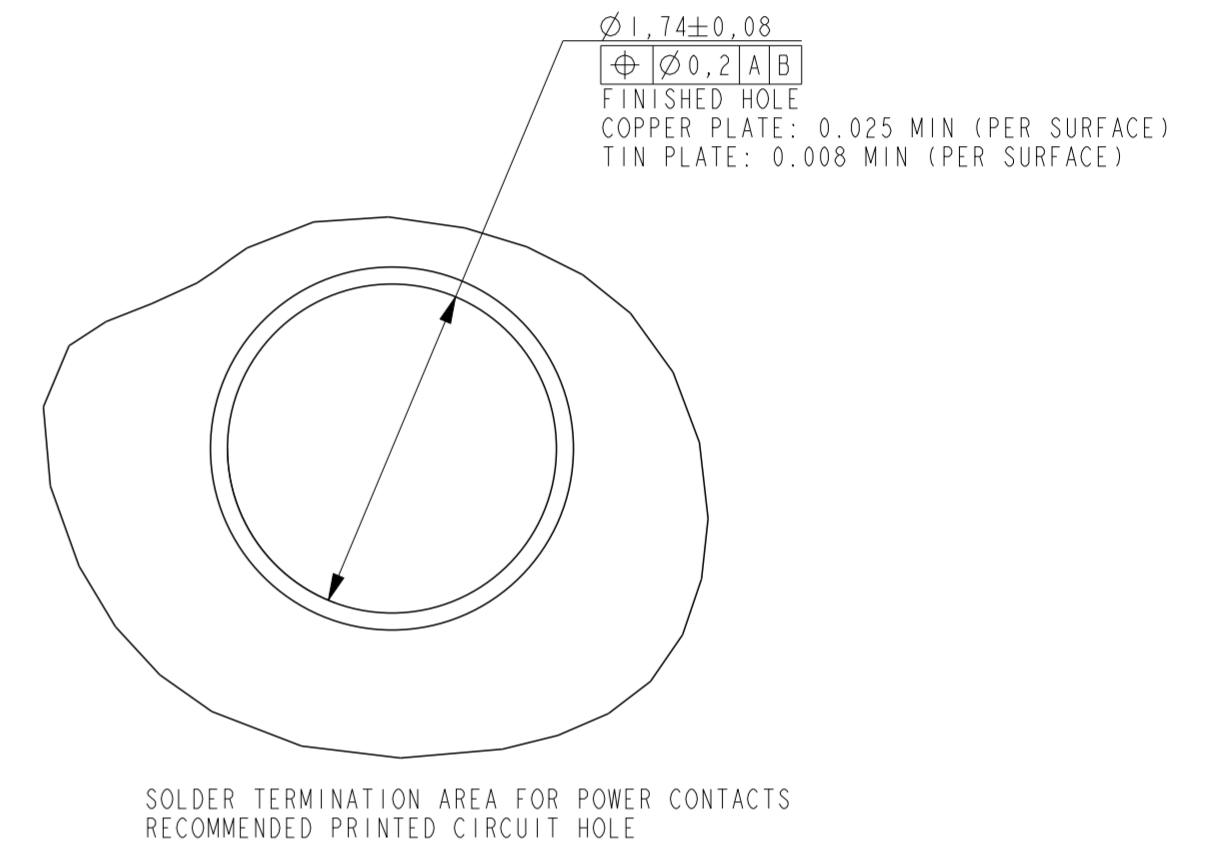
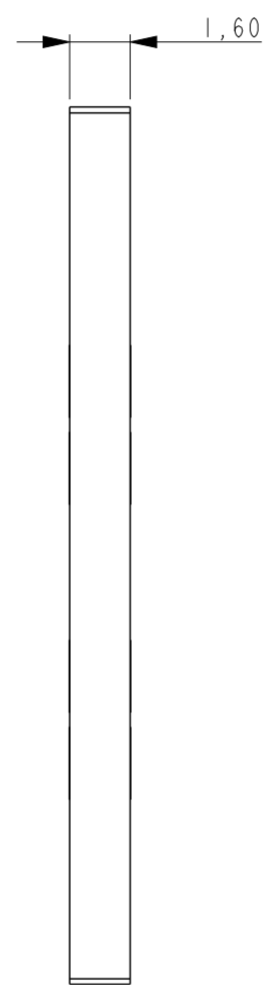
THIS DRAWING IS A CONTROLLED DOCUMENT.		DWN J.VOS 22-Apr-08	STE TE Connectivity	
		CHK R.LOKKER 22-Apr-08		
DIMENSIONS: mm		APVD R.V.D.SANDT	NAME ELCON Mini, 2-position header vertical	
TOLERANCES UNLESS OTHERWISE SPECIFIED: 0 PLC ±0,5 1 PLC ±0,1 2 PLC ±0,1 3 PLC ±0,1 4 PLC ± ANGLES ± FINISH		PRODUCT SPEC 108-19346	RESTRICTED TO	
MATERIAL		APPLICATION SPEC 114-19110	SIZE A2	CAGE CODE 00779
		WEIGHT -	DRAWING NO C-2042274	SCALE 1:1
		CUSTOMER DRAWING	SHEET 5 OF 6 REV D3	

THIS DRAWING IS UNPUBLISHED. RELEASED FOR PUBLICATION
 © COPYRIGHT - TE CONNECTIVITY ALL RIGHTS RESERVED.

LOC	DIST	REVISIONS					
H	-	P	LTR	DESCRIPTION	DATE	DWN	APVD
				SEE SHEET 1			



RECOMMENDED PCB LAY-OUT FOR 2042274-2 ONLY FOR SAMSUNG
TOP VIEW



DETAIL C
SCALE 25:1

THIS DRAWING IS A CONTROLLED DOCUMENT.		DWN J.VOS 22-Apr-08	TE Connectivity	
DIMENSIONS: mm		CHK R.LOKKER 22-Apr-08		
TOLERANCES UNLESS OTHERWISE SPECIFIED:		APVD R.V.D.SANDT	NAME ELCON Mini, 2-position header vertical	
0 PLC ±0,5		PRODUCT SPEC 108-19346	SIZE A2	CAGE CODE 00779
1 PLC ±0,1		APPLICATION SPEC 114-19110	DRAWING NO C-2042274	
2 PLC ±0,1		WEIGHT -	RESTRICTED TO	
3 PLC ±0,1		MATERIAL -	SCALE 1:1	
4 PLC ±		CUSTOMER DRAWING		
ANGLES ±		SHEET 6 OF 6		
FINISH ±		REV D3		