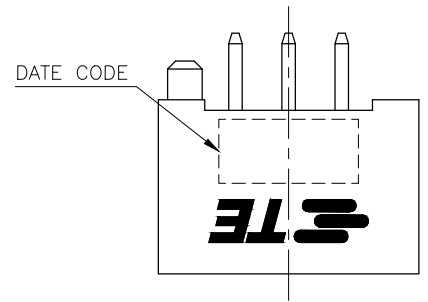
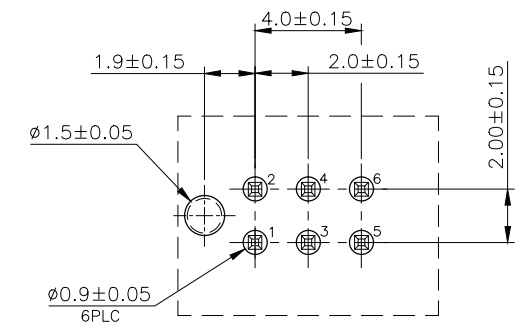


THIS DRAWING IS UNPUBLISHED. RELEASED FOR PUBLICATION
 © COPYRIGHT 2010 BY TYCO ELECTRONICS CORPORATION. ALL RIGHTS RESERVED.

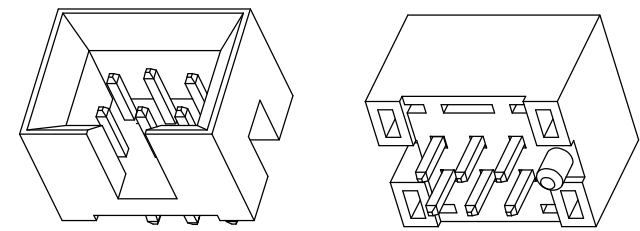
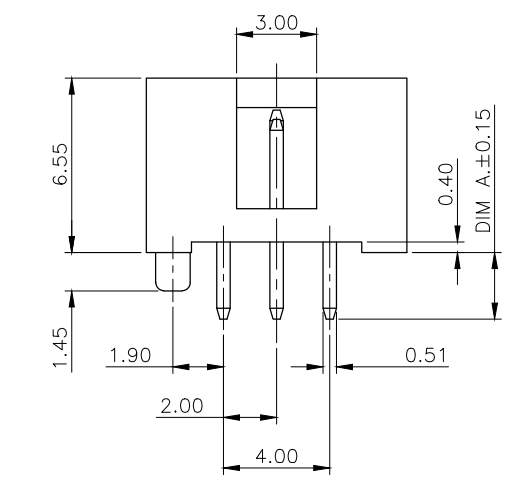
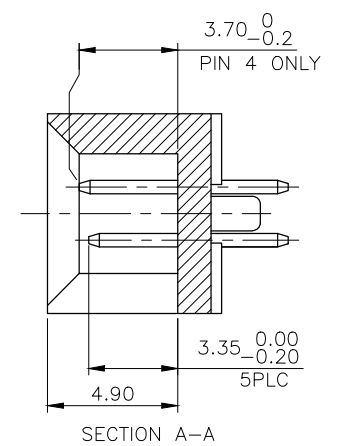
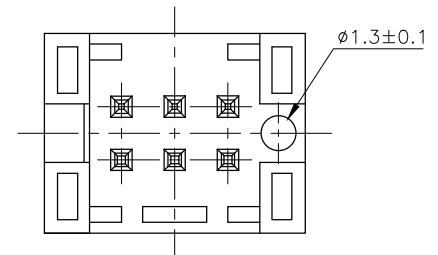
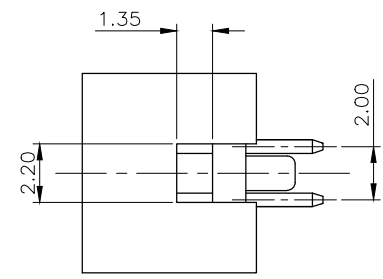
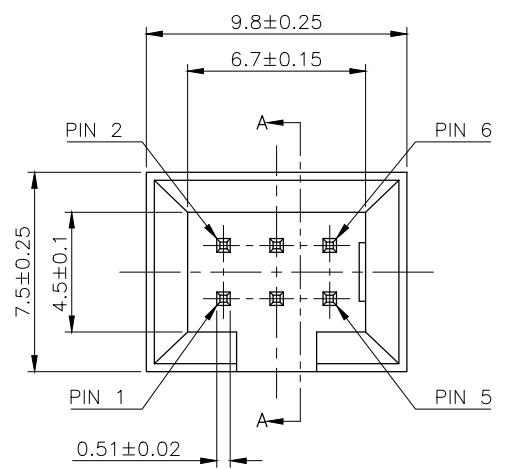
LOC		DIST		REVISIONS			
P	LTR	DESCRIPTION		DATE	DWN	APVD	
DW		A2		REVISED(ECR-14-016468), ADD NEW PN	05NOV2014	S.C. H.L.	



- NOTES:
- MATERIAL:
 - HOUSING: PA46 , UL94 V-0; COLOR: SEE TABLE
 - CONTACT: BRASS
 - FINISH:
 - CONTACT: GOLD PLATING (SEE TABLE) OVERALL.
1.27um [50u"] MIN. NICKEL UNDERPLATING OVERALL.
 - WAVE SOLDER CAPABLE TO 265°C PER TE SPEC. 109-202, CONDITION B.
 - FOR RATING CURRENT (3A), SERIES CONNECTION PIN 1 AND PIN 5 CAN MEET SPEC. 30°C MAX OF TEMPERATURE RISING.



RECOMMENDED PCB LAYOUT
 PCB THICKNESS: 1.6mm

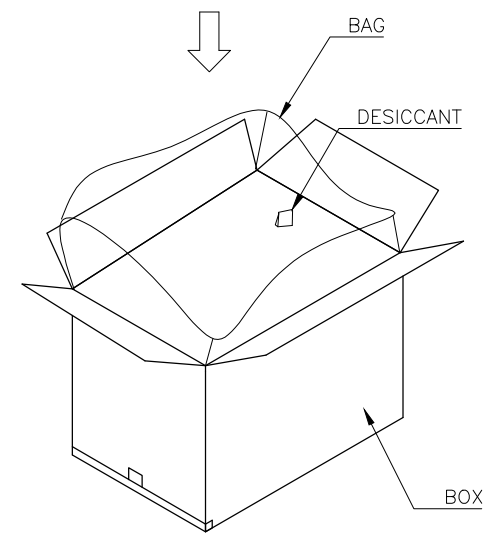
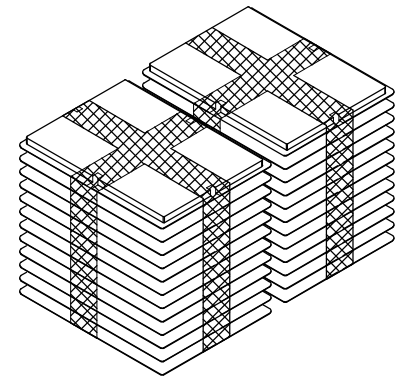
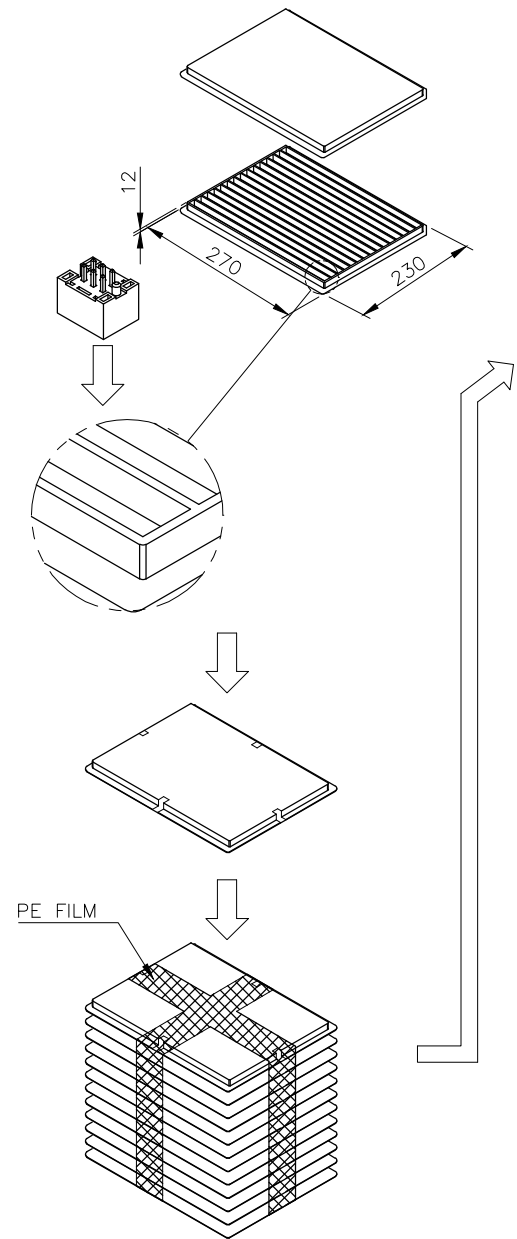


2.00	0.381um[15u"]	BLACK	2041540-4
2.00		BLACK	2041540-3
2.00	0.254um[10u"]	NATURAL	2041540-2
2.50		BLACK	2041540-1
DIM. A	MIN. GOLD THICKNESS	HOUSING COLOR	PART NUMBER

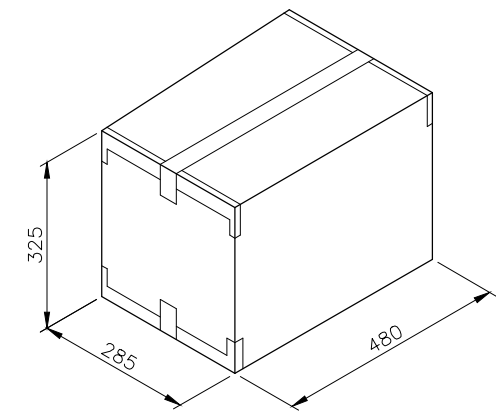
THIS DRAWING IS A CONTROLLED DOCUMENT.		DWN E. LIU 31JAN2013	TE Connectivity	
DIMENSIONS: mm		CHK S. CHIEN 31JAN2013		
TOLERANCES UNLESS OTHERWISE SPECIFIED:		APVD W. KODAMA 31JAN2013	NAME	
0 PLC ± - 1 PLC ± 0.3 2 PLC ± 0.2 3 PLC ± 0.15 4 PLC ± - ANGLES ± 3°		PRODUCT SPEC 108-57827	BOX HEADER CONNECTOR 2.0mm PITCH, 6 POS, VERTICAL, DIP TYPE	
MATERIAL SEE NOTE		APPLICATION SPEC	SIZE A3	CAGE CODE 00779
FINISH SEE NOTE		WEIGHT 0.49 GRAMS	DRAWING NO C-2041540	RESTRICTED TO
CUSTOMER DRAWING		SCALE	SHEET 1 of 2	REV A2

THIS DRAWING IS UNPUBLISHED. RELEASED FOR PUBLICATION
 © COPYRIGHT 2010 BY TYCO ELECTRONICS CORPORATION. ALL RIGHTS RESERVED.

LOC DW	DIST	REVISIONS			
P	LTR	DESCRIPTION	DATE	DWN	APVD
		SEE SHEET 1.			



- NOTES :
- MATERIAL :
 TRAY: PVC, COLOR: TRANSPARENT.
 BOX: CORRUGATED FIBER
 TRANSPARENT BAG: PE, SIZE: 600mm*590mm*0.06mm
 - EACH BAG SHALL BE INCLUDED:
 * DESICCANT



14.6 Kg	9.1 Kg	360	50	18000	6
GROSS WEIGHT	NET WEIGHT	PCS/ TRAY	TRAY/ BOX	PCS/ BOX	CONTACT NO.

THIS DRAWING IS A CONTROLLED DOCUMENT.		DWN	TE Connectivity		
DIMENSIONS: mm		CHK	NAME		
		APVD	BOX HEADER CONNECTOR 2.0mm PITCH, 6 POS, VERTICAL, DIP TYPE		
TOLERANCES UNLESS OTHERWISE SPECIFIED:		PRODUCT SPEC	SIZE	CAGE CODE	DRAWING NO
0 PLC ± -	1 PLC ± 0.3	APPLICATION SPEC	A3	00779	C=2041540
2 PLC ± 0.2	3 PLC ± 0.15	WEIGHT	RESTRICTED TO		
4 PLC ± -	ANGLES ± 3'	CUSTOMER DRAWING	SCALE	SHEET 2 of 2	REV A2