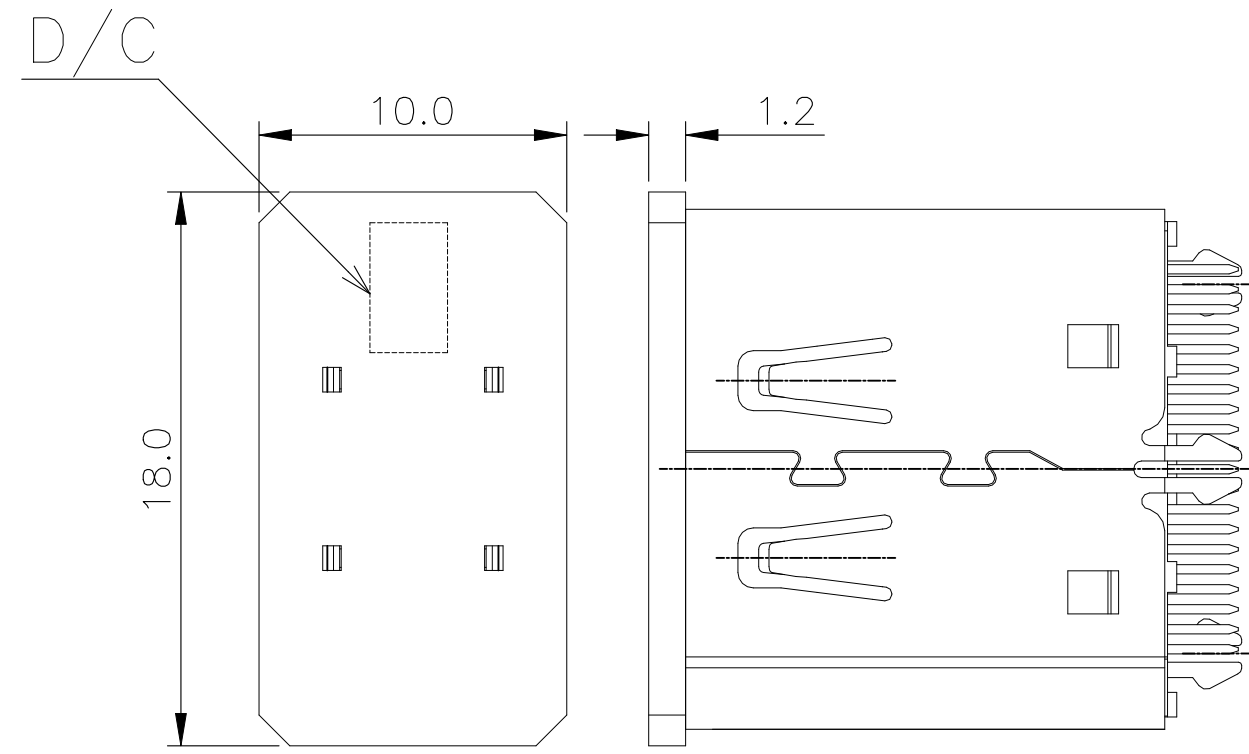
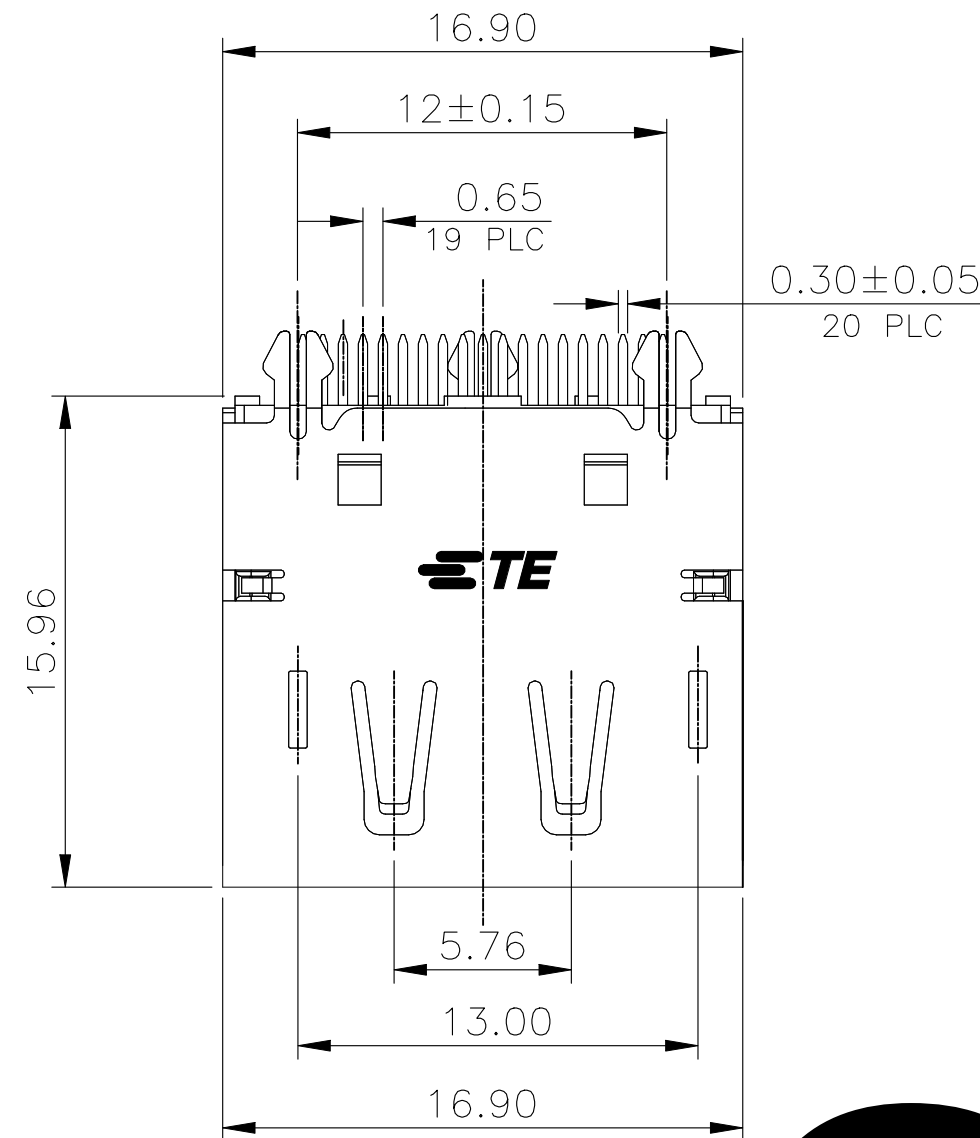


REVISIONS					
P	LTR	DESCRIPTION	DATE	DWN	APVD
-	-	SEE SHEET 1	-	-	-

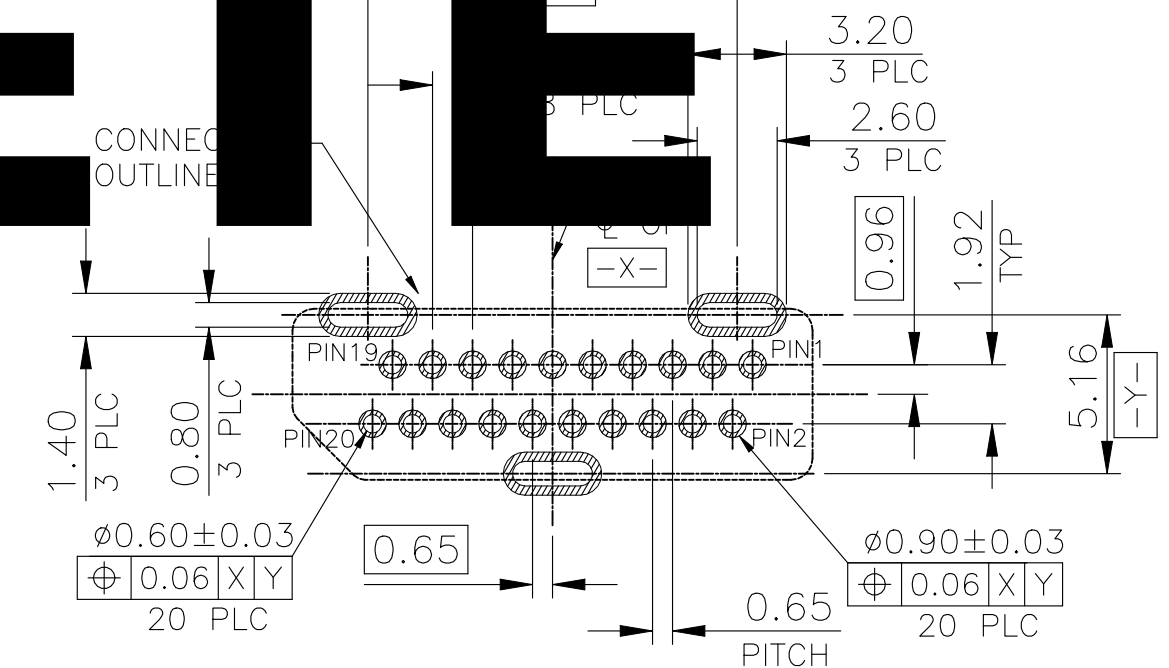
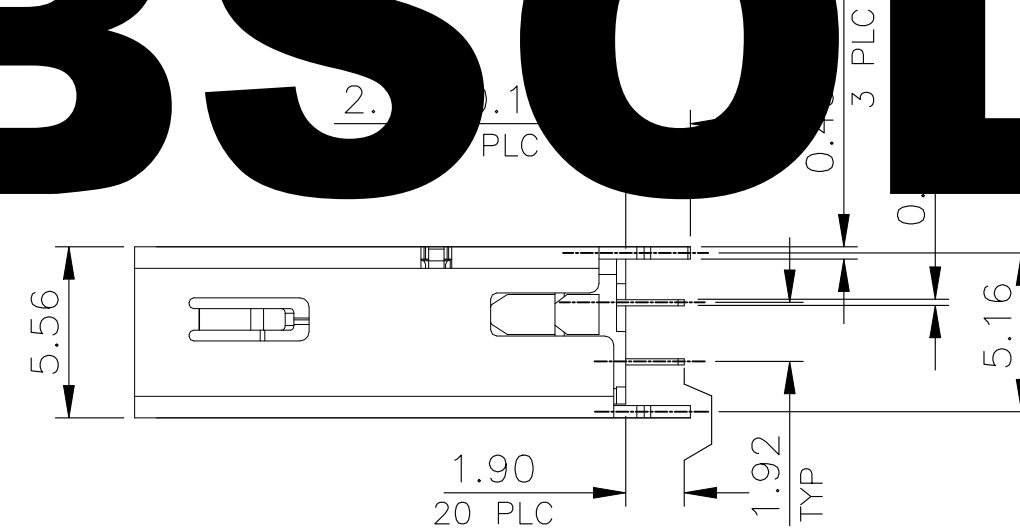
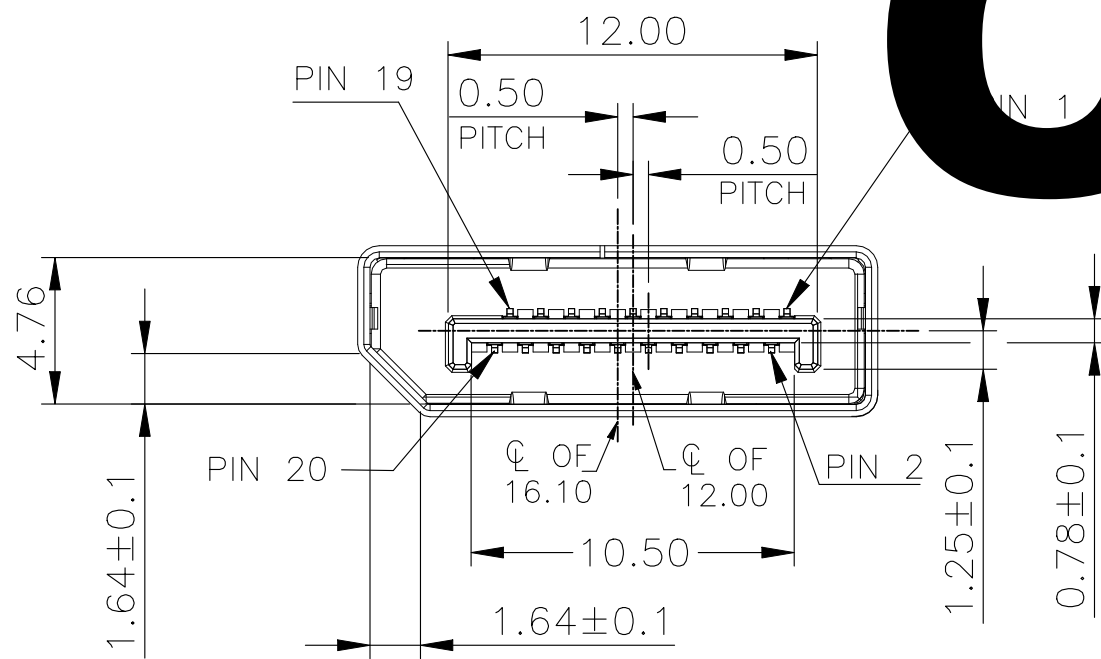


WITH CAP VIEW

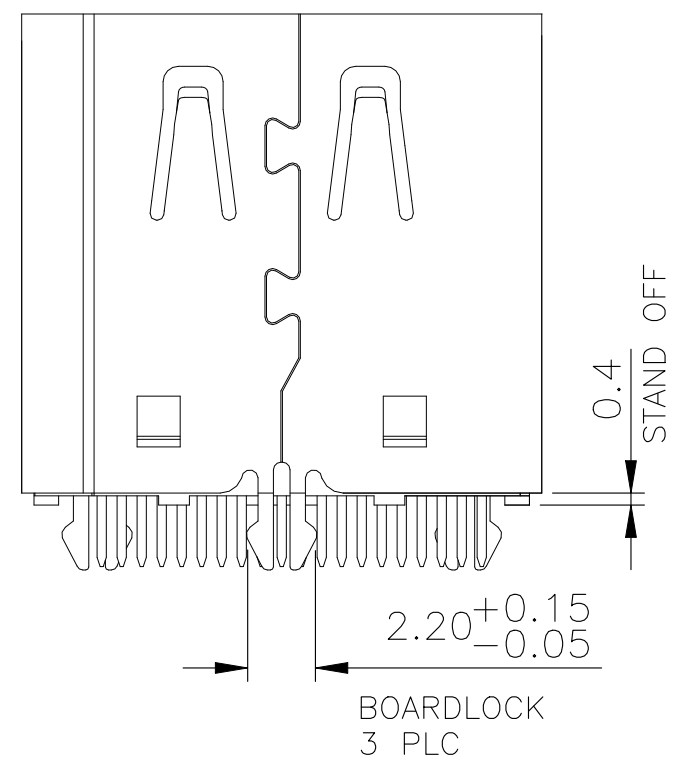
NOTE:

- MATERIAL:
 - 1.1.HOUSING/SPACER: LCP WITH 30% GF, UL94 V-0, BLACK COLOR.
 - 1.2.SHELL: PHOSPHOR BRONZE
 - 1.3.CONTACT: BRASS
- FINISH:
 - 2.1 CONTACT:
 - (SEE TABLE) GLOD PLATED ON CONTACT AREA
 - 2.54µm [100µ"] MIN. MATTE-TIN ON SOLDER TAIL
 - 1.27µm [50µ"] MIN. NICKEL UNDERPLATE OVERALL
 - 2.2 SHELL:
 - 1.27µm [50µ"] MIN. NICKEL UNDERPLATING OVERALL.
- REFLOW SOLDER CAPABLE TO 260°C PER TEC-109-201.
- LOW HALOGEN SPECIFICATION:
 - CHLORINE(CL): 900 ppm MAX.
 - BROMINE(BR): 900 ppm MAX.
 - CL + BR : 1500 ppm MAX.

OBSOLETE



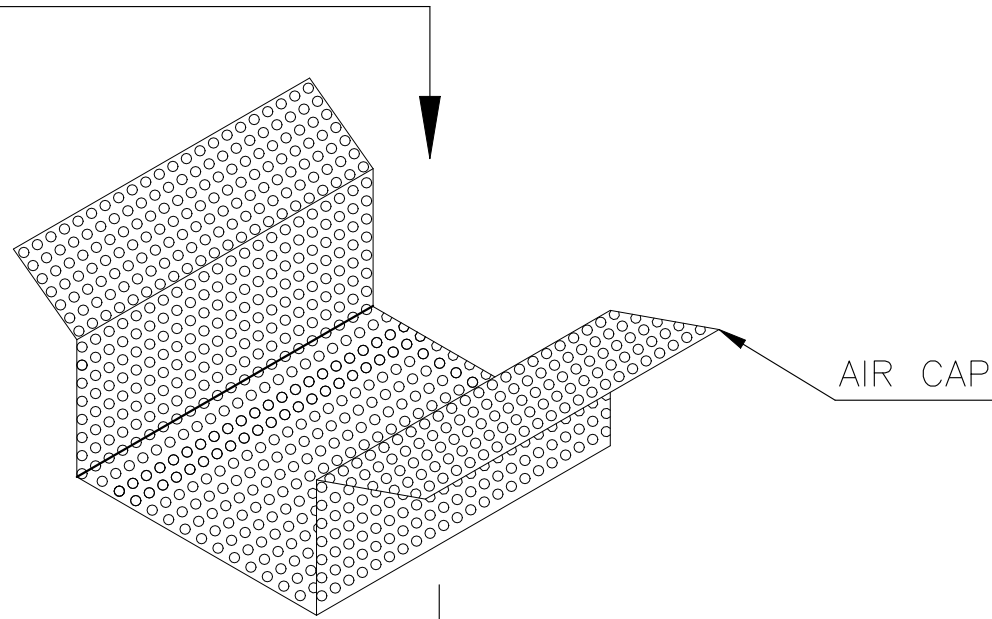
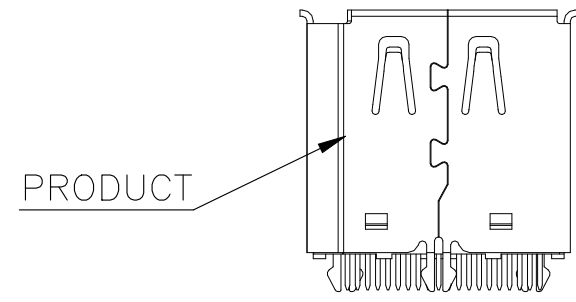
RECOMMENDED P.C.B LAYOUT <TOP VIEW>
THICKNESS: 1.60mm, TOLERANCE: ±0.05mm



OBSOLETE	0.381µm [15µ"]	1-2041441-2
	MIN. GOLD THICKNESS	PART NUMBER

THIS DRAWING IS A CONTROLLED DOCUMENT.		DWN J. LAI	12DEC2011		
DIMENSIONS: mm		CHK W. KODAMA	-		
TOLERANCES UNLESS OTHERWISE SPECIFIED:		APVD S. CHIEN	-	NAME DISPLAYPORT CONNECTOR, 20 POSITION, VERTICAL, DIP TYPE	
0 PLC ± -		PRODUCT SPEC	-	SIZE	CAGE CODE
1 PLC ± -		APPLICATION SPEC	-	DRAWING NO	RESTRICTED TO
2 PLC ± -				WEIGHT	0.000000
3 PLC ± -				A2	00779
4 PLC ± -				C=2041441	-
ANGLES ± -				SCALE	1:1
FINISH				SHEET	2 OF 4
MATERIAL				REV	D2
		CUSTOMER DRAWING			

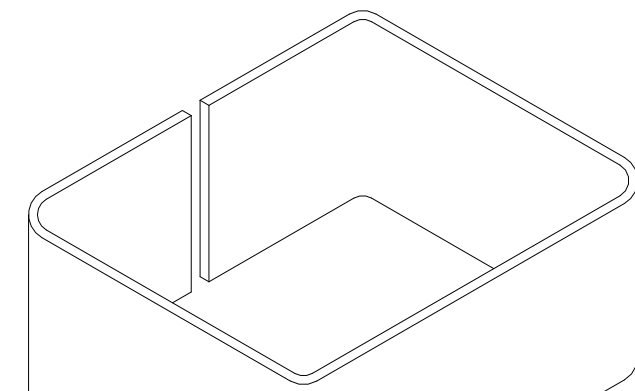
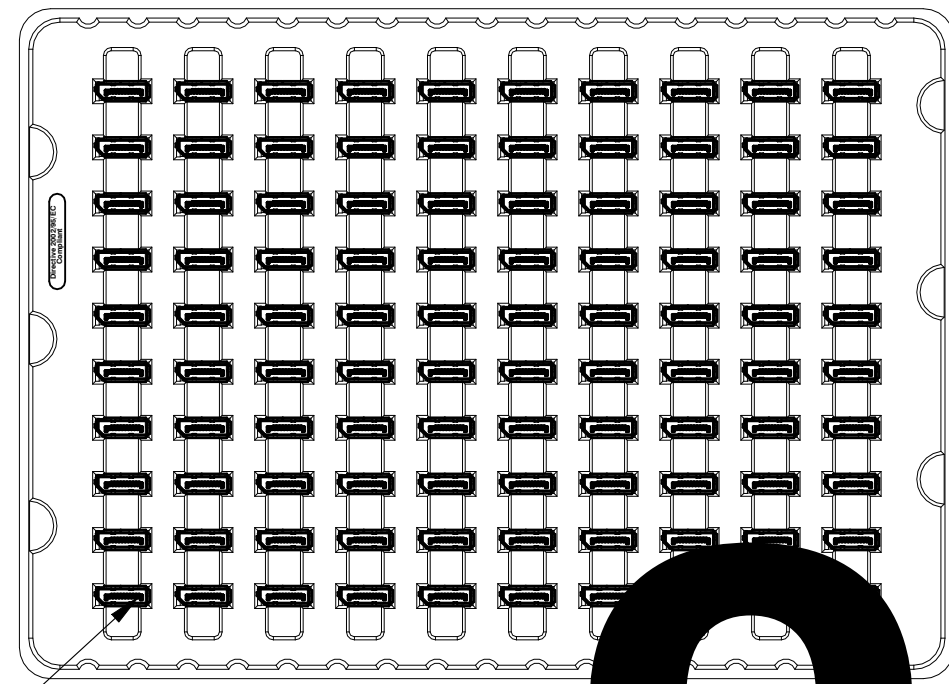
REVISIONS					
P	LTR	DESCRIPTION	DATE	DWN	APVD
-	-	SEE SHEET 1	-	-	-



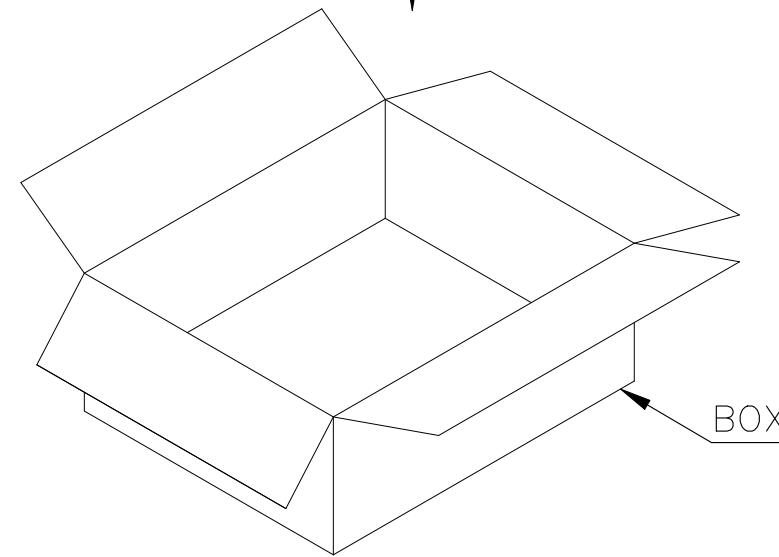
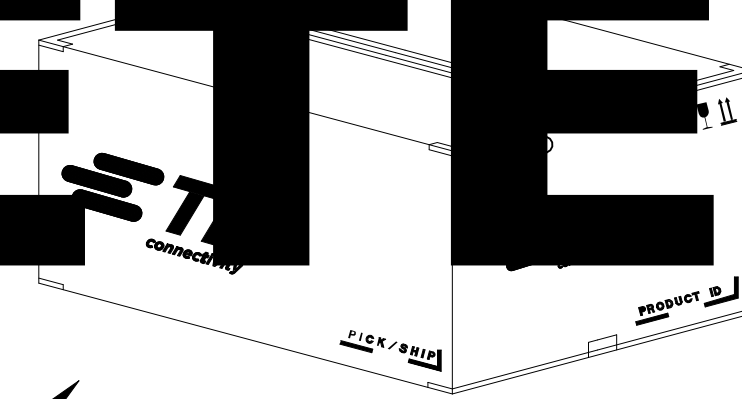
NOTES:

- MATERIAL:
 TRAY: PET
 SPONGE: EPS
 AIR CAP: PE
 FOLDER: SINGLE WALL CORRUGATED.
 BOX: FIBREBOARD, CORRUGATED, DOUBLE WALL.

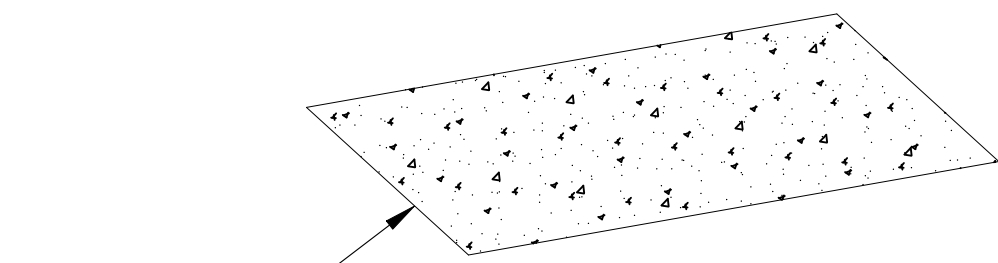
- DIMENSION:
 TRAY: L=300mm, W=215mm, H=20.8mm
 SPONGE: L=330mm, W=220mm, H=0.5mm
 AIR CAP: L=850mm, W=315mm, H=8mm
 FOLDER: L=1100mm, W=130mm, H=3mm
 BOX: L=325mm, W=250mm, H=232mm



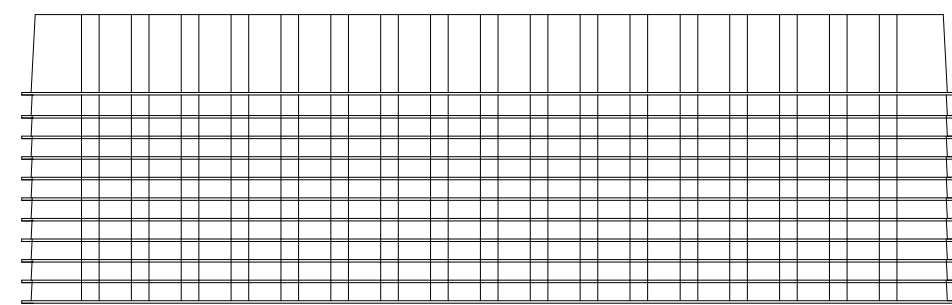
OBSOLETE



FOR PN 2041441-1,2041441-2,2041441-3

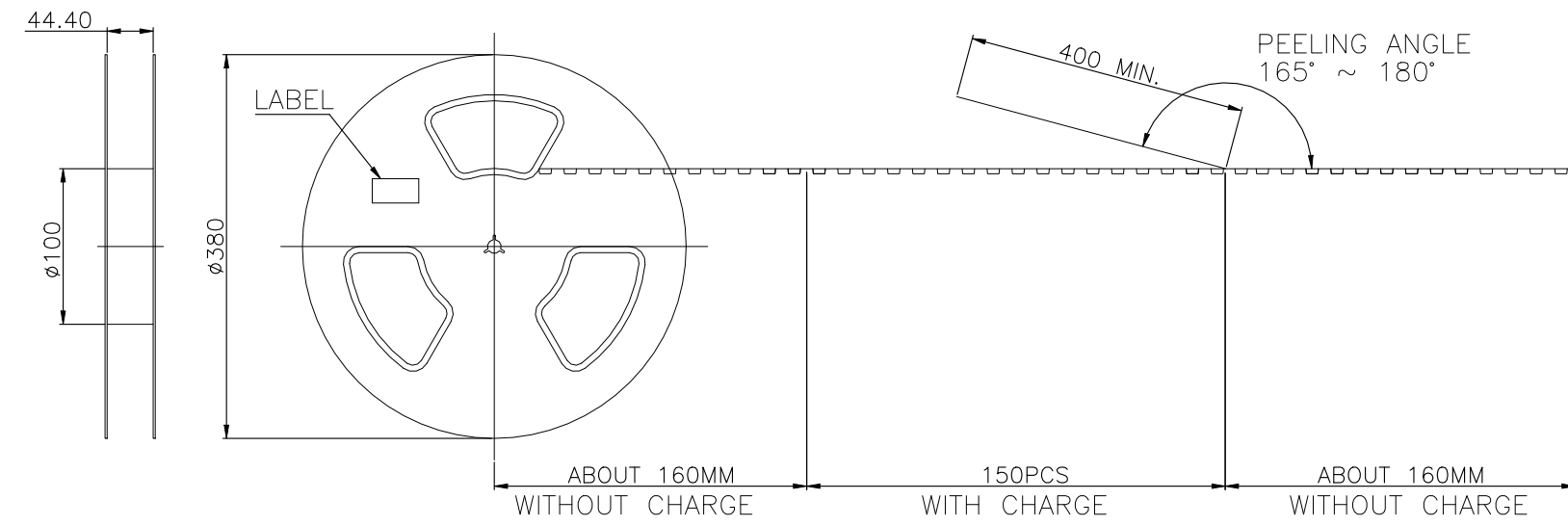


1000	10	100	2.84 Kg	5.62 Kg
PCS /BOX	TRAYS /BOX	PCS /TRAY	NET WEIGHT	GROSS WEIGHT



THIS DRAWING IS A CONTROLLED DOCUMENT.		DWN J. LAI	12DEC2011	TE TE Connectivity	
DIMENSIONS: mm		CHK W. KODAMA	APVD S. CHIEN		
TOLERANCES UNLESS OTHERWISE SPECIFIED:		APPLICATION SPEC		SIZE	RESTRICTED TO
0 PLC ± -		-		CAGE CODE	-
1 PLC ± -		-		DRAWING NO	
2 PLC ± -		-		WEIGHT	0.000000
3 PLC ± -		-		SCALE	1:1
4 PLC ± -		-		SHEET	3 of 4
ANGLES ± -		-		REV	D2
FINISH		-		CUSTOMER DRAWING	

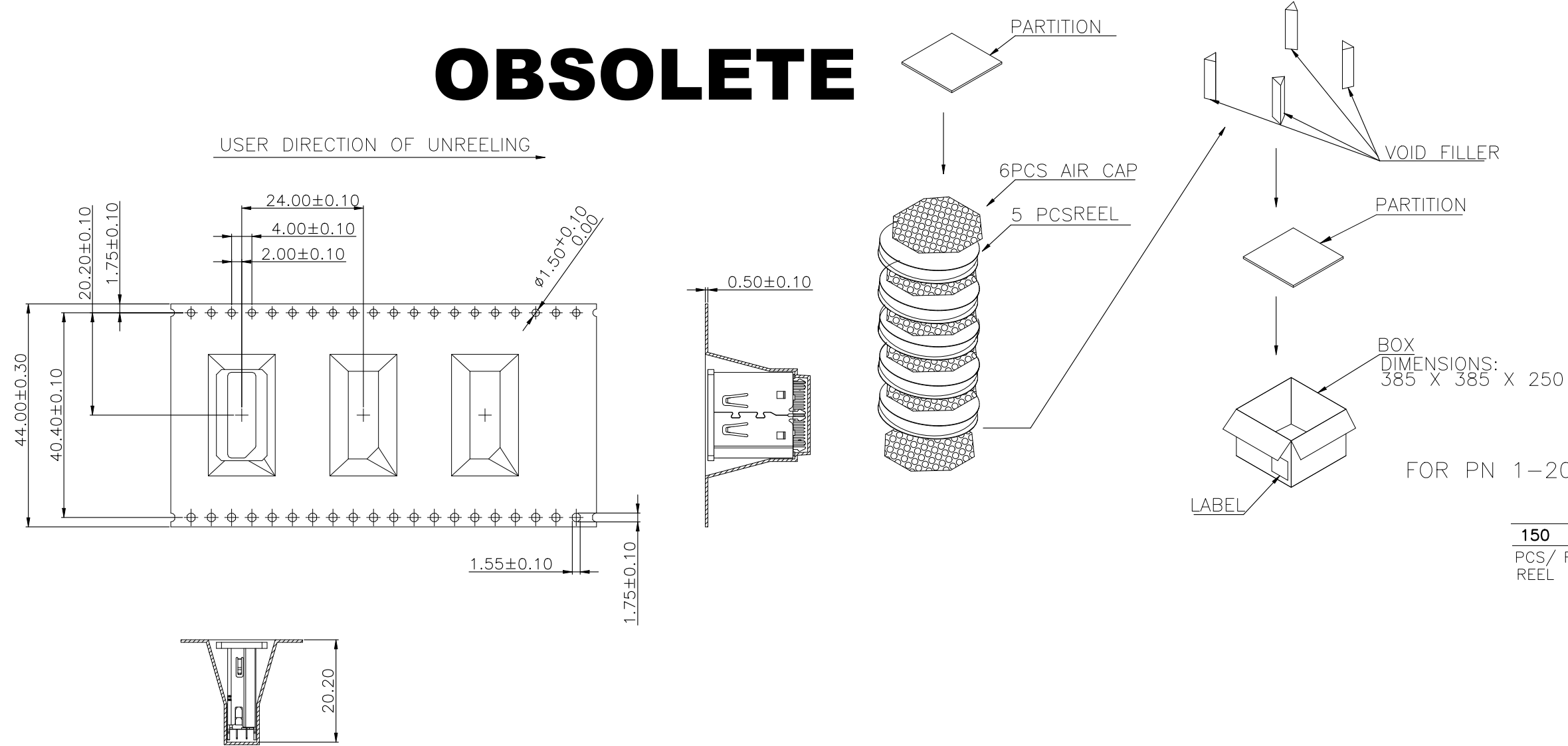
P	LTR	DESCRIPTION	DATE	DWN	APVD
-	-	SEE SHEET 1	-	-	-



NOTES:

1. MATERIAL:
 BOX: FIBREBOARD, CORRUGATED, DOUBLE WALL.
 COVER TAPE: PET, TRANSPARENT COLOR.
 CARRIER TAPE: POLYSTYRENES, BLACK COLOR.
 REEL: POLYSTYRENES, BLUE COLOR.
2. PEELING STRENGTH: 0.1 ~ 1.3 N (10 ~ 130 GRAMS)
3. PEELING SPEED: 300 mm/min.

OBSELETE



FOR PN 1-2041441-2

150	5	750
PCS/ REELS/ REEL	REEL	PCS/BOX

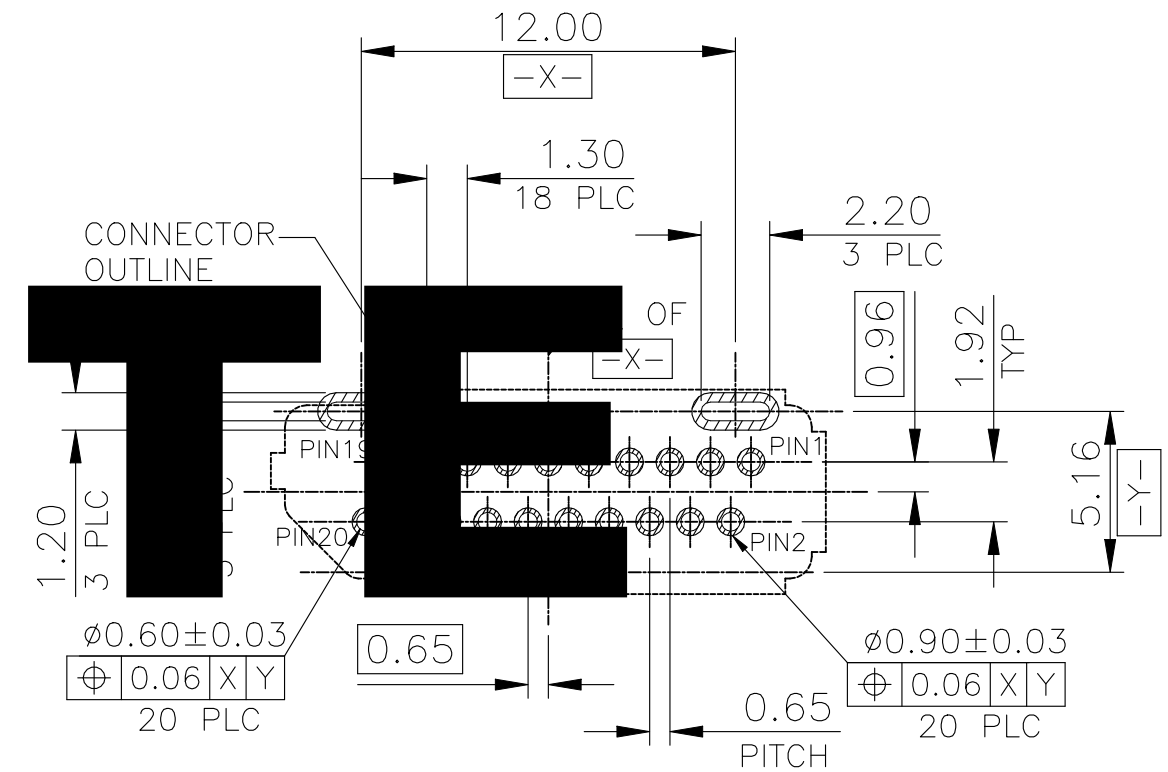
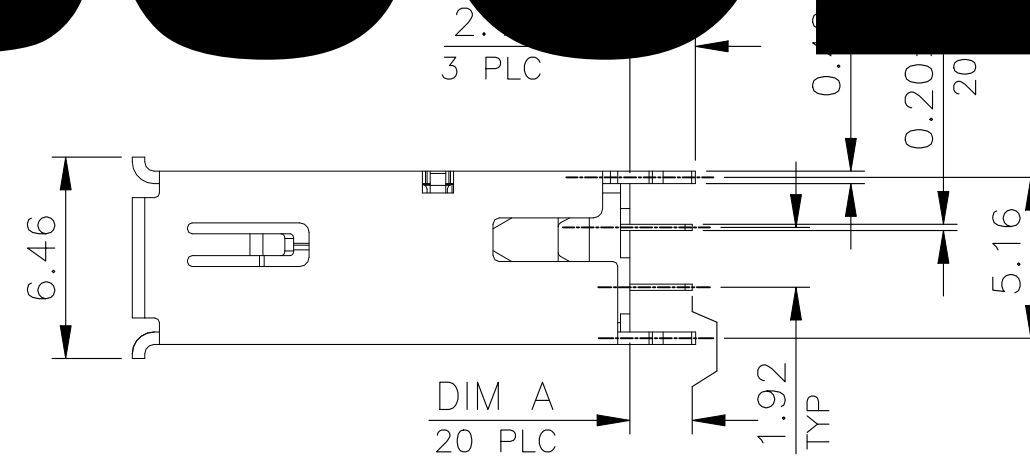
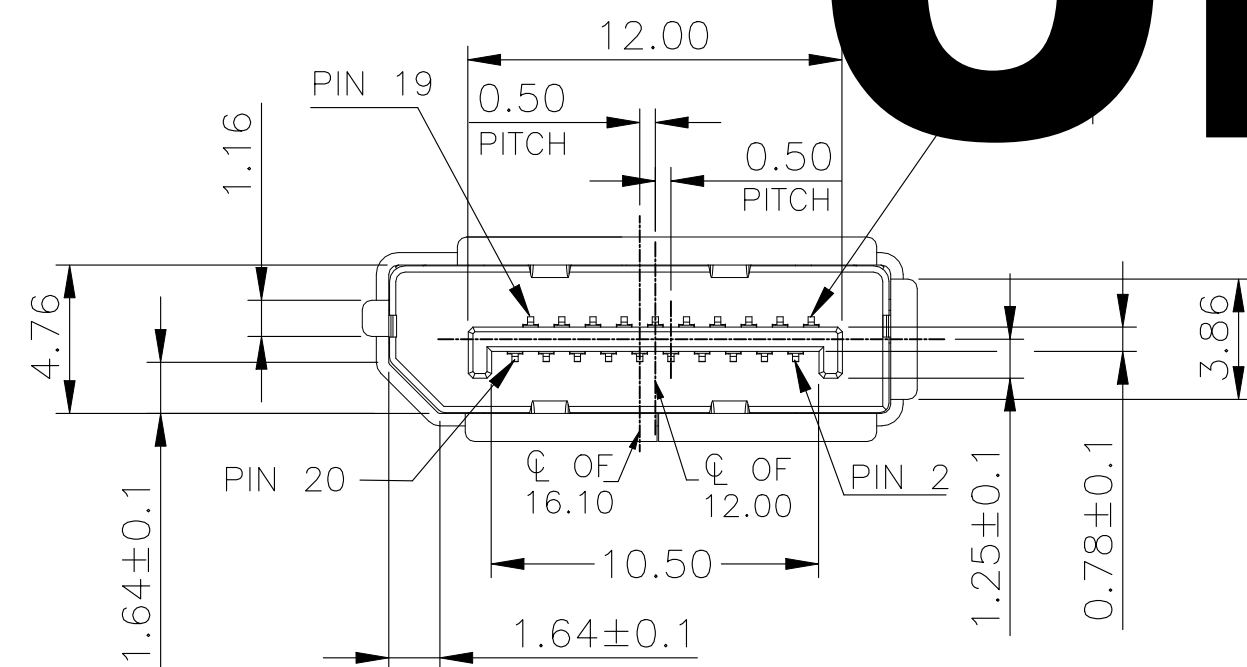
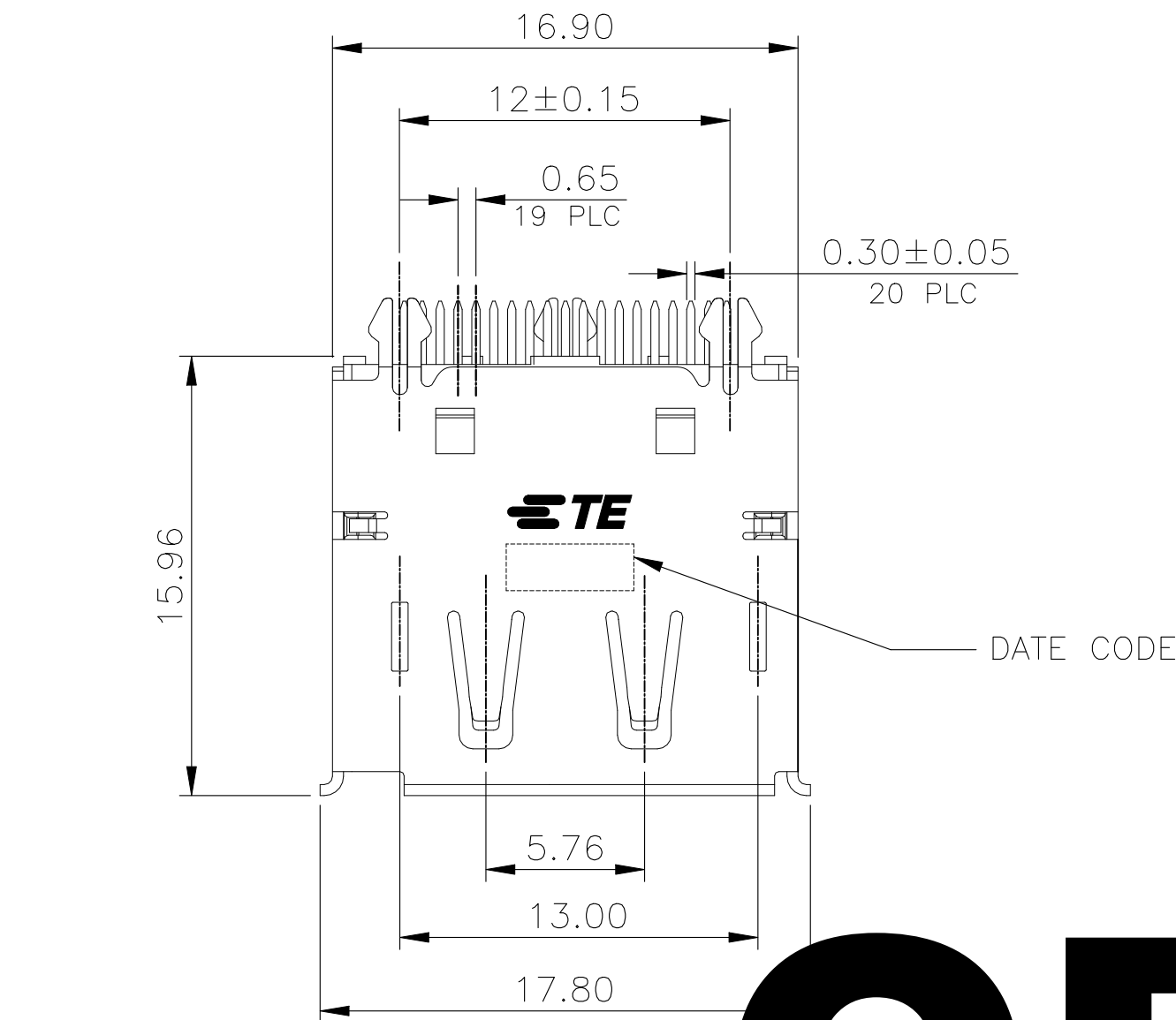
THIS DRAWING IS A CONTROLLED DOCUMENT.		DWN J. LAI	12DEC2011																				
DIMENSIONS: mm		CHK W. KODAMA	APVD S. CHIEN			NAME DISPLAYPORT CONNECTOR, 20 POSITION, VERTICAL, DIP TYPE																	
TOLERANCES UNLESS OTHERWISE SPECIFIED:		PRODUCT SPEC		SIZE A2	CAGE CODE 00779																		
<table border="1"> <tr><td>0 PLC</td><td>±</td><td>-</td></tr> <tr><td>1 PLC</td><td>±</td><td>-</td></tr> <tr><td>2 PLC</td><td>±</td><td>-</td></tr> <tr><td>3 PLC</td><td>±</td><td>-</td></tr> <tr><td>4 PLC</td><td>±</td><td>-</td></tr> <tr><td>ANGLES</td><td>±</td><td>-</td></tr> </table>		0 PLC	±	-	1 PLC	±	-	2 PLC	±	-	3 PLC	±	-	4 PLC	±	-	ANGLES	±	-	APPLICATION SPEC		DRAWING NO C=2041441	RESTRICTED TO
0 PLC	±	-																					
1 PLC	±	-																					
2 PLC	±	-																					
3 PLC	±	-																					
4 PLC	±	-																					
ANGLES	±	-																					
MATERIAL		WEIGHT 0.000000		SCALE 1:1	SHEET 4 OF 4																		
FINISH		CUSTOMER DRAWING		REV D2																			

REVISIONS					
P	LTR	DESCRIPTION	DATE	DWN	APVD
-	-	SEE SHEET 1	-	-	-

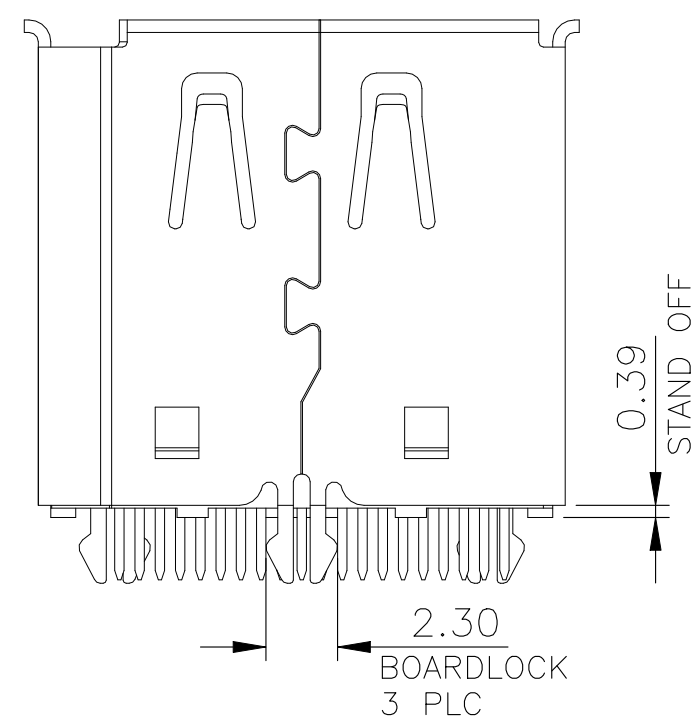
NOTE:

- MATERIAL:
 - HOUSING/SPACER: LCP WITH 30% GF, UL94 V-0, BLACK COLOR.
 - SHELL: PHOSPHOR BRONZE
 - CONTACT: BRASS
- FINISH:
 - CONTACT:
 - (SEE TABLE) GLOD PLATED ON CONTACT AREA
 - 2.54µm [100µ"] MIN. MATTE-TIN ON SOLDER TAIL
 - 1.27µm [50µ"] MIN. NICKEL UNDERPLATE OVERALL
 - SHELL:
 - 1.27µm [50µ"] MIN. NICKEL UNDERPLATING OVERALL.
- REFLOW SOLDER CAPABLE TO 260°C PER TEC-109-201.
- LOW HALOGEN SPECIFICATION:
 - CHLORINE(CL): 900 ppm MAX.
 - BROMINE(BR): 900 ppm MAX.
 - CL + BR : 1500 ppm MAX.

OBSOLETE



RECOMMENDED P.C.B LAYOUT <TOP VIEW>
THICKNESS: 1.60mm, TOLERANCE: ±0.05mm



OBSOLETE	0.381µm [15µ"]	2.10	2041441-3
OBSOLETE	0.381µm [15µ"]	2.50	2041441-2
OBSOLETE	0.762µm [30µ"]	2.10	2041441-1
	MIN. GOLD THICKNESS	DIM A	PART NUMBER

THIS DRAWING IS A CONTROLLED DOCUMENT.		DWN J. LAI	12DEC2011		
DIMENSIONS: mm		CHK W. KODAMA	-		
TOLERANCES UNLESS OTHERWISE SPECIFIED:		APVD S. CHIEN	-	NAME DISPLAYPORT CONNECTOR, 20 POSITION, VERTICAL, DIP TYPE	
0 PLC ± -		PRODUCT SPEC	-	SIZE	CAGE CODE
1 PLC ± -		APPLICATION SPEC	-	DRAWING NO	RESTRICTED TO
2 PLC ± -				A2	00779
3 PLC ± -				C=2041441	-
4 PLC ± -				SCALE	SHEET
ANGLES ± -				1:1	5 of 4
MATERIAL	FINISH	WEIGHT	0.000000	REV	D2
-	-	CUSTOMER DRAWING			