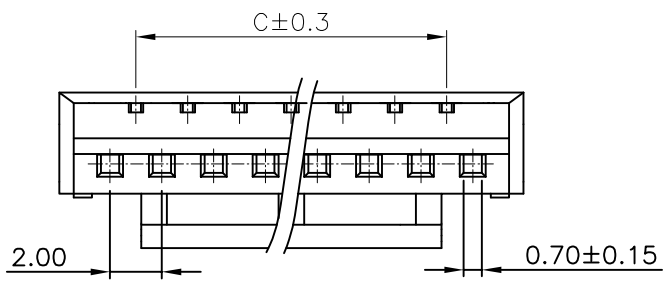
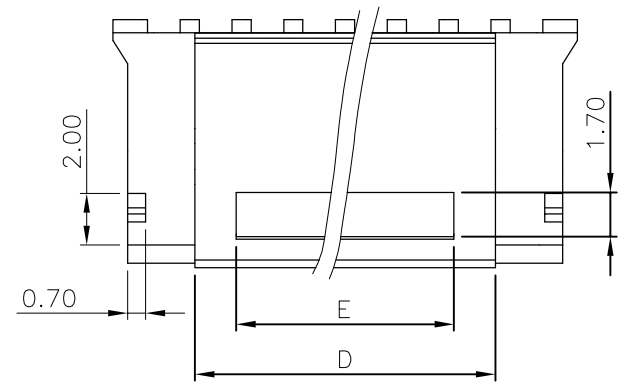
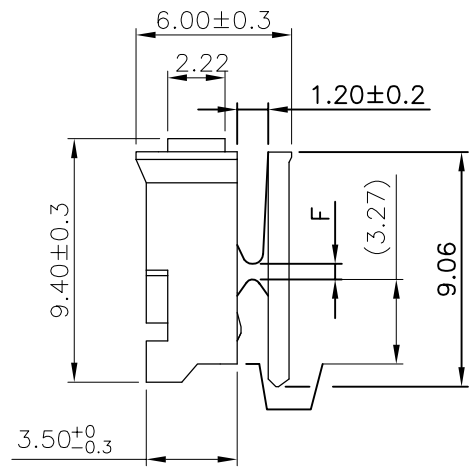
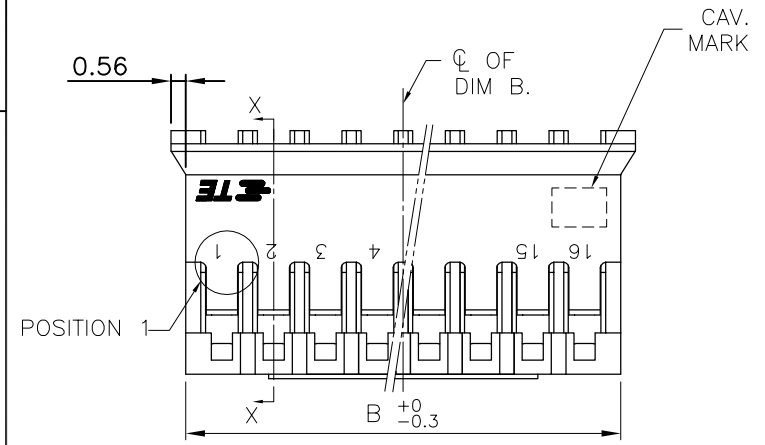
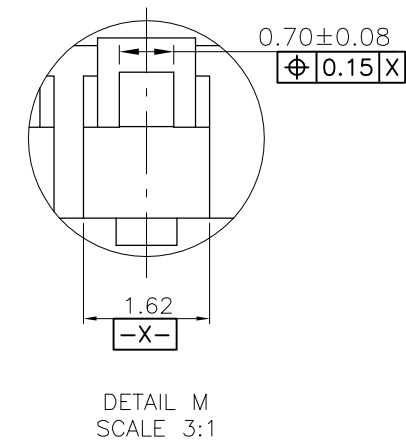
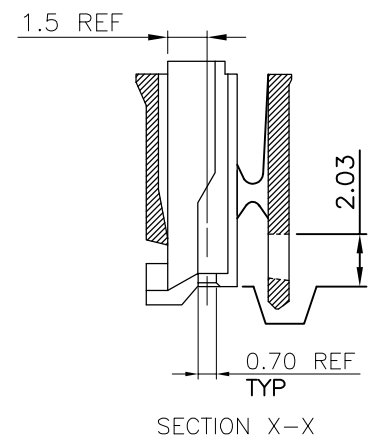
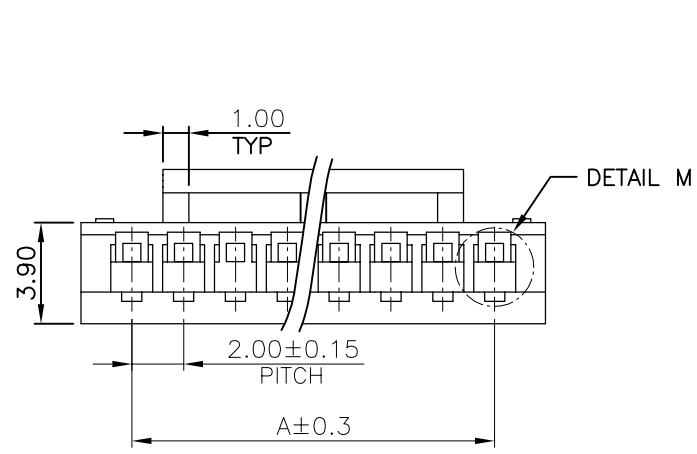


THIS DRAWING IS UNPUBLISHED. RELEASED FOR PUBLICATION
 © COPYRIGHT 2011 BY TYCO ELECTRONICS CORPORATION. ALL RIGHTS RESERVED.

LOC		DIST		REVISIONS			
P	LTR	DESCRIPTION		DATE	DWN	APVD	
C1		REVISED (ECO-16-002887)		05APR2016	J.J	W.H	



THIS DRAWING IS A CONTROLLED DOCUMENT.		DWN J. LAI 05SEP2011		
DIMENSIONS: mm		CHK S. CHIEN 05SEP2011		
TOLERANCES UNLESS OTHERWISE SPECIFIED:		APVD W. KODAMA 05SEP2011	NAME	
0 PLC ± - 1 PLC ± 0.3 2 PLC ± 0.2 3 PLC ± 0.15 4 PLC ± - ANGLES ± 3°		PRODUCT SPEC 108-57788		HPI, 2.0MM PITCH CONNECTOR, RECEPTACLE, WITH LATCH
MATERIAL SEE NOTE SHEET 2.		APPLICATION SPEC		RESTRICTED TO
FINISH SEE NOTE SHEET 2.		WEIGHT SHEET.2	SIZE A3	CAGE CODE 00779
		DRAWING NO C=2041423		SCALE -
CUSTOMER DRAWING		SHEET 1 of 3		REV C1

4

3

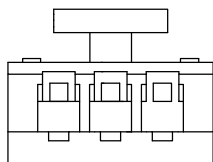
2

1

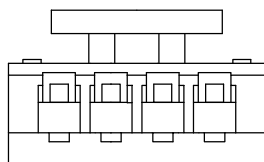
THIS DRAWING IS UNPUBLISHED. RELEASED FOR PUBLICATION
© COPYRIGHT 2011 BY TYCO ELECTRONICS CORPORATION. ALL RIGHTS RESERVED.

LOC	DIST	REVISIONS			
P	LTR	DESCRIPTION	DATE	DWN	APVD
DW	/	SEE SHEET 1.			

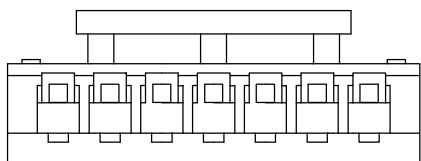
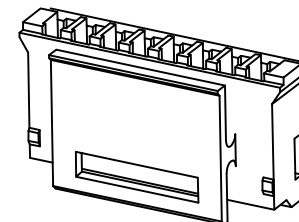
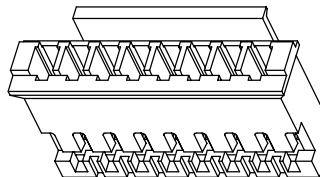
- NOTE:
 1. HOUSING: NYLON 66 WITH 0% GF, UL 94V-0, NATURAL COLOR
 2. SUITABLE TE CONTACT: 1735801-1
 3. MATING SIDE TE PN: X-2041145-X
 4. APPLICABLE WIRE SIZE #24~#30 ONLY



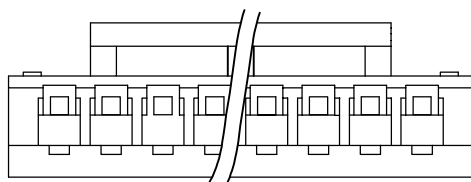
3 PIN



4 PIN



7 PIN



8~16P

OBSOLETE	-0.74		8.60	27.60	28.00	32.80	30.00	16P	1	2041423-6
OBSOLETE	-0.69		8.60	25.60	26.00	30.80	28.00	15P	1	2041423-5
	0.65		8.60	23.60	24.00	28.80	26.00	14P	1	2041423-4
OBSOLETE	-0.61		8.60	21.60	22.00	26.80	24.00	13P	1	2041423-3
OBSOLETE	-0.57	0.70	8.60	19.60	20.00	24.80	22.00	12P	1	2041423-2
	0.53		8.60	17.60	18.00	22.80	20.00	11P	1	2041423-1
OBSOLETE	-0.50		8.60	15.60	16.00	20.80	18.00	10P	1	2041423-0
	0.46		8.60	13.60	14.00	18.80	16.00	9P		2041423-9
	0.42		8.60	11.60	12.00	16.80	14.00	8P		2041423-8
OBSOLETE	-0.38		8.60	9.60	10.00	14.80	12.00	7P		2041423-7
	0.30		4.60	7.60	8.00	12.80	10.00	6P		2041423-6
OBSOLETE	-0.27	1.00	4.60	6.60	6.00	10.80	8.00	5P		2041423-5
	0.23		4.60	6.60	4.00	8.80	6.00	4P		2041423-4
OBSOLETE	-0.17		2.60	4.40	2.00	6.80	4.00	3P		2041423-3
		WEIGHT(g)	F	E	D	C	B	A	POS	PART NUMBER

THIS DRAWING IS A CONTROLLED DOCUMENT.

DIMENSIONS: mm

TOLERANCES UNLESS OTHERWISE SPECIFIED:
 0 PLC ± -
 1 PLC ± 0.3
 2 PLC ± 0.2
 3 PLC ± 0.15
 4 PLC ANGLES ± 3°

MATERIAL: _____ FINISH: _____

TE Connectivity

HPI, 2.0MM PITCH CONNECTOR, RECEPTACLE, WITH LATCH

SIZE: A3 CAGE CODE: 00779 DRAWING NO: C=2041423 RESTRICTED TO: _____

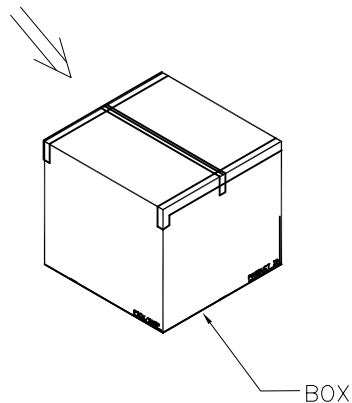
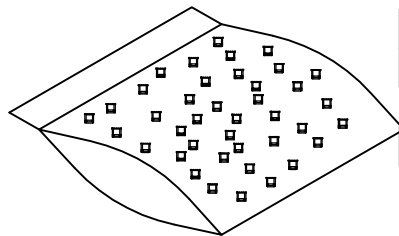
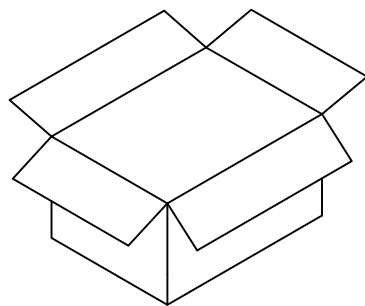
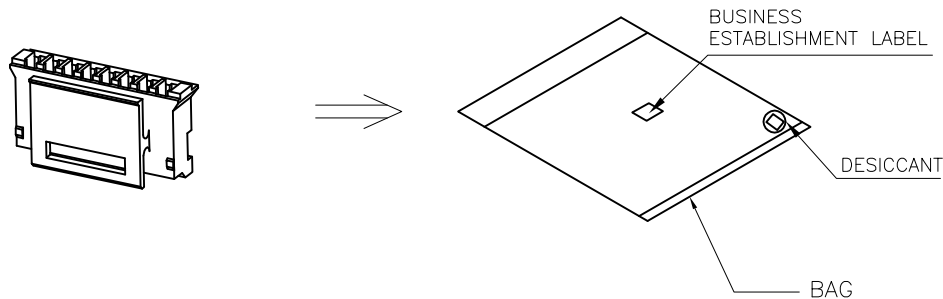
CUSTOMER DRAWING SCALE: _____ SHEET: 2 of 3 REV: C1

THIS DRAWING IS UNPUBLISHED. RELEASED FOR PUBLICATION
 © COPYRIGHT 2011 BY TYCO ELECTRONICS CORPORATION. ALL RIGHTS RESERVED.

LOC	DIST	REVISIONS			
P	LTR	DESCRIPTION	DATE	DWN	APVD
DW	/	SEE SHEET 1.			

NOTE:

- MATERIAL:
 BAG: PE
 CATTON: CORRUGATED FIBER
- DIMENSION:
 BAG:
 L=178MM W=178MM (SUITABLE FOR 3~5 POSTION)
 L=178MM W=267MM (SUITABLE FOR 6~8 POSTION)
 L=229MM W=279MM (SUITABLE FOR 9~16 POSTION)
 BOX:
 L=320MM W=220MM H=155MM (SUITABLE FOR 3~7 POSTION)
 L=470MM W=340MM H=365MM (SUITABLE FOR 8~16 POSTION)
- EACH BAG SHALL BE INCLUDED DESICCANT



OBSOLETE	11.83 KG	11.13 KG	15000 PCS	600	16	1-2041423-6
OBSOLETE	11.00 KG	10.29 KG	15000 PCS	600	15	1-2041423-5
	10.42 KG	9.72 KG	15000 PCS	600	14	1-2041423-4
OBSOLETE	11.68 KG	10.98 KG	18000 PCS	600	13	1-2041423-3
OBSOLETE	11.00 KG	10.30 KG	18000 PCS	600	12	1-2041423-2
	11.90 KG	11.20 KG	21000 PCS	600	11	1-2041423-1
OBSOLETE	12.60 KG	11.90 KG	24000 PCS	600	10	1-2041423-0
	13.06 KG	12.36 KG	27000 PCS	600	9	2041423-9
	13.30 KG	12.60 KG	30000 PCS	600	8	2041423-8
OBSOLETE	2.34 KG	2.29 KG	6000 PCS	600	7	2041423-7
	2.48 KG	2.18 KG	7200 PCS	600	6	2041423-6
OBSOLETE	2.70 KG	2.40KG	9000 PCS	600	5	2041423-5
	2.76 KG	2.46 KG	10800 PCS	600	4	2041423-4
OBSOLETE	2.34 KG	2.04 KG	12000 PCS	600	3	2041423-3
	GROSS WEIGHT	NET WEIGHT	QUANTITY	PCS/BAG	POS	PART NUMBER

THIS DRAWING IS A CONTROLLED DOCUMENT.

STE TE Connectivity

HPI, 2.0MM PITCH CONNECTOR, RECEPTACLE, WITH LATCH

SIZE: A3 CAGE CODE: 00779 C=2041423

CUSTOMER DRAWING SCALE: SHEET 3 of 3 REV C1

DIMENSIONS: mm	TOLERANCES UNLESS OTHERWISE SPECIFIED:	DWN	CHK	APVD	NAME
	0 PLC ± - 1 PLC ± 0.3 2 PLC ± 0.2 3 PLC ± 0.15 4 PLC ANGLES ± 3°	PRODUCT SPEC	APPLICATION SPEC	WEIGHT	RESTRICTED TO