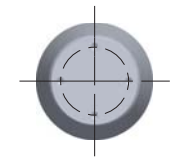
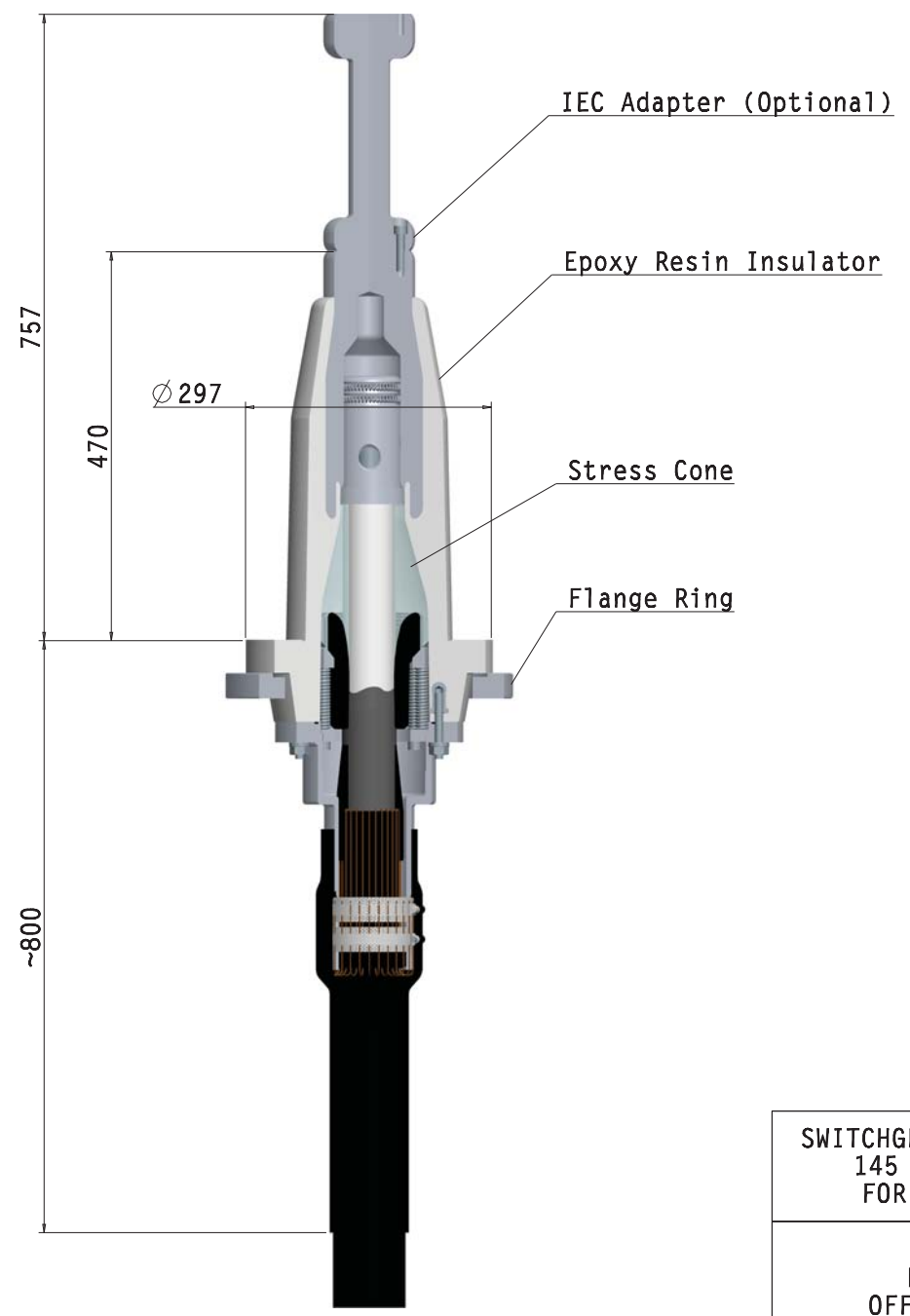
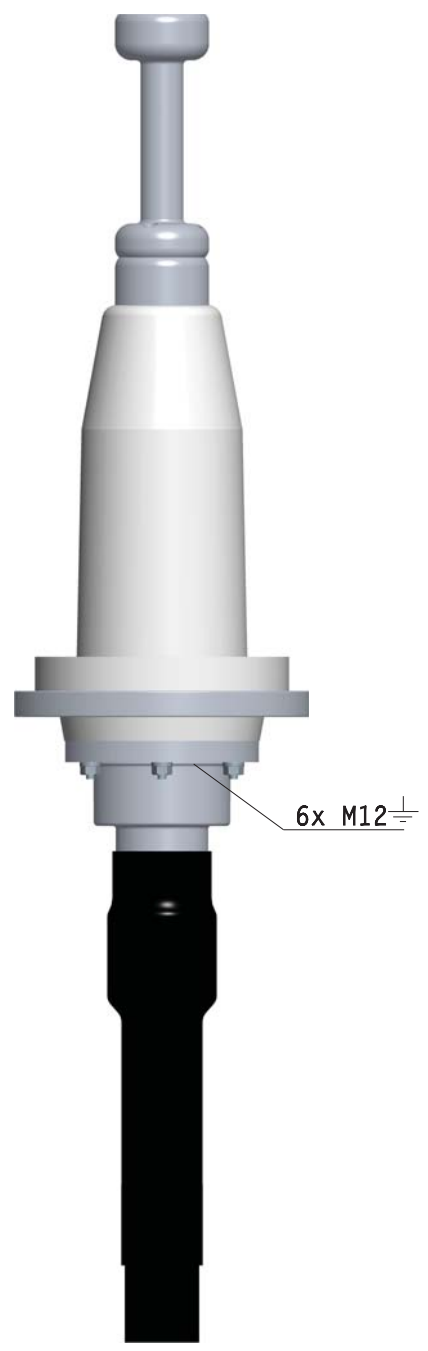
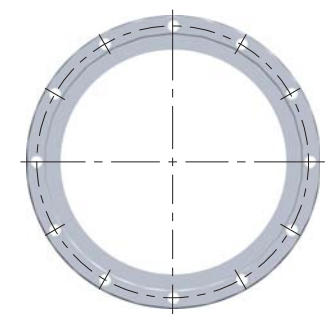


While TE Connectivity (TE) has made every reasonable effort to ensure the accuracy of the information in this catalog, TE does not guarantee that it is error free, nor does TE make any other representation, warranty, or implied warranties regarding the information contained herein, including, but not limited to, any implied warranties or merchantability or fitness for a particular purpose. The dimensions in this catalog are for reference purpose only and are subject to change without notice. Specifications are subject to change without notice. Consult TE for the latest dimensions and design specifications.




4xM10x25
BORES ON $\varnothing 80$
CONNECTION INTERFACE
ACC. TO IEC 62271-209



12x $\varnothing 14.5$ BORES
ON $\varnothing 320$
BASE FLANGE
ACC. TO IEC 62271-209
(IEC 60859)

SWITCHGEAR TERMINATION
145 KV DRY TYPE
FOR XLPE-CABLE

PHVS-145
OFFER DRAWING



Raychem High Voltage Cable Accessories

TE Connectivity drawing no: EPD-204-1261-00 REV. 1