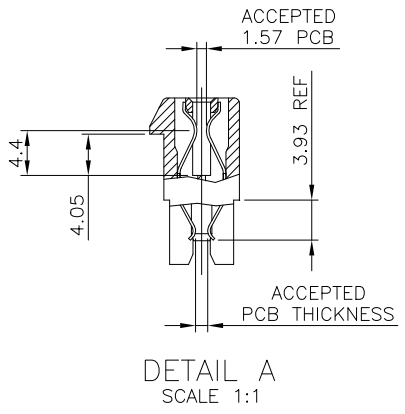
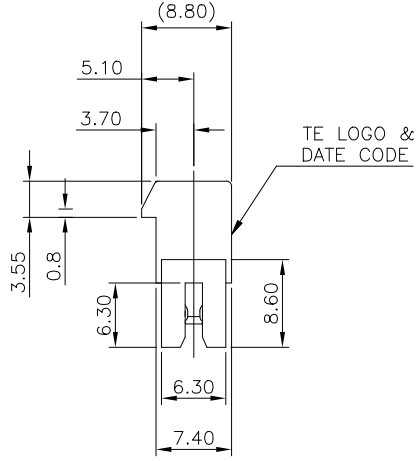
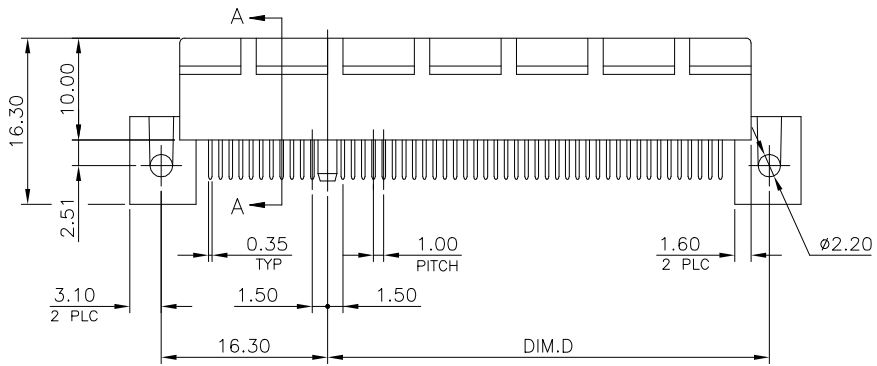
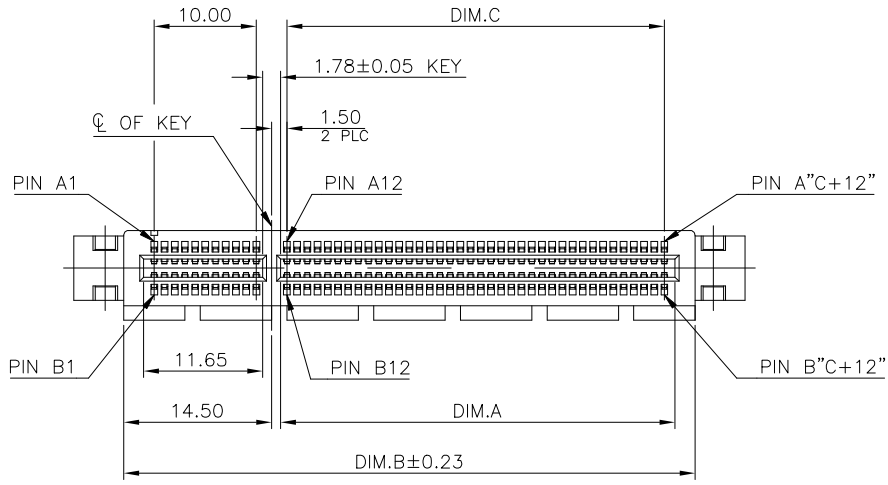


THIS DRAWING IS UNPUBLISHED. RELEASED FOR PUBLICATION
 © COPYRIGHT - By - ALL RIGHTS RESERVED.

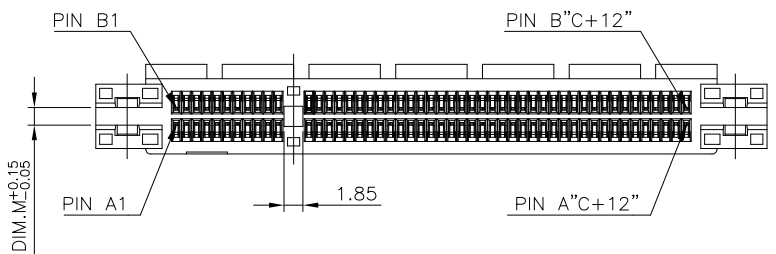
REVISIONS					
P	LTR	DESCRIPTION	DATE	DWN	APVD
D1		REVISED PER ECR-19-007239	09MAY2019	AL	HL

NOTES:

- MATERIAL:
 - HOUSING: PA9T WITH 40% G.F, UL94V-0, COLOR: BLACK
 - CAP: LCP WITH 30%, UL94 V-0, COLOR: BLACK
 - CONTACT: PHOSPHOR BRONZE
- FINISH:
 - CONTACT:
 - GOLD PLATING (SEE TABLE) ON CONTACT AREA.
 - 2.54um [100u"] MIN. MATTE-TIN PLATING ON SOLDER TAIL AREA.
 - 1.27um [50u"] MIN. NICKEL UNDERPLATING OVERALL.
- RECOMMENDED P.C.B THICKNESS : 1.57mm
- REFLOW SOLDER CAPABLE TO 260°C PER TEST SPEC. TEC-109-201, CONDITION B.
- STRADDLE MOUNT PCB THICKNESS OPTION.



11.6 g	71.65	89.0	70.0	76.30	164
7.4 g	38.65	56.0	37.0	43.30	98
4.2 g	21.65	39.0	20.0	26.30	64
3.1g	7.65	25.0	6.0	12.30	36
WEIGHT	DIM.A	DIM.B	DIM.C	DIM.D	POSITION



THIS DRAWING IS A CONTROLLED DOCUMENT.		DWN E. LIU 25FEB2011			
		CHK S. CHIEN 25FEB2011			
		APVD W. KODAMA 25FEB2011	NAME		
DIMENSIONS: mm		TOLERANCES UNLESS OTHERWISE SPECIFIED:		PCI EXPRESS CARD EDGE CONNECTOR VERTICAL, STRADDLE MOUNT TYPE	
		0 PLC ± - 1 PLC ± 0.3 2 PLC ± 0.20 3 PLC ± 0.15 4 PLC ± - ANGLES ± 3°		PRODUCT SPEC 108-57854	
MATERIAL SEE NOTE		FINISH SEE NOTE		APPLICATION SPEC -	
		WEIGHT -		SIZE A3	
		CUSTOMER DRAWING		CAGE CODE 00779	
				DRAWING NO C=2041255	
				RESTRICTED TO -	
				SCALE 1:1	
				SHEET 1 OF 6	
				REV D1	

THIS DRAWING IS UNPUBLISHED.

RELEASED FOR PUBLICATION

-. .


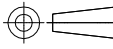
ALL RIGHTS RESERVED.

© COPYRIGHT - By -

REVISIONS

P	LTR	DESCRIPTION	DATE	DWN	APVD
-		SEE SHEET 1	-	-	-

VACUUM	2.50	2.30mm [0.091"]	0.762um [30u"]	36	3-2041255-1
STANDARD				36	3-2041255-3
VACUUM	2.50	2.03mm [0.080"]		36	1-2041255-1
STANDARD				36	1-2041255-3
VACUUM	1.70	1.57mm [0.062"]		36	2041255-1
STANDARD				36	2041255-3
VACUUM	2.50	2.30mm [0.091"]	98	3-2041255-5	
STANDARD	2.50	2.30mm [0.091"]	36	5-2041255-3	
VACUUM			36	5-2041255-1	
STANDARD	1.70	1.57mm [0.062"]	64	2-2041255-6	
VACUUM	2.50	2.30mm [0.091"]	98	2-2041255-5	
STANDARD			164	2-2041255-2	
VACUUM	2.50	2.03mm [0.080"]	36	4-2041255-1	
STANDARD			36	4-2041255-3	
STANDARD			98	1-2041255-5	
VACUUM			164	1-2041255-2	
VACUUM	1.70	1.57mm [0.062"]	36	2-2041255-1	
STANDARD			36	2-2041255-3	
STANDARD			98	2041255-5	
STANDARD			164	2041255-2	
PACKAGE TYPE	DIM.M	ACCEPTED PCB THICKNESS	MIN. GOLD THICKNESS	POSITION	PART NUMBER

THIS DRAWING IS A CONTROLLED DOCUMENT.		DWN E. LIU 25FEB2011	 TE Connectivity PCI EXPRESS CARD EDGE CONNECTOR VERTICAL, STRADDLE MOUNT TYPE						
DIMENSIONS: mm		CHK S. CHIEN 25FEB2011				APVD W. KODAMA 25FEB2011			
		PRODUCT SPEC 108-57854				NAME			
TOLERANCES UNLESS OTHERWISE SPECIFIED:		APPLICATION SPEC				RESTRICTED TO			
MATERIAL		FINISH		SIZE A3	CAGE CODE 00779	DRAWING NO C=2041255	SCALE 1:1	SHEET 2 OF 6	REV D1
				CUSTOMER DRAWING					

4

3

2

1

THIS DRAWING IS UNPUBLISHED.

RELEASED FOR PUBLICATION

-. - .

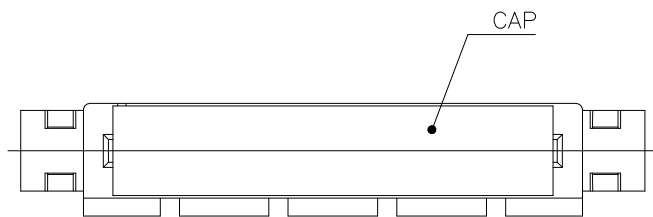
© COPYRIGHT - By -

ALL RIGHTS RESERVED.

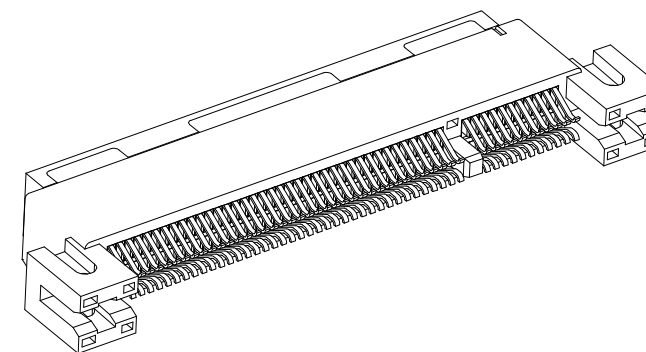
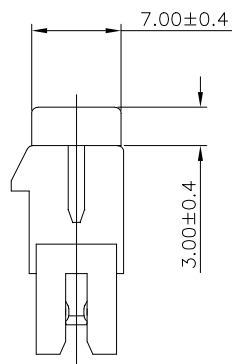
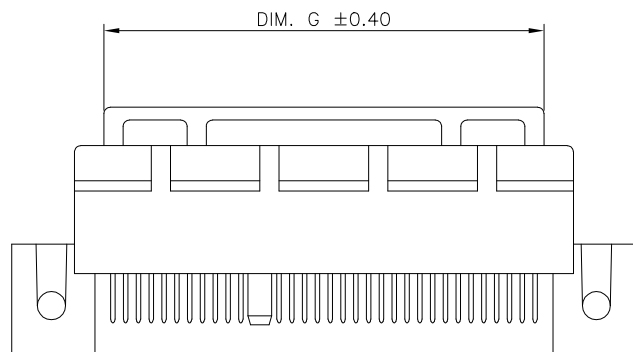
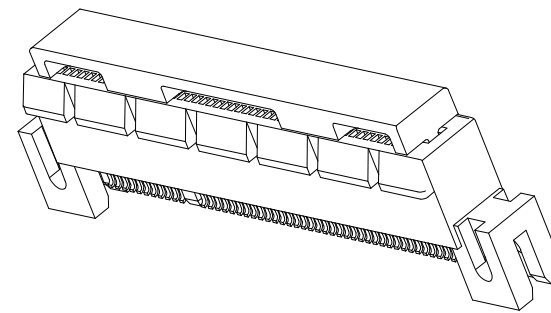
REVISIONS

P	LTR	DESCRIPTION	DATE	DWN	APVD
-		SEE SHEET 1	-	-	-

WITH CAP



164	84.4
98	51.4
64	34.4
36	20.4
POSITION	DIM G



THIS DRAWING IS A CONTROLLED DOCUMENT.

DWN E. LIU 25FEB2011

CHK S. CHIEN 25FEB2011

APVD W. KODAMA 25FEB2011

PRODUCT SPEC

108-57854

APPLICATION SPEC

WEIGHT -

CUSTOMER DRAWING

STE TE Connectivity

NAME
PCI EXPRESS CARD EDGE CONNECTOR
VERTICAL, STRADDLE MOUNT TYPE

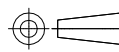
SIZE CAGE CODE DRAWING NO RESTRICTED TO

A3 00779 C=2041255 -

SCALE 1:1 SHEET 3 OF 6 REV D1

DIMENSIONS:

mm



TOLERANCES UNLESS OTHERWISE SPECIFIED:

0 PLC	± -
1 PLC	± 0.3
2 PLC	± 0.20
3 PLC	± 0.15
4 PLC	± -
ANGLES	± 3'

MATERIAL

-

FINISH

-

THIS DRAWING IS UNPUBLISHED.

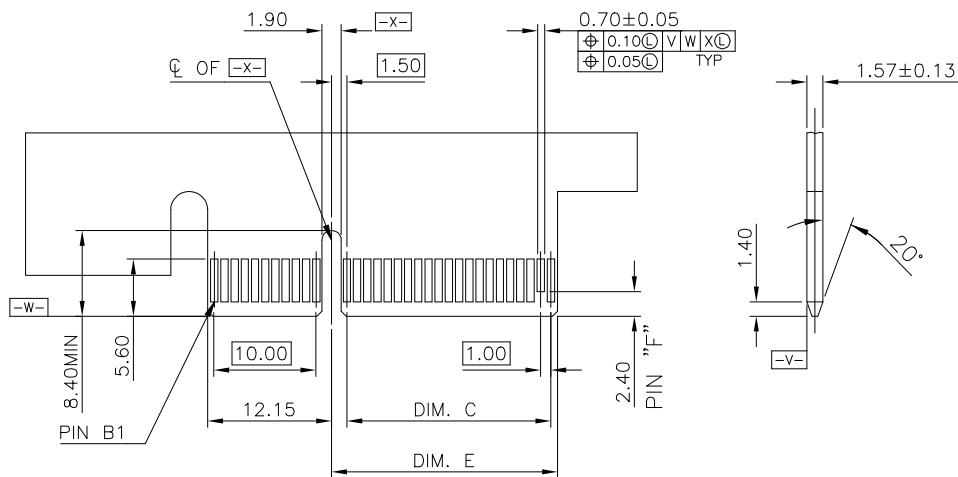
RELEASED FOR PUBLICATION

ALL RIGHTS RESERVED.

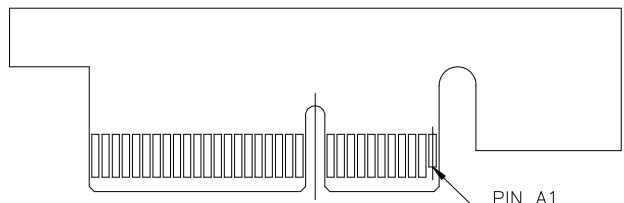
© COPYRIGHT - By -

REVISIONS

P	LTR	DESCRIPTION	DATE	DWN	APVD
-	-	SEE SHEET 1	-	-	-



1/0 PANEL DIRECTION
PRIMARY (COMPONENT) SIDE

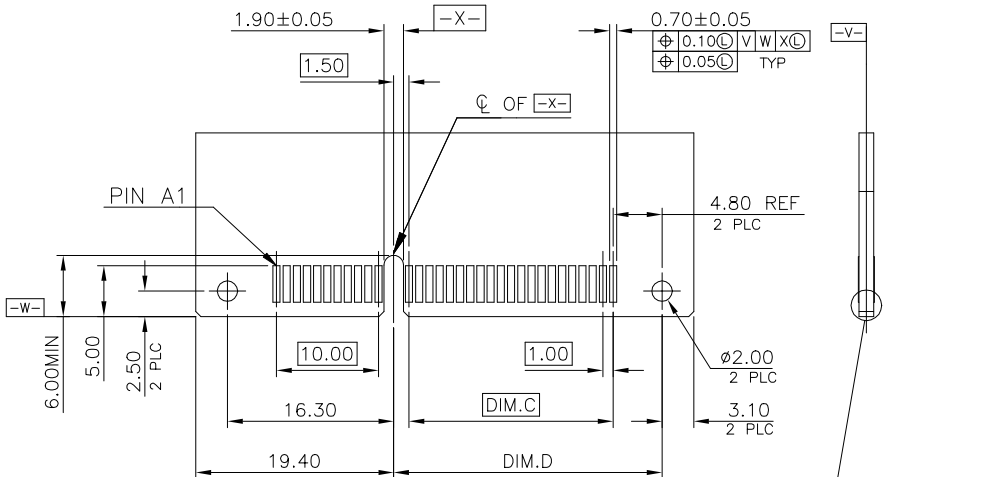


1/0 PANEL DIRECTION
SECONDARY (SOLDER) SIDE

ADD-IN CARD EDGE-FINGER DIMENSIONS

NOTES:
CHAMFER EDGE MUST BE FREE OF CUTTING BURRS

RECOMMEND MODULE CARD STRUCTURE




SCALE 2:1

RECOMMEND PCB LAYOUT

70.00	76.30	72.15	B81	164
37.00	43.30	39.15	B48	98
20.00	26.30	22.15	B31	64
6.00	12.30	8.15	B17	36
DIM.C	DIM.D	DIM.E	PIN "F" POSITION	

2.3 [0.091"]
2.03 [0.080"]
1.57 [0.062"]
ACCEPTED PCB THICKNESS DIM J

THIS DRAWING IS A CONTROLLED DOCUMENT.

DWN E. LIU 25FEB2011	 TE Connectivity PCI EXPRESS CARD EDGE CONNECTOR VERTICAL, STRADDLE MOUNT TYPE	SIZE	CAGE CODE	DRAWING NO	RESTRICTED TO
CHK S. CHIEN 25FEB2011		A3	00779	C=2041255	-
APVD W. KODAMA 25FEB2011		CUSTOMER DRAWING			
PRODUCT SPEC 108-57854		SCALE	1:1	SHEET	4 OF 6
APPLICATION SPEC	D1				
MATERIAL	FINISH				

THIS DRAWING IS UNPUBLISHED.

RELEASED FOR PUBLICATION

ALL RIGHTS RESERVED.

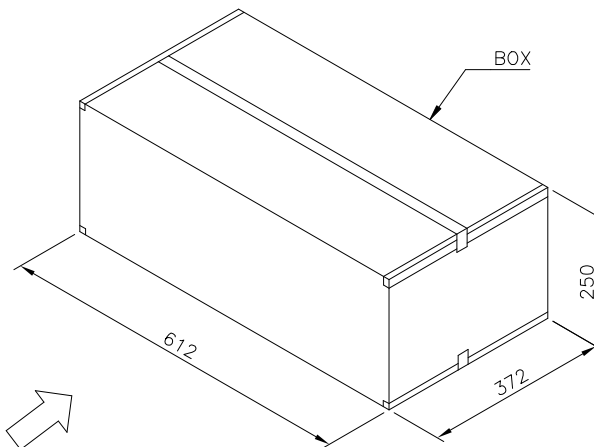
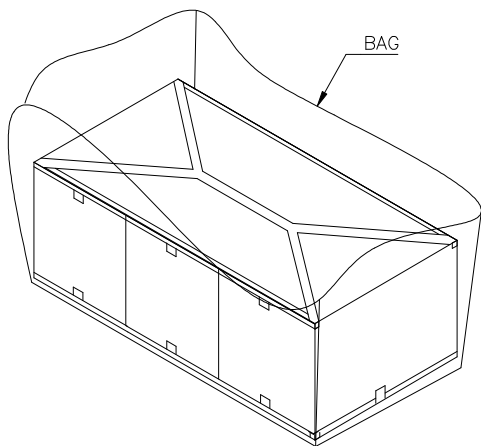
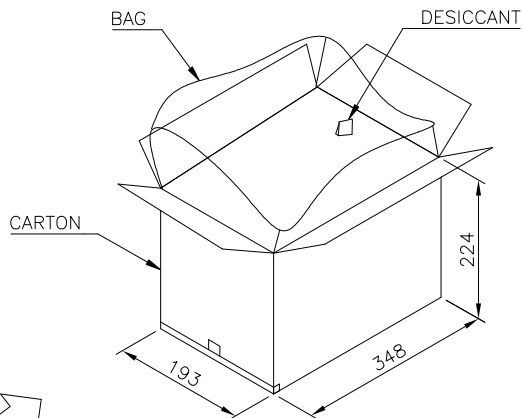
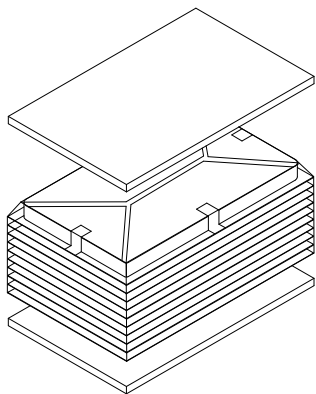
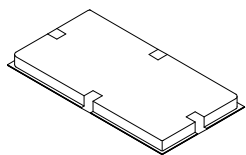
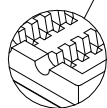
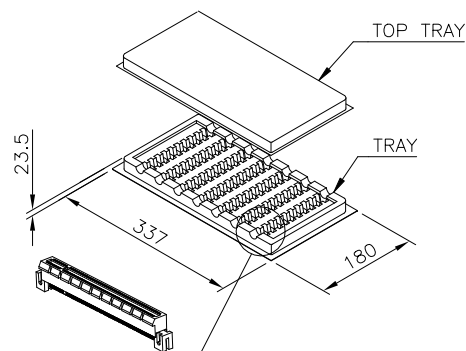
© COPYRIGHT - By -

REVISIONS

P	LTR	DESCRIPTION	DATE	DWN	APVD
-	-	SEE SHEET 1	-	-	-

NOTES :

- MATERIAL :
 TRAY: PVC, COLOR: TRANSPARENT.
 CARTON: CORRUGATED FIBER
 BOX: CORRUGATED FIBER
 TRANSPARENT BAG: PE, SIZE: 480mm*350mm*0.06mm
 600mm*590mm*0.06mm
- EACH BAG SHALL BE INCLUDED:
 * DESICCANT



12.9 KG	10.9 KG	30	10	3	900	164
11.3 KG	9.3 KG	40	10	3	1200	98
8.3 KG	6.3 KG	50	10	3	1500	64
8.5 KG	6.5 KG	70	10	3	2100	36
GROSS WEIGHT	NET WEIGHT	PCS/ TRAY	TRAY/ CARTON	CARTON/ BOX	PCS/ BOX	POS

STANDARD PACKAGE

THIS DRAWING IS A CONTROLLED DOCUMENT.

DIMENSIONS: mm	TOLERANCES UNLESS OTHERWISE SPECIFIED: 0 PLC ± - 1 PLC ± 0.3 2 PLC ± 0.20 3 PLC ± 0.15 4 PLC ANGLES ± - ± 3'	DWN E. LIU 25FEB2011		
	MATERIAL -	CHK S. CHIEN 25FEB2011	TE Connectivity	
		APVD W. KODAMA 25FEB2011	PCI EXPRESS CARD EDGE CONNECTOR VERTICAL, STRADDLE MOUNT TYPE	
		PRODUCT SPEC 108-57854	-	
		APPLICATION SPEC -	SIZE A3	RESTRICTED TO -
		WEIGHT -	CAGE CODE 00779	DRAWING NO C=2041255
		CUSTOMER DRAWING	SCALE 1:1	SHEET 5 OF 6
			REV D1	

THIS DRAWING IS UNPUBLISHED.

RELEASED FOR PUBLICATION

ALL RIGHTS RESERVED.

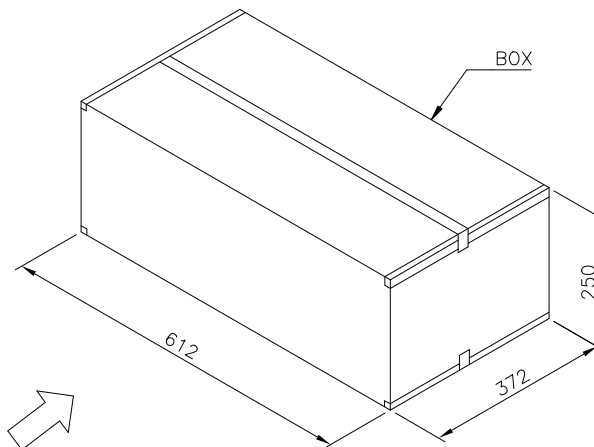
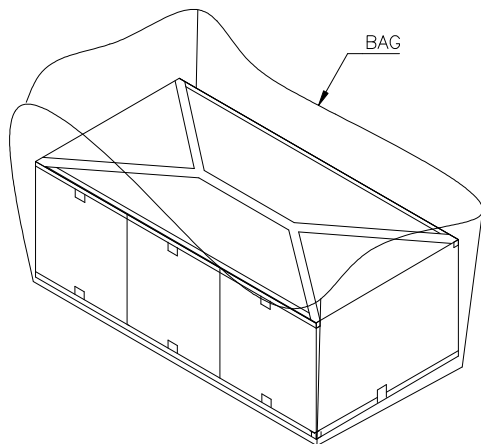
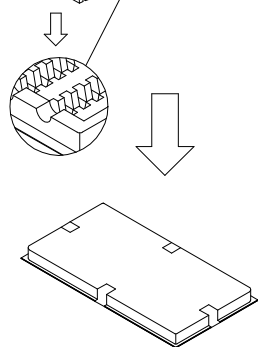
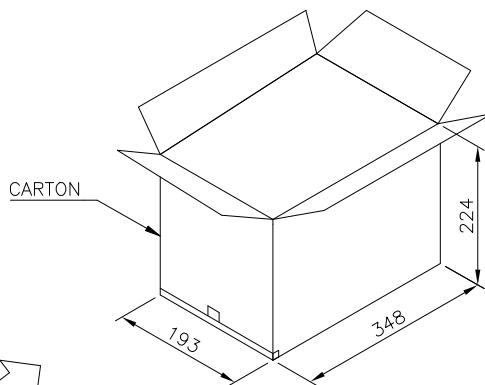
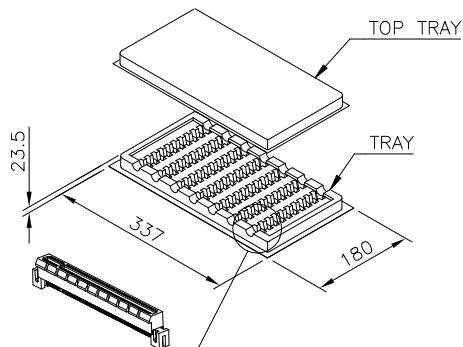
© COPYRIGHT - By -

REVISIONS

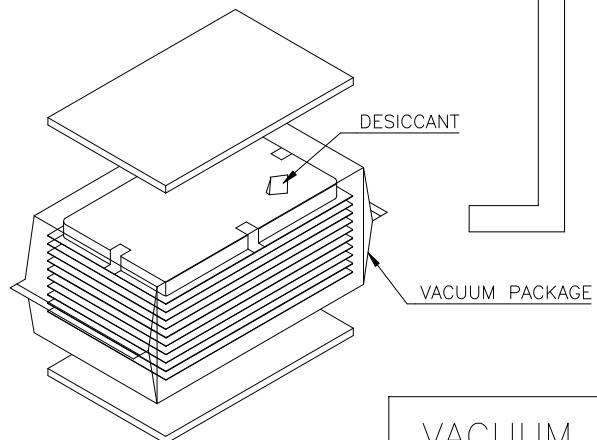
P	LTR	DESCRIPTION	DATE	DWN	APVD
-	-	SEE SHEET 1	-	-	-

NOTES :

- MATERIAL :
 TRAY: PVC, COLOR: TRANSPARENT.
 CARTON: CORRUGATED FIBER
 BOX: CORRUGATED FIBER
 TRANSPARENT BAG: PE, SIZE: 480mm*350mm*0.06mm
 600mm*590mm*0.06mm
- EACH BAG SHALL BE INCLUDED:
 * DESICCANT



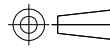
12.5 KG	10.5 KG	30	10	3	900	164
10.9 KG	8.9 KG	40	10	3	1200	98
8.5 KG	6.5 KG	70	10	3	2100	36
GROSS WEIGHT	NET WEIGHT	PCS/ TRAY	TRAY/ CARTON	CARTON/ BOX	PCS/ BOX	POS



VACUUM PACKAGE

THIS DRAWING IS A CONTROLLED DOCUMENT.

DIMENSIONS: mm



TOLERANCES UNLESS OTHERWISE SPECIFIED:

0 PLC	± -
1 PLC	± 0.3
2 PLC	± 0.20
3 PLC	± 0.15
4 PLC	± -
ANGLES	± 3'

MATERIAL

FINISH

DWN E. LIU 25FEB2011
 CHK S. CHIEN 25FEB2011
 APVD W. KODAMA 25FEB2011
 PRODUCT SPEC
 108-57854
 APPLICATION SPEC

NAME

PCI EXPRESS CARD EDGE CONNECTOR VERTICAL, STRADDLE MOUNT TYPE

SIZE

CAGE CODE

DRAWING NO

RESTRICTED TO

A3

00779

C=2041255

CUSTOMER DRAWING

SCALE 1:1

SHEET

6 OF 6

REV D1



TE Connectivity