

THIS DRAWING IS UNPUBLISHED. RELEASED FOR PUBLICATION AUG, 2006.

© COPYRIGHT - BY TYCO ELECTRONICS CORPORATION. ALL RIGHTS RESERVED.

LOC DW DIST

REVISIONS

P	LTR	DESCRIPTION	DATE	DWN	APVD
A		RELEASED	06JAN'11	E.L.	W.K.

NOTES:

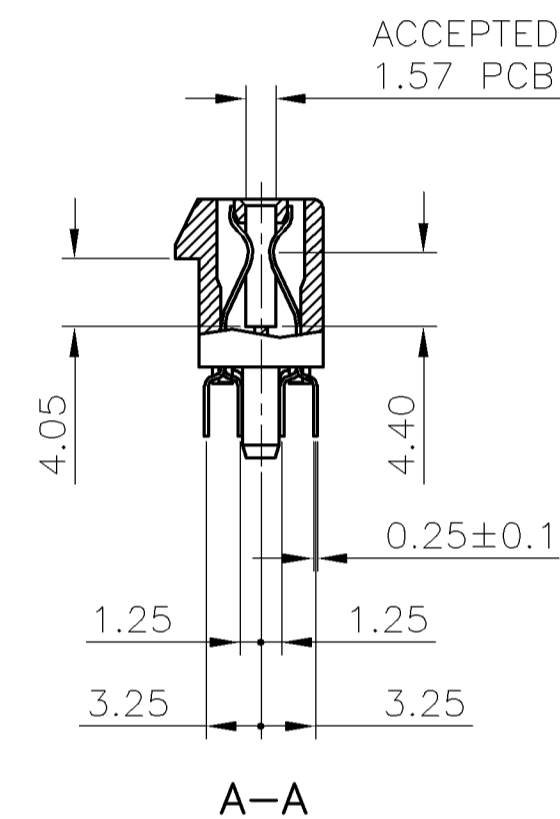
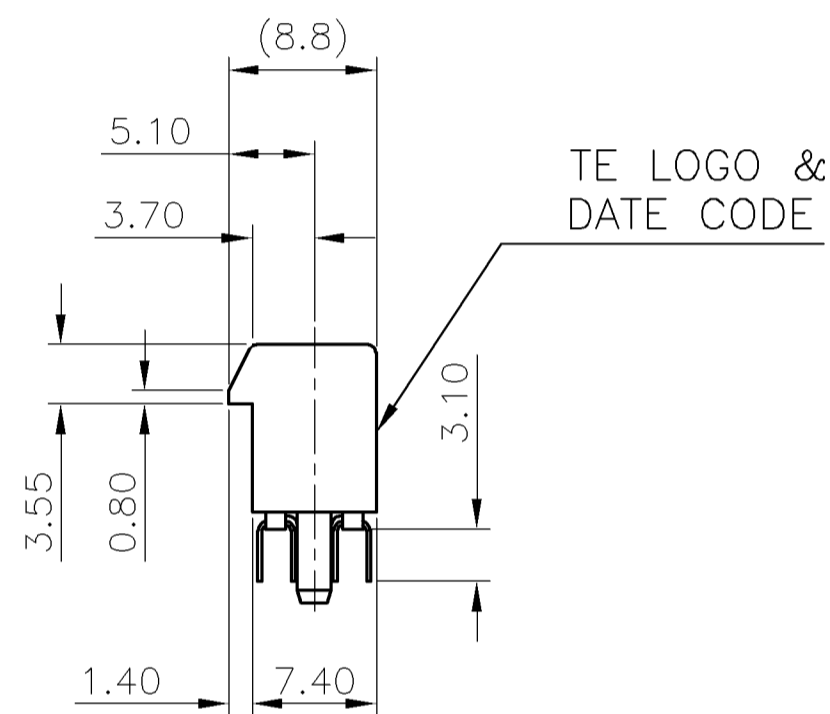
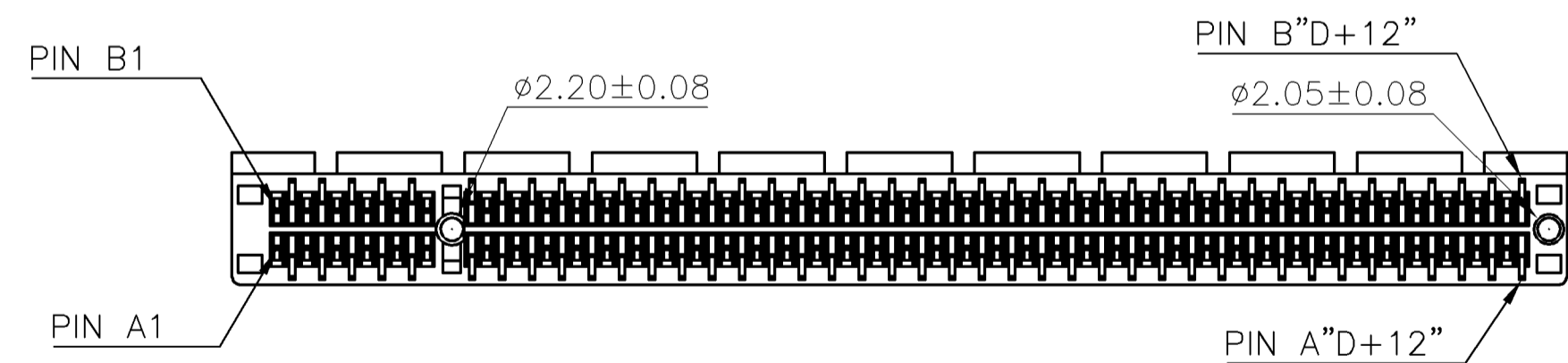
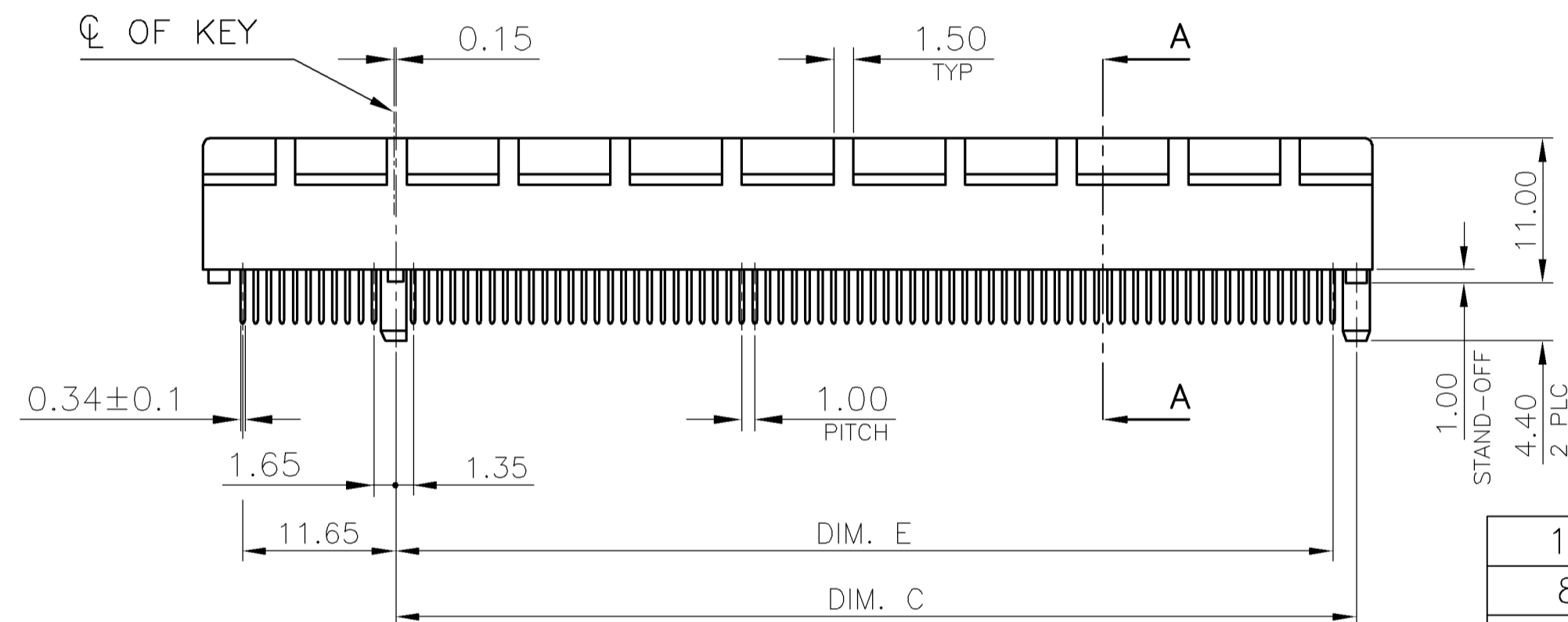
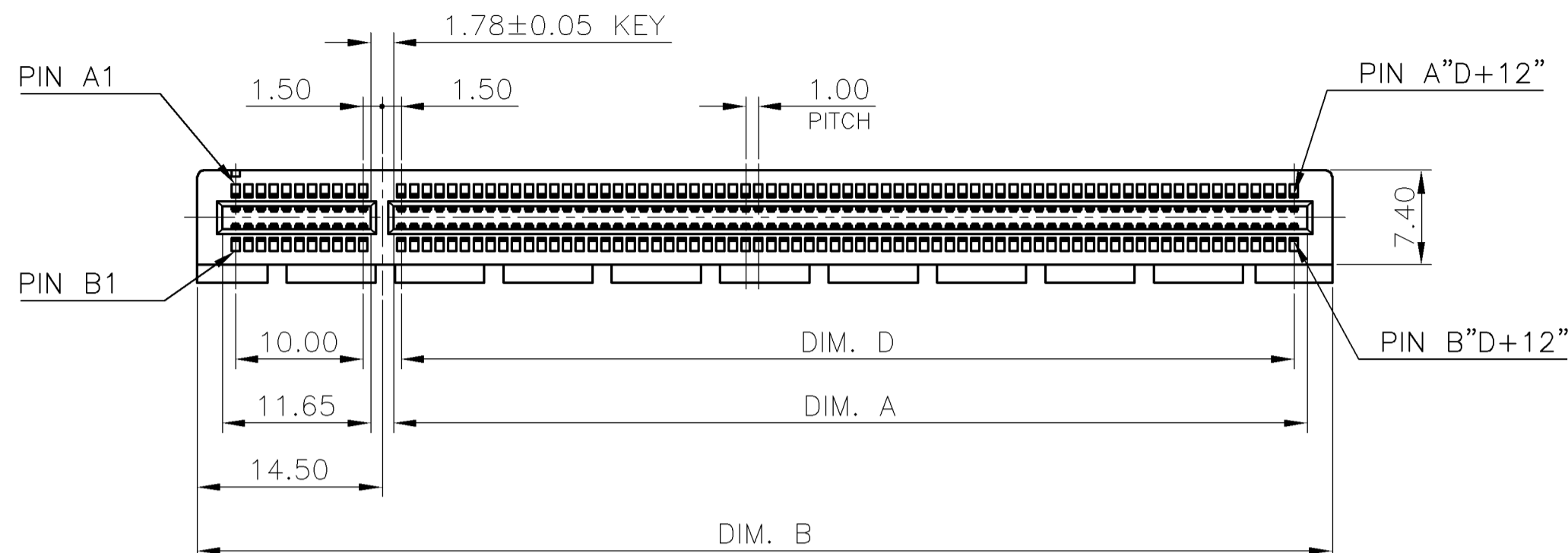
- MATERIAL:
 - HOUSING: PA46 WITH 40% G.F, UL94V-0; COLOR: BLACK
 - CONTACT: PHOSPHOR BRONZE
- FINISH:

CONTACT:

(SEE TABLE) GOLD PLATING ON CONTACT AREA.

2.54um [100u"] MIN. MATTE-TIN PLATING ON SOLDER TAIL AREA.

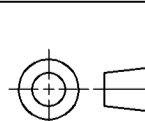
1.27um [50u"] MIN. NICKEL UNDERPLATING OVERALL.
- RECOMMENDED P.C.B THICKNESS : 2.36mm
- WAVE SOLDER CAPABLE TO 265°C
PER TE SPEC. 109-202, CONDITION B.



12.1	104.35	103	106.15	122	104.65	0.762um [30u"]	230	2041238-8
8.8	71.35	70	73.15	89	71.65		164	2041238-7
5.5	38.35	37	40.15	56	38.65		98	2041238-6
3.9	21.35	20	23.15	39	21.65	0.381um [15u"]	64	2041238-5
12.1	104.35	103	106.15	122	104.65		230	2041238-4
8.8	71.35	70	73.15	89	71.65		164	2041238-3
5.5	38.35	37	40.15	56	38.65	MIN. GOLD THICKNESS	98	2041238-2
3.9	21.35	20	23.15	39	21.65		64	2041238-1
WEIGHT(g)	DIM. E	DIM. D	DIM. C	DIM. B	DIM. A		POS.	PART NUMBER

THIS DRAWING IS A CONTROLLED DOCUMENT.

DIMENSIONS: MM



MATERIAL SEE NOTE

TOLERANCES UNLESS OTHERWISE SPECIFIED:

0 PLC	± -
1 PLC	± 0.3
2 PLC	± 0.2
3 PLC	± 0.15
4 PLC	± -
ANGLES	± 3'
FINISH	SEE NOTE

DWN E. LIU 06JAN2011
 CHK S. CHIEN 06JAN2011
 APVD W. KODAMA 06JAN2011
 PRODUCT SPEC
 108-57859
 APPLICATION SPEC
 WEIGHT SEE TABLE
 CUSTOMER DRAWING

Tyco Electronics Tyco Electronics Corporation
 Taipei, Taiwan

NAME
PCI EXPRESS CARD EDGE CONNECTOR VERTICAL, DIP TYPE

SIZE	CAGE CODE	DRAWING NO	RESTRICTED TO
A3	00779	C=2041238	-

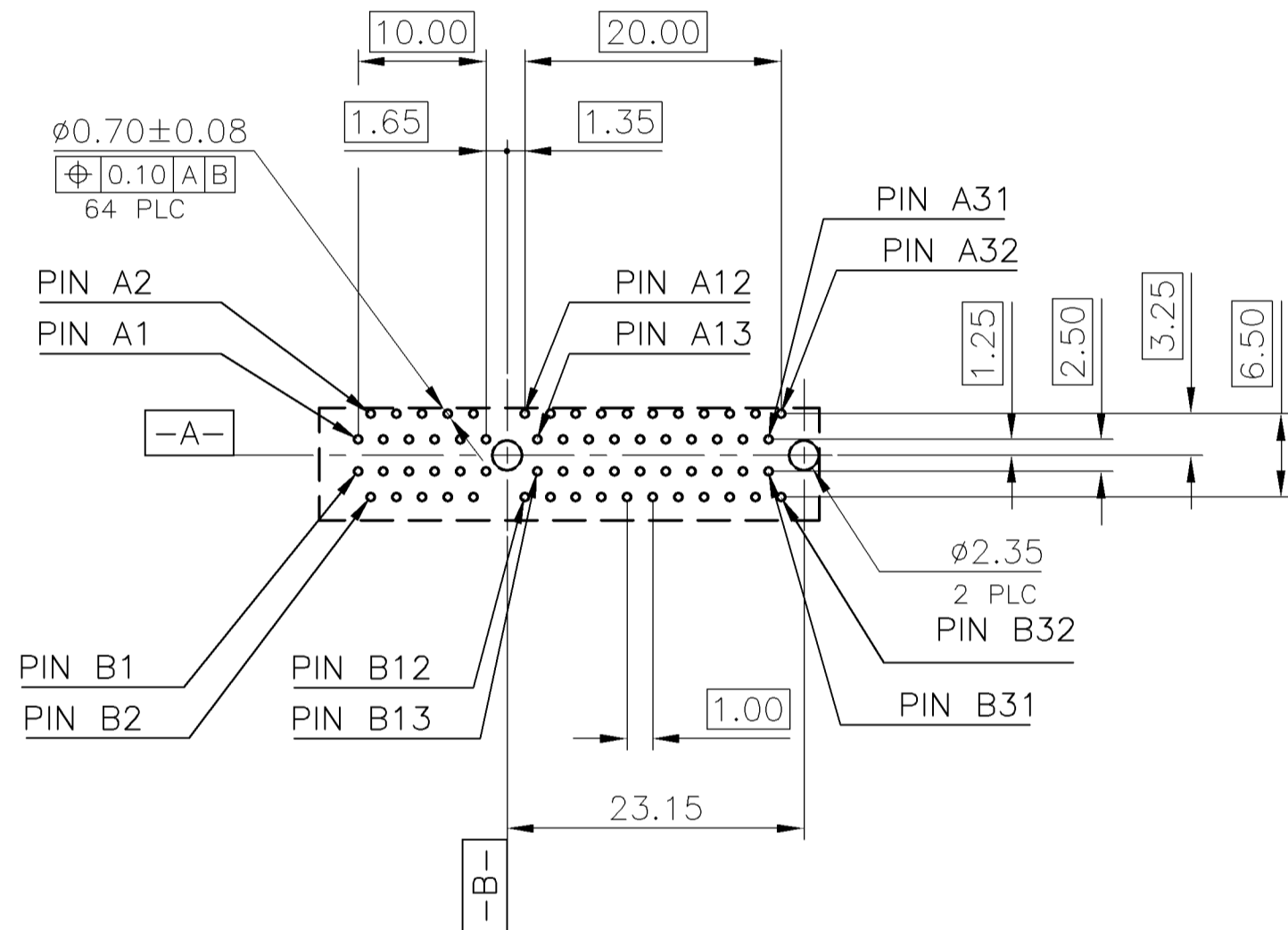
SCALE - SHEET 1 OF 6 REV A

LOC DW	DIST /	REVISIONS		
P	LTR	DESCRIPTION	DATE	DWN APVD
		SEE SHEET 1.		

64P

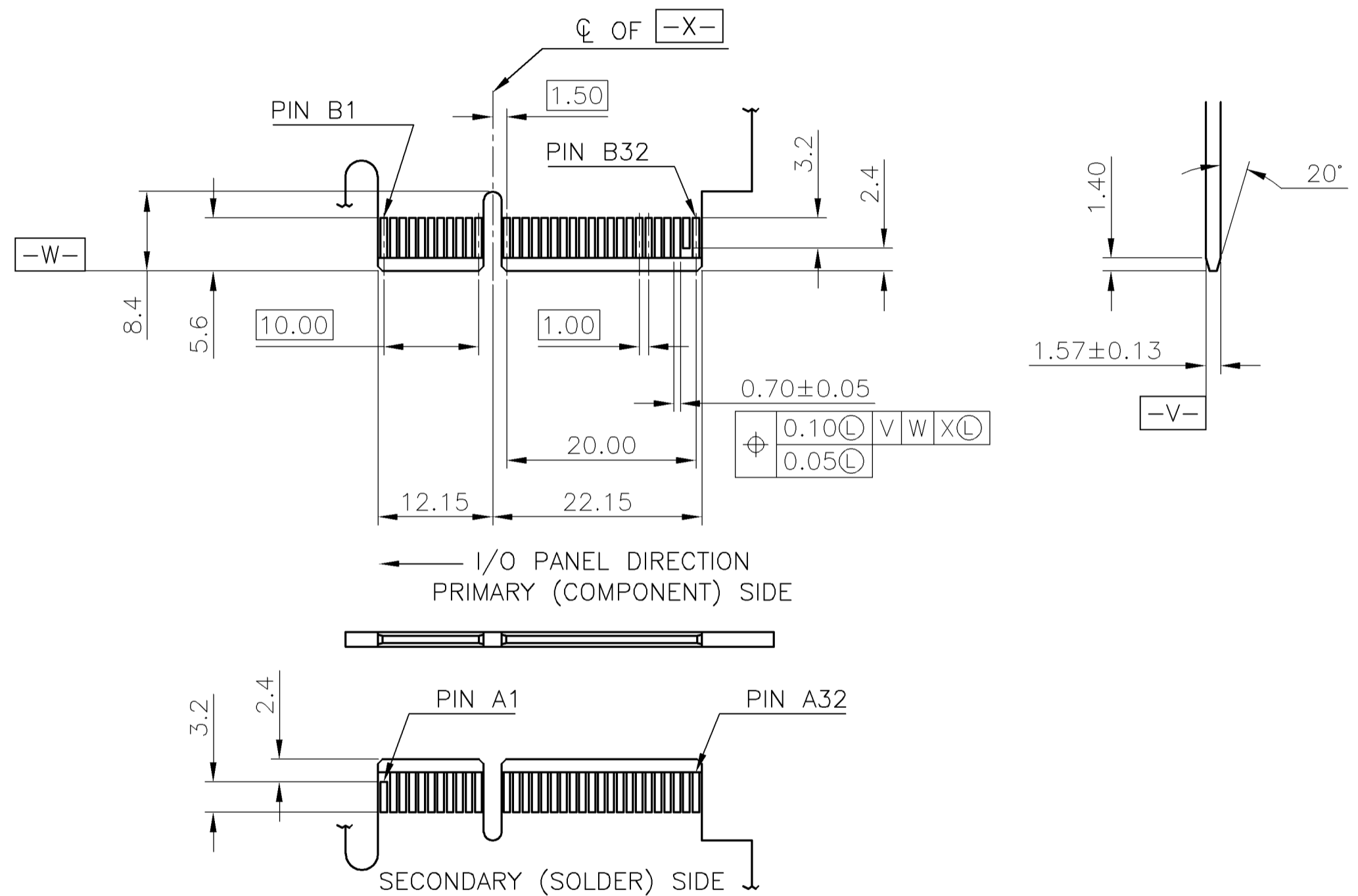
ADD-IN CARD EDGE-FINGER DIMENSIONS

NOTES:
CHAMFER EDGE MUST BE FREE OF CUTTING BURRS

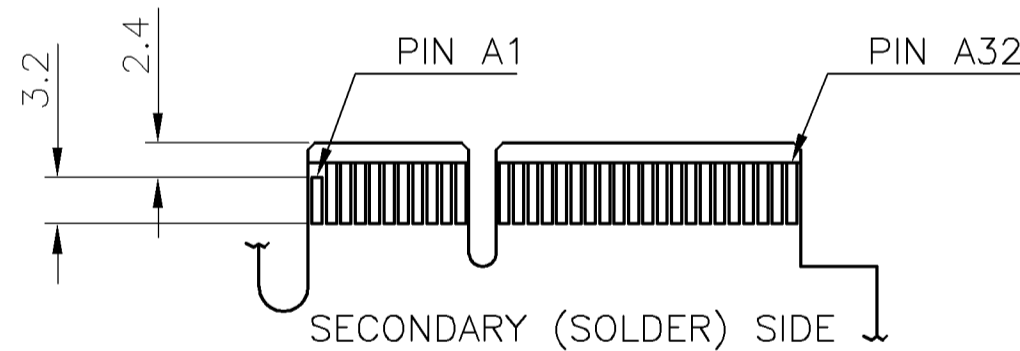


RECOMMENDED PCB LAYOUT

TOLERANCE: ±0.05
(APPLY TO P.C.B THICKNESS: 2.36mm)



I/O PANEL DIRECTION
PRIMARY (COMPONENT) SIDE

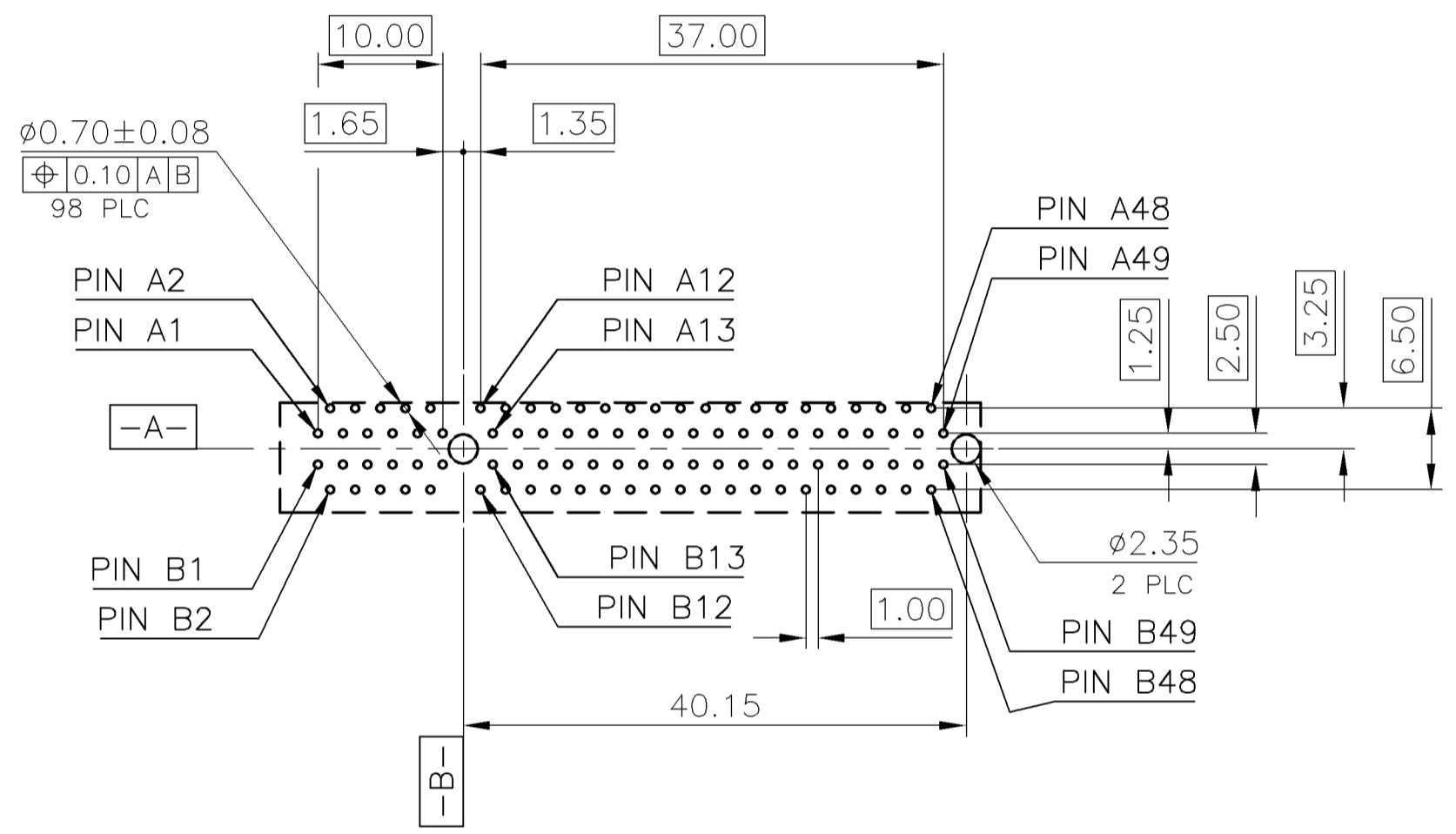


THIS DRAWING IS A CONTROLLED DOCUMENT.		DWN	Tyco Electronics Corporation Taipei, Taiwan		
DIMENSIONS: MM		CHK	NAME		
TOLERANCES UNLESS OTHERWISE SPECIFIED:		APVD	PCI EXPRESS CARD EDGE CONNECTOR VERTICAL, DIP TYPE		
0 PLC ± -		PRODUCT SPEC	SIZE	CAGE CODE	DRAWING NO
1 PLC ± -		APPLICATION SPEC	A3	00779	C=2041238
2 PLC ± -		WEIGHT	RESTRICTED TO		
3 PLC ± -		CUSTOMER DRAWING	SCALE	SHEET	REV
4 PLC ± -			-	2 OF 6	A
ANGLES ± -					
FINISH					

THIS DRAWING IS UNPUBLISHED. RELEASED FOR PUBLICATION AUG ,2006.
 © COPYRIGHT BY TYCO ELECTRONICS CORPORATION. ALL RIGHTS RESERVED.

LOC	DIST	REVISIONS			
P	LTR	DESCRIPTION	DATE	DWN	APVD
		SEE SHEET 1.			

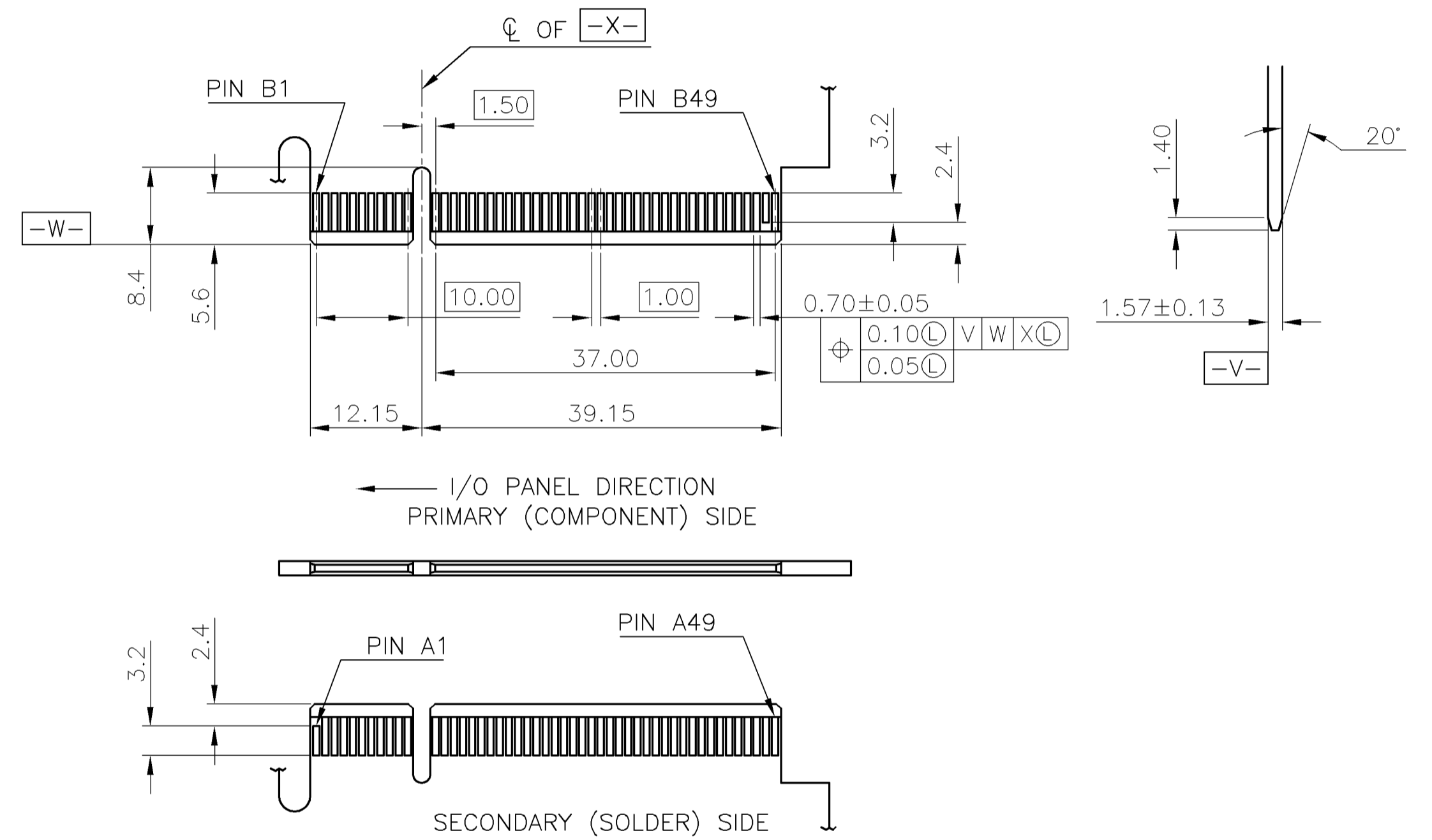
98P



RECOMMENDED PCB LAYOUT
 TOLERANCE: ± 0.05
 (APPLY TO P.C.B THICKNESS: 2.36mm)

ADD-IN CARD EDGE-FINGER DIMENSIONS

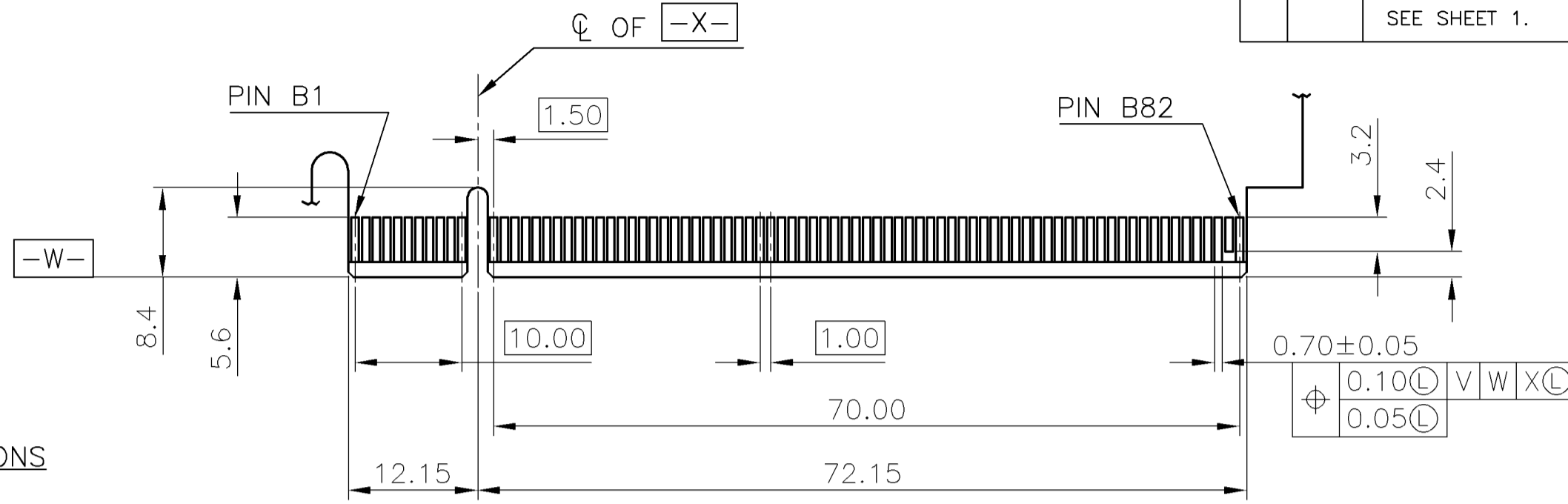
NOTES:
 CHAMFER EDGE MUST BE FREE OF CUTTING BURRS



THIS DRAWING IS A CONTROLLED DOCUMENT.		DWN	Tyco Electronics Corporation	
DIMENSIONS: MM		CHK	Taipei, Taiwan	
TOLERANCES UNLESS OTHERWISE SPECIFIED:		APVD	NAME	
0 PLC \pm		PRODUCT SPEC	PCI EXPRESS CARD EDGE CONNECTOR VERTICAL, DIP TYPE	
1 PLC \pm		APPLICATION SPEC	SIZE	RESTRICTED TO
2 PLC \pm		WEIGHT	A3	
3 PLC \pm		CUSTOMER DRAWING	CAGE CODE	
4 PLC \pm		SCALE	00779	
ANGLES \pm		SHEET	DRAWING NO	
FINISH		3 OF 6	G=2041238	
		REV		A

P	LTR	DESCRIPTION	DATE	DWN	APVD
		SEE SHEET 1.			

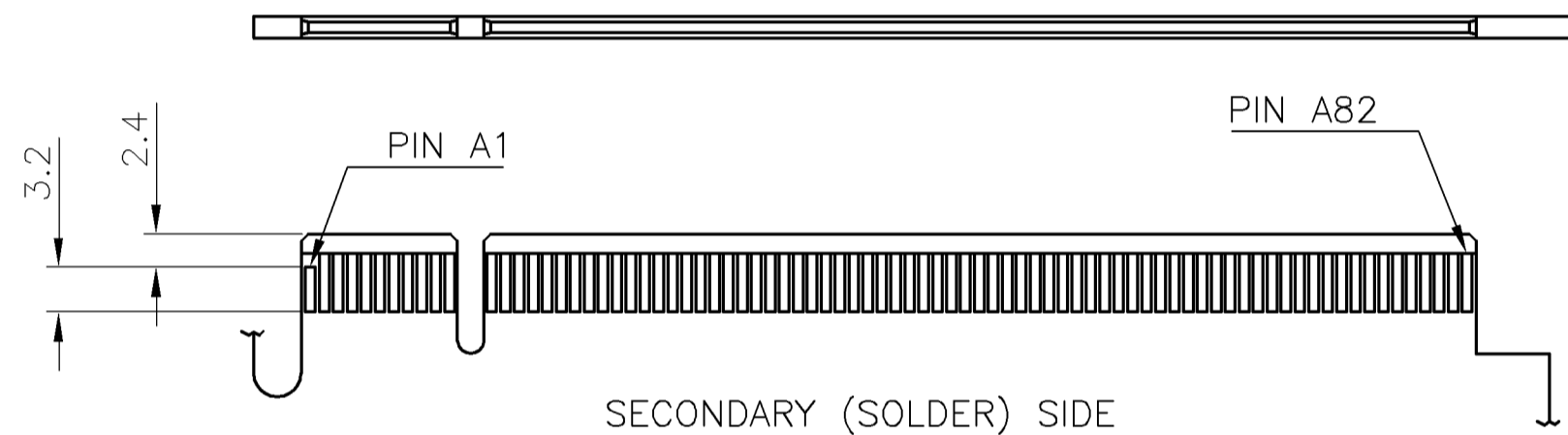
164P



ADD-IN CARD EDGE-FINGER DIMENSIONS

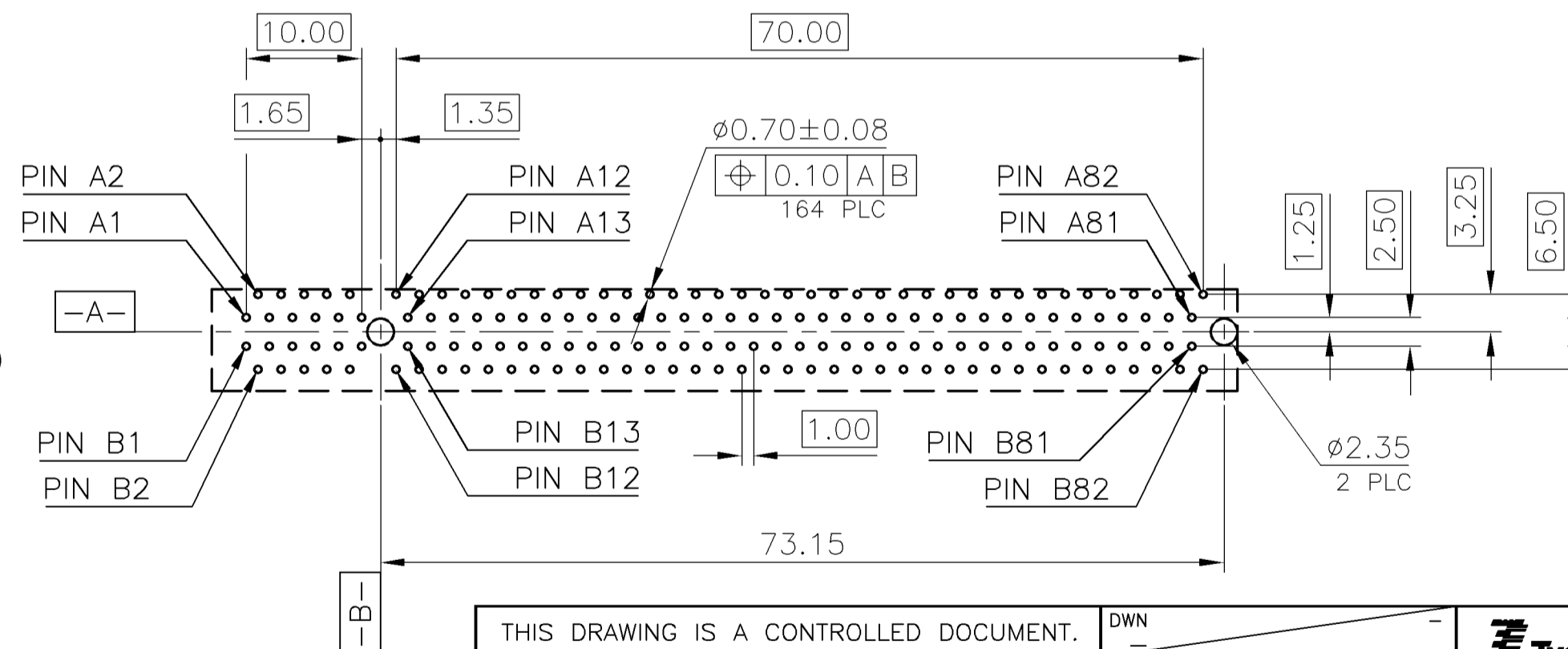
NOTES:
CHAMFER EDGE MUST BE FREE OF CUTTING BURRS

I/O PANEL DIRECTION
PRIMARY (COMPONENT) SIDE



RECOMMENDED PCB LAYOUT

TOLERANCE: ±0.05
(APPLY TO P.C.B THICKNESS: 2.36mm)



THIS DRAWING IS A CONTROLLED DOCUMENT.		DWN	Tyco Electronics		Tyco Electronics Corporation	
DIMENSIONS: MM		CHK	NAME		Taipei, Taiwan	
TOLERANCES UNLESS OTHERWISE SPECIFIED:		APVD	PCI EXPRESS CARD EDGE CONNECTOR VERTICAL, DIP TYPE			
MATERIAL		PRODUCT SPEC	SIZE	CAGE CODE	DRAWING NO	RESTRICTED TO
FINISH		APPLICATION SPEC	A3	00779	C=2041238	
ANGLES		WEIGHT	CUSTOMER DRAWING		SCALE	SHEET 4 OF 6
FINISH						REV A

THIS DRAWING IS UNPUBLISHED.

RELEASED FOR PUBLICATION AUG ,2006.

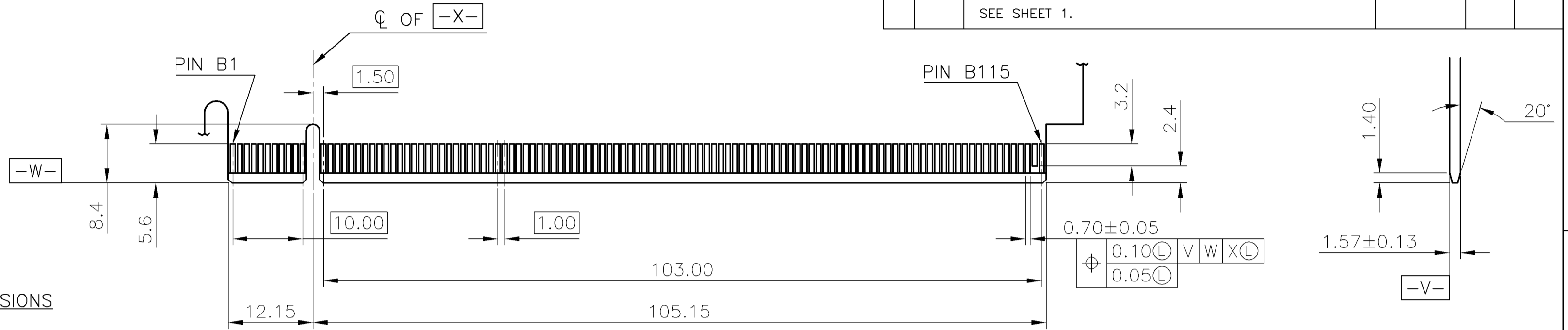
© COPYRIGHT BY TYCO ELECTRONICS CORPORATION. ALL RIGHTS RESERVED.

LOC DW DIST

REVISIONS

P	LTR	DESCRIPTION	DATE	DWN	APVD
		SEE SHEET 1.			

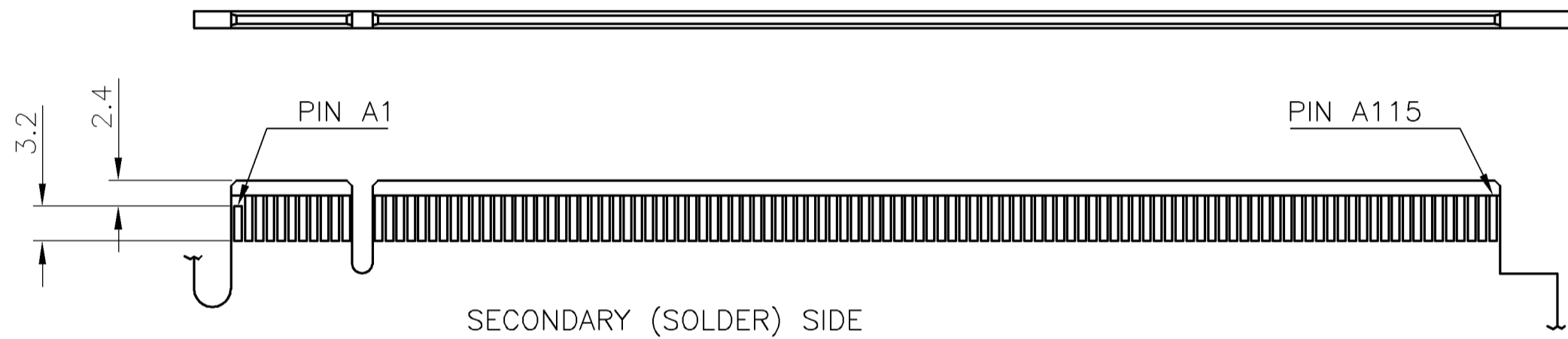
230P



ADD-IN CARD EDGE-FINGER DIMENSIONS

NOTES:
CHAMFER EDGE MUST BE FREE OF CUTTING BURRS

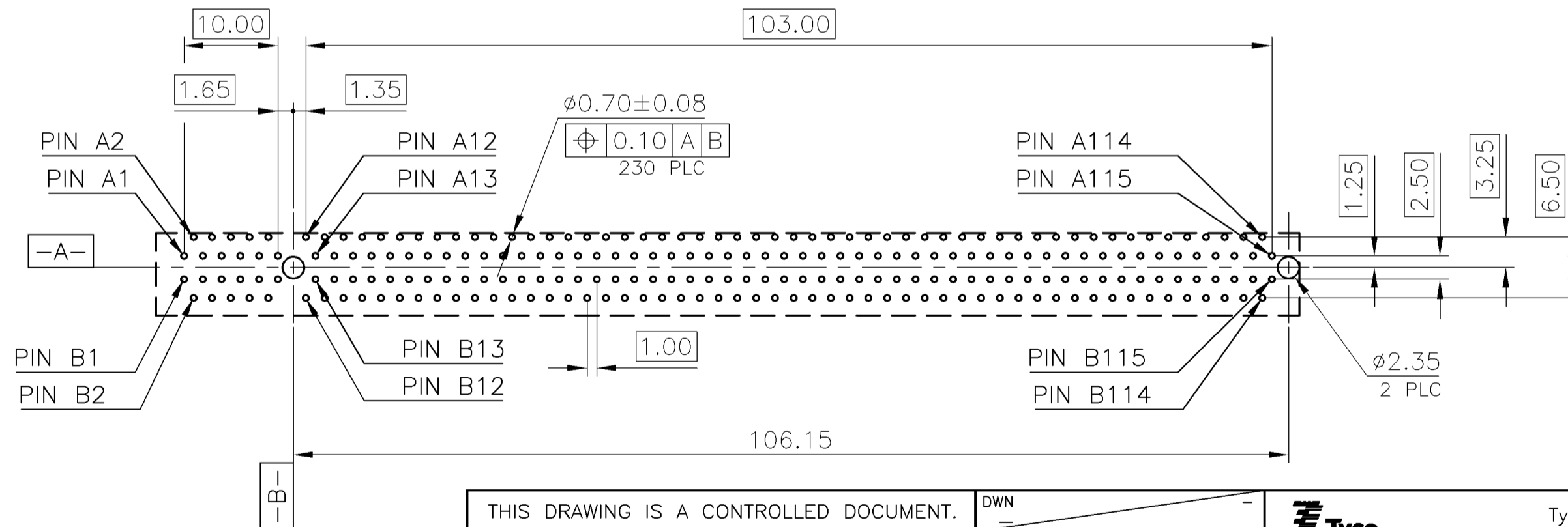
I/O PANEL DIRECTION
PRIMARY (COMPONENT) SIDE



SECONDARY (SOLDER) SIDE

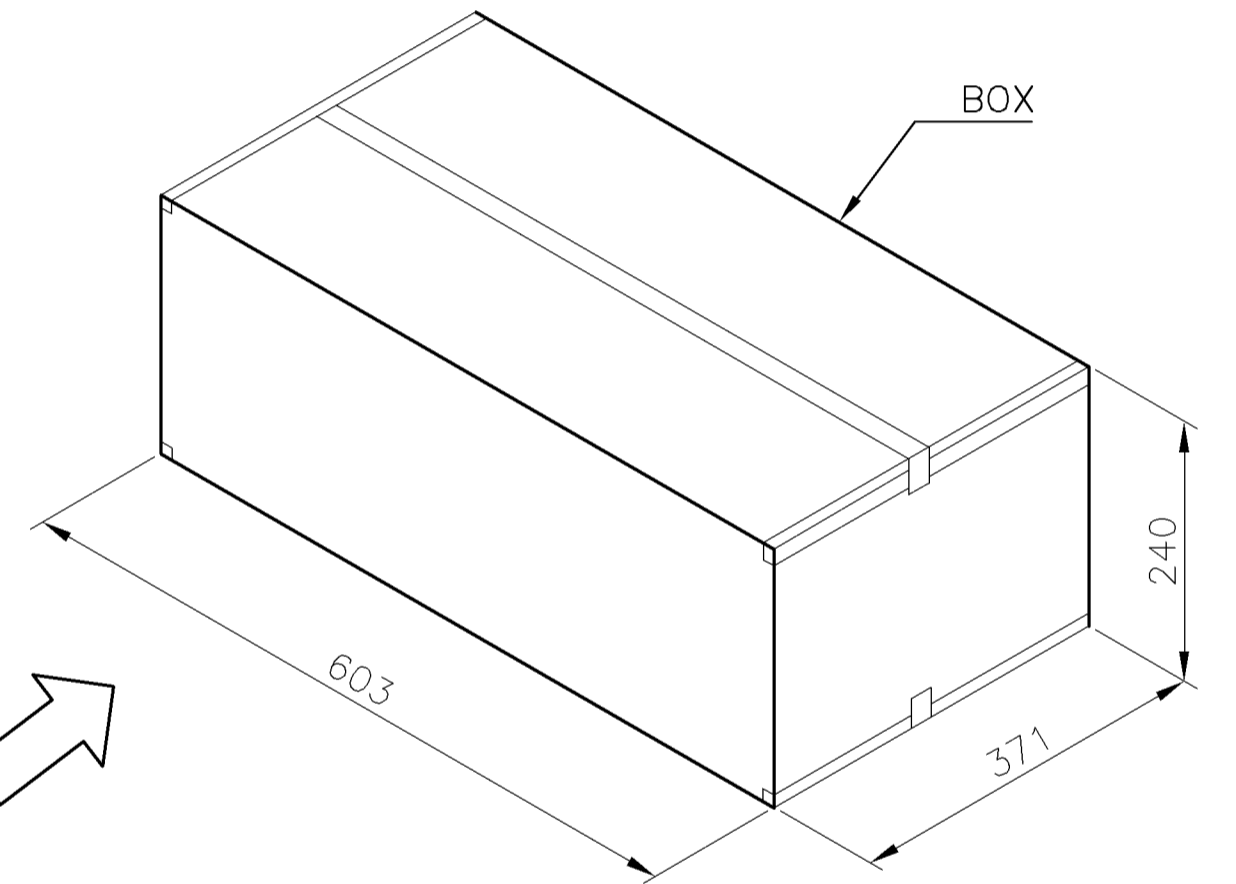
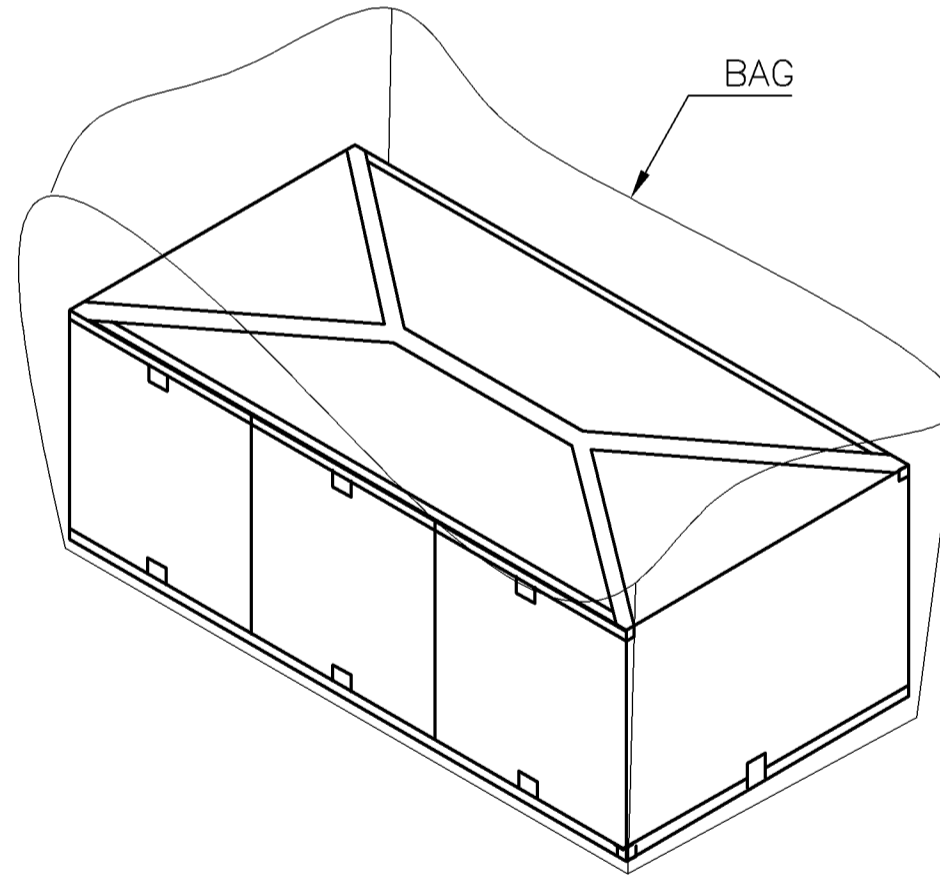
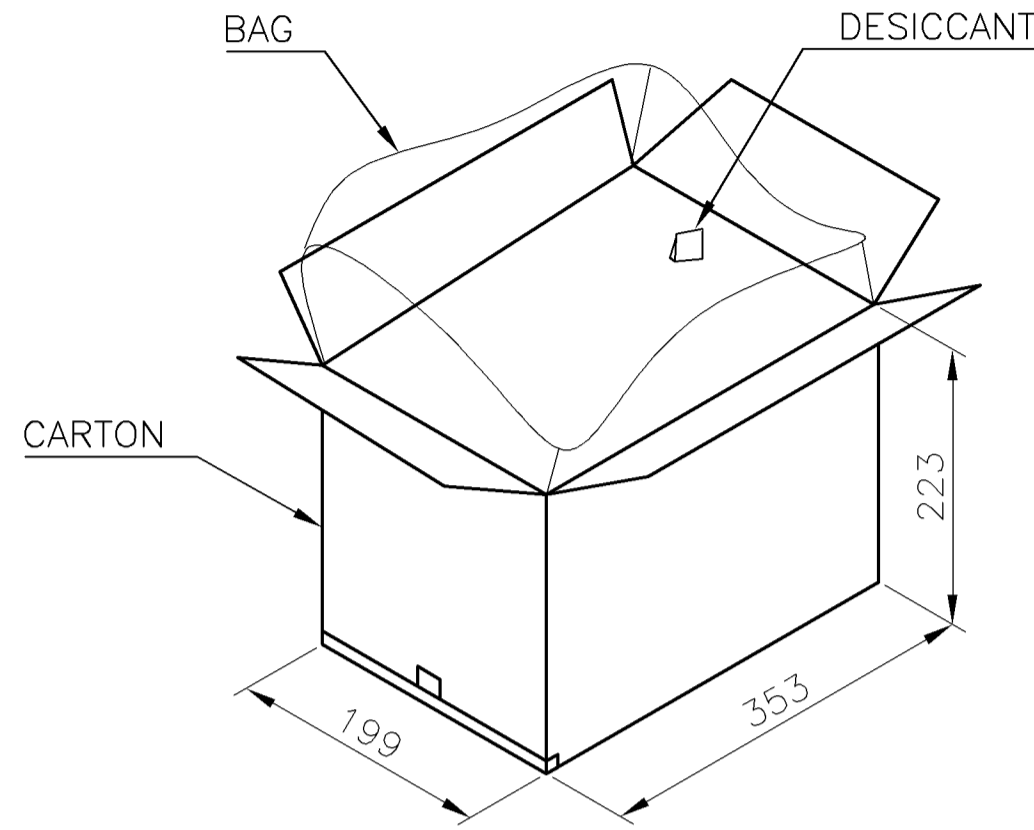
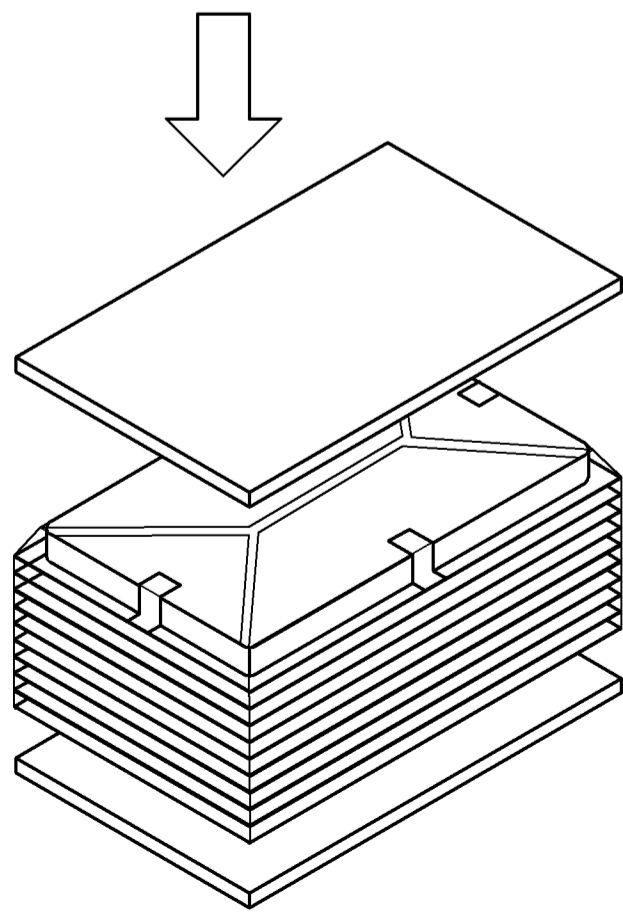
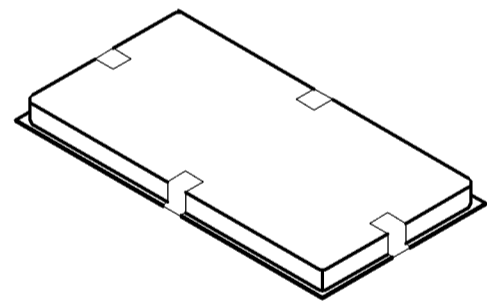
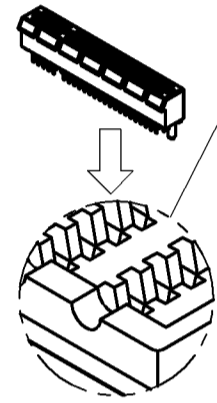
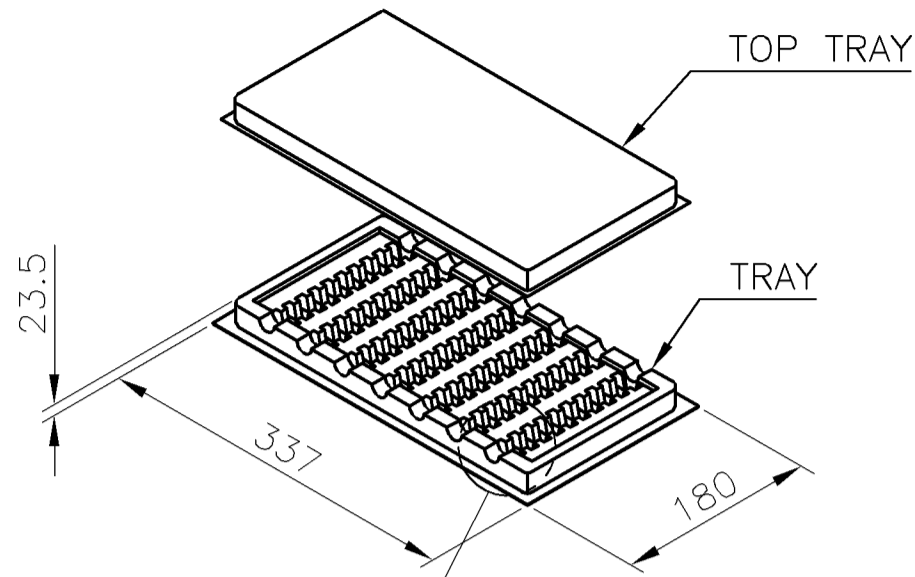
RECOMMENDED PCB LAYOUT

TOLERANCE: ±0.05
(APPLY TO P.C.B THICKNESS: 2.36mm)



THIS DRAWING IS A CONTROLLED DOCUMENT.		DWN	Tyco Electronics		Tyco Electronics Corporation	
DIMENSIONS: MM		CHK	NAME		Taipei, Taiwan	
TOLERANCES UNLESS OTHERWISE SPECIFIED:		APVD	PCI EXPRESS CARD EDGE CONNECTOR VERTICAL, DIP TYPE			
0 PLC ± -		PRODUCT SPEC	SIZE	CAGE CODE	DRAWING NO	RESTRICTED TO
1 PLC ± -		APPLICATION SPEC	A3	00779	C=2041238	
2 PLC ± -		WEIGHT	CUSTOMER DRAWING		SCALE	SHEET
3 PLC ± -					5 OF 6	REV A
4 PLC ± -						
ANGLES ± -						
FINISH						
MATERIAL						

P	LTR	DESCRIPTION	DATE	DWN	APVD
		SEE SHEET 1.			



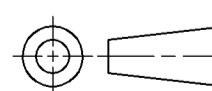
NOTES :

- MATERIAL :
TRAY : PVC, COLOR: TRANSPARENT.
CARTON: CORRUGATED FIBER
BOX: CORRUGATED FIBER
- DIMENSION :
TRAY: SEE DRAWING
CARTON: SEE DRAWING
BOX : SEE DRAWING
- QUANTITY : SEE TABLE
- WEIGHT : SEE TABLE

14.3 Kg	7.5 Kg	20	200	600	230
10.2 Kg	8.2 Kg	30	300	900	164
9.0 Kg	7.0 Kg	40	400	1200	98
8.5 Kg	6.5 Kg	60	600	1800	64
GROSS WEIGHT	NET WEIGHT	PCS/ TRAY	PCS/ INNER BOX	PCS/BOX	POS.

THIS DRAWING IS A CONTROLLED DOCUMENT.

DIMENSIONS:
MM



TOLERANCES UNLESS OTHERWISE SPECIFIED:

0 PLC	± -
1 PLC	± -
2 PLC	± -
3 PLC	± -
4 PLC	± -
ANGLES	± -
FINISH	± -

MATERIAL

DWN

CHK

APVD

PRODUCT SPEC

APPLICATION SPEC

WEIGHT

CUSTOMER DRAWING



Tyco Electronics Corporation
Taipei, Taiwan

NAME

PCI EXPRESS CARD EDGE CONNECTOR
VERTICAL, DIP TYPE

SIZE

CAGE CODE

DRAWING NO

RESTRICTED TO

A3 00779 C=2041238

SCALE

SHEET

6 OF 6

REV

A