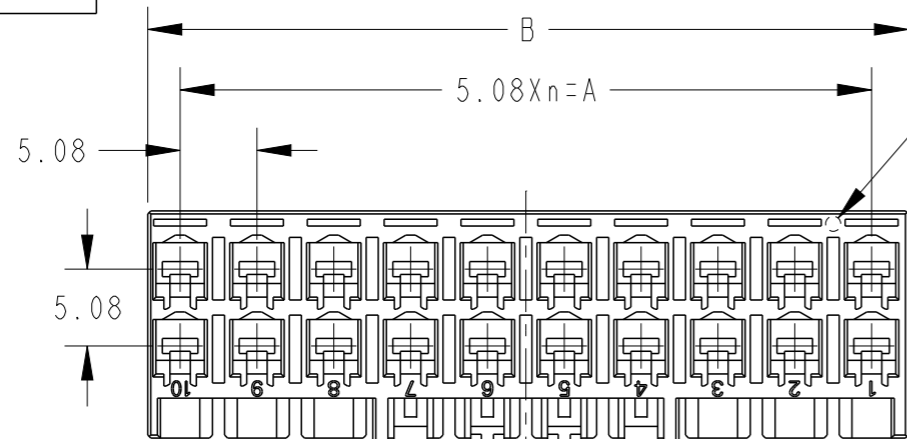


P	LTR	DESCRIPTION	DATE	DWN	APVD
	A	RELEASED	23JAN2020	H.O	E.I

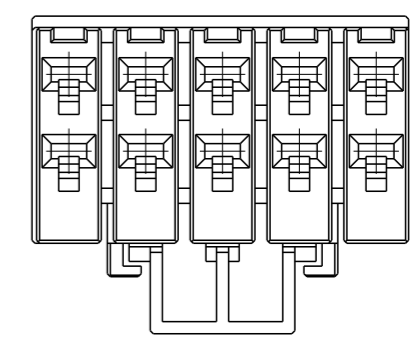
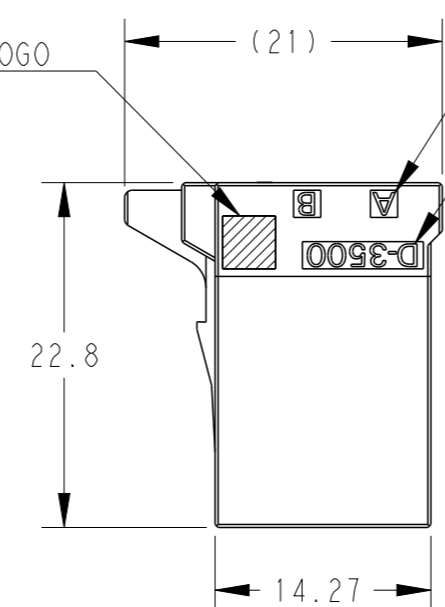


CAVITY MARK  
(ALPHABET: CAPITAL LETTER)

COMPANY LOGO

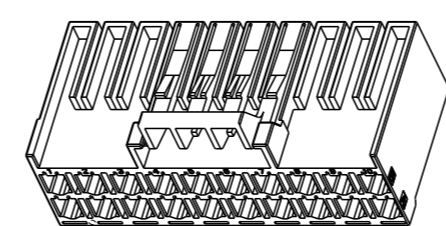
ROW ID (BOTH SIDE)

SERIES CODE

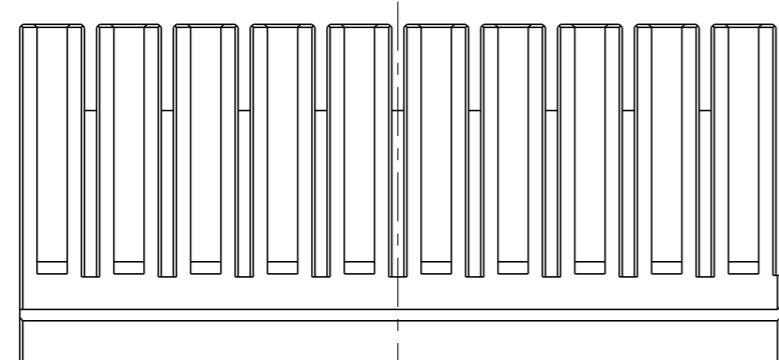
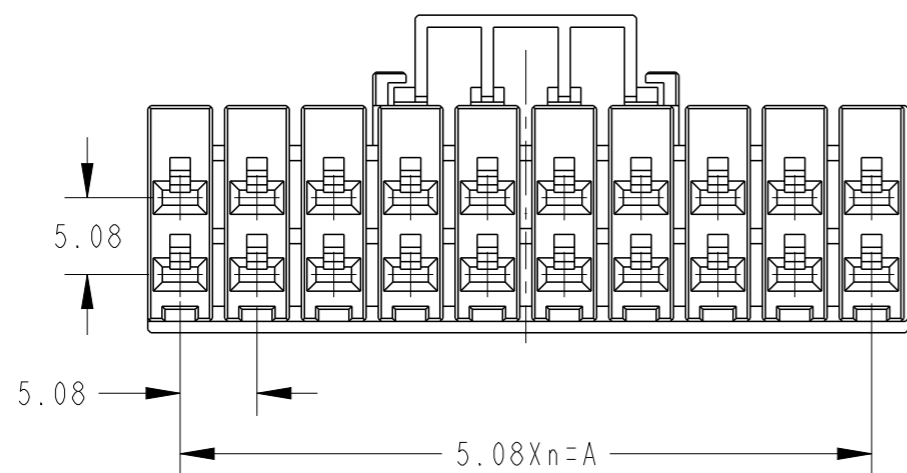
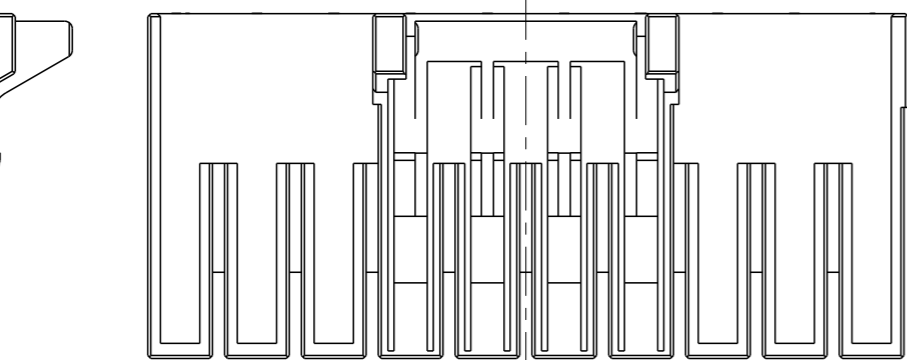
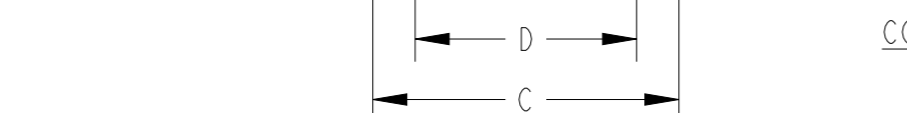


2040873-2 (10 POS)

- 1. MATERIAL: GLASS FIELD THERMO PLASTIC POLYESTER. COLOR: BLACK
- 2. THE SHAPE, SIZE AND POSITION OF THE CHARACTER SHOW THE OUTLINE. THEY DO NOT SHOW DETAILS.



SCALE 1:1



AS SHOWN: 2040873-1 (20 POS)

20	9	45.72	50.30	20.24	14.64	11.1	2040873-1
10	4	20.32	24.90	15.24	9.56	5.7	2040873-2
POS	n	A	B	C	D	WEIGHT(g)	PART NO

THIS DRAWING IS A CONTROLLED DOCUMENT.

DIMENSIONS:		TOLERANCES UNLESS OTHERWISE SPECIFIED:	
mm			
	0 PLC	±	±0.3
	1 PLC	±	
	2 PLC	±	
	3 PLC	±	
	4 PLC	±	±5°
	ANGLES		±5°
MATERIAL		FINISH	
1		-	-

DWN	H. OSABE	23JAN2020
CHK	T. SHIMOYASU	23JAN2020
APVD	E. IKEMATSU	23JAN2020
PRODUCT SPEC	108-5349	
APPLICATION SPEC	-	
WEIGHT	-	
CUSTOMER DRAWING		

**TE** TE Connectivity

NAME: DYNAMIC D3500 5.08mm PITCH  
REC HSG RIB  
10-20POS

SIZE	CAGE CODE	DRAWING NO	RESTRICTED TO
A3	00779	C-2040873	

SCALE 2:1 SHEET 1 OF 1 REV A