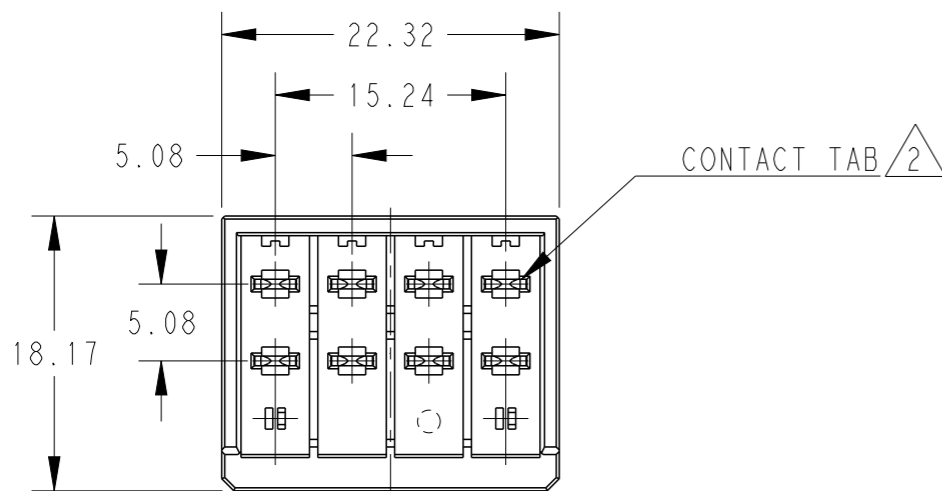
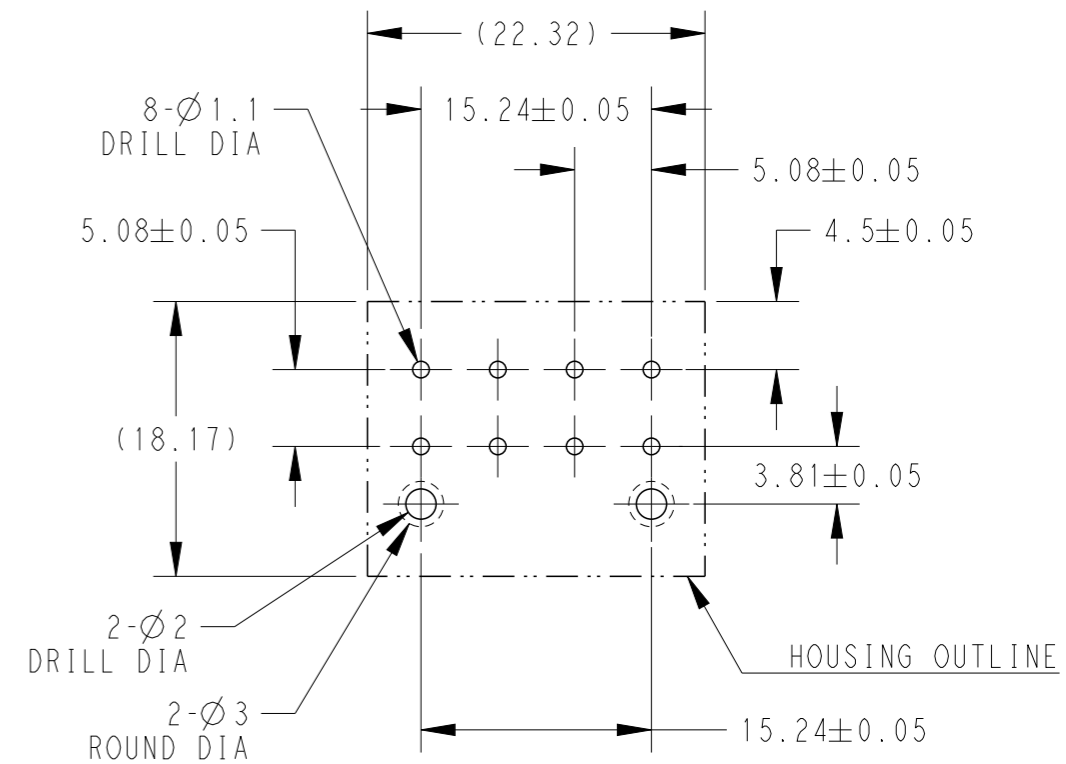
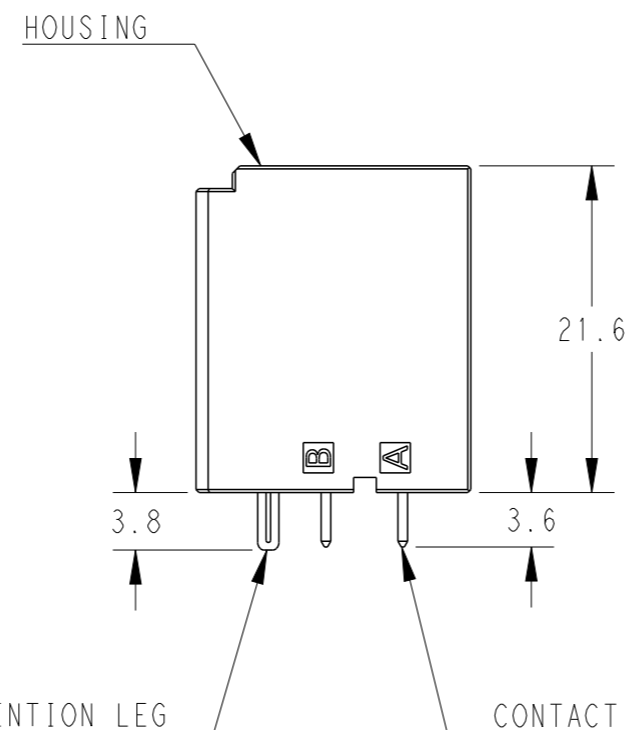
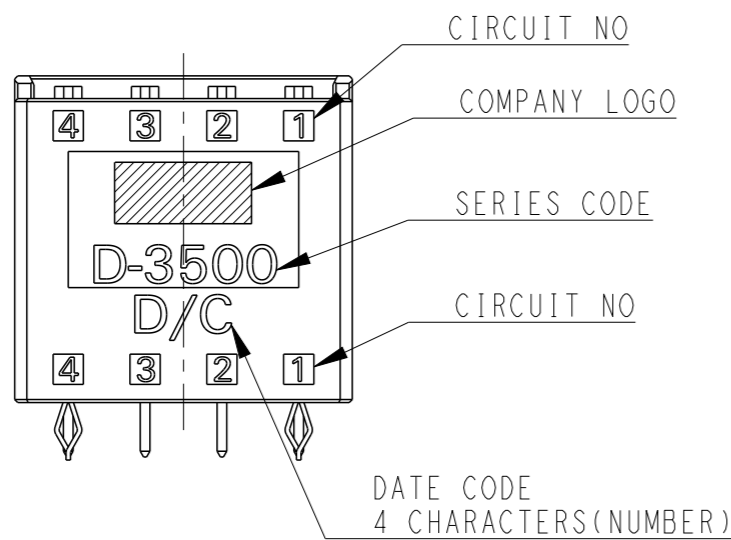


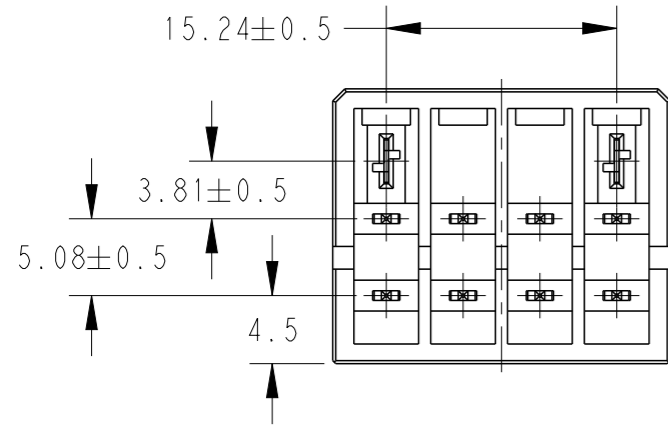
P	LTR	DESCRIPTION	DATE	DWN	APVD
	A	RELEASED	23JAN2020	H.O	E.I



-2; AS SHOWN



RECOMMEND PC BOARD HOLE PATTERN :
CONNECTOR MOUNT SIDE (NOT ACCUMULATE TOLERANCE)
PC BOARD THICKNESS : 1.6±0.1



1. MATERIAL : HOUSING: GLASS FILLED THERMO PLASTIC POLYESTER
UL94V-0, COLOR : BLACK
CONTACT: COPPER ALLOY
RETENTION LEG: COPPER ALLOY

2. FINISH (CONTACT AREA)
: 0.38µm MIN Au PLATED OVER NICKEL

3. FINISH (RETENTION LEG & CONTACT TAIL)
: TIN PLATED OVER NICKEL
4. THE SHAPE, SIZE AND POSITION OF THE CHARACTER
SHOW THE OUTLINE. THEY DON'T SHOW DETAILS.

THIS DRAWING IS A CONTROLLED DOCUMENT.		DWN H. OSABE 23JAN2020	TE Connectivity	
DIMENSIONS: mm		CHK T. SHIMOYASU 23JAN2020		
TOLERANCES UNLESS OTHERWISE SPECIFIED: ±0.3		APVD E. IKEMATSU 23JAN2020	NAME DYNAMIC D3500D 5.08mm PITCH HDR ASSY RIB(V-TYPE) 8POS	
0 PLC ± 1 PLC ± 2 PLC ± 3 PLC ± 4 PLC ± ANGLES ±5°		PRODUCT SPEC 108-5349	SIZE A3	CAGE CODE 00779
MATERIAL 1		APPLICATION SPEC -	DRAWING NO C-2040733	RESTRICTED TO
		WEIGHT 6.43g	SCALE 2:1	SHEET 1 OF 1
		CUSTOMER DRAWING	REV A	