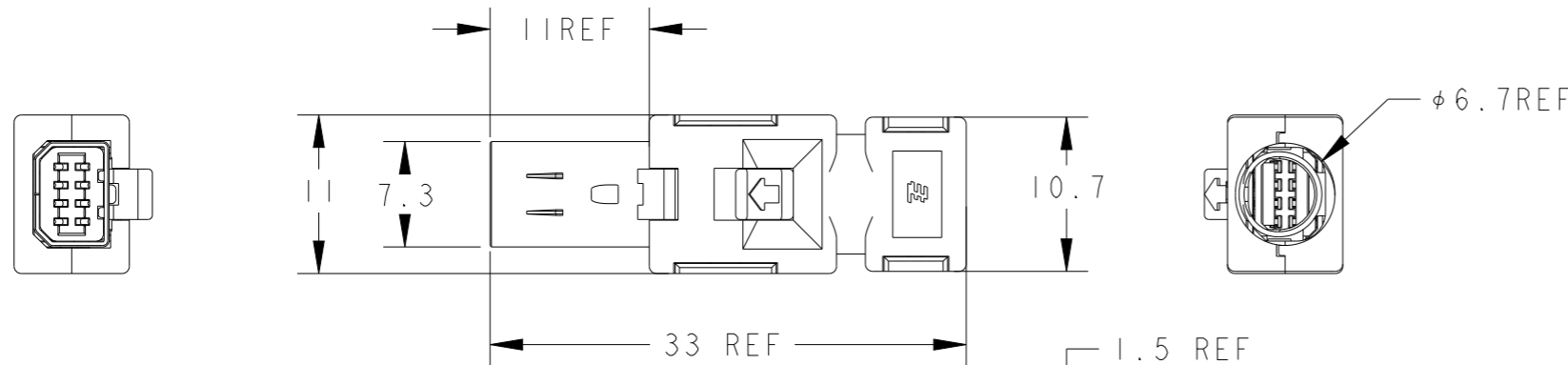
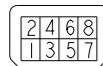


P	LTR	DESCRIPTION	DATE	DWN	APVD
D2		NOTE 4 ADDED (PROP 65 WARNING)	25AUG2020	SS	JDB
D3		ADDED NEW PART VARIANT 3-2040008-1	19OCT2020	SS	JDB
E		ECR-22-147692 CANCEL PRINT INK ON EJECTOR	08FEB2023	BP	JDB
F1		ECR-23-170132 REMOVE INSTRUCTION SHEET IN TRAY	21JUL2023	BP	JDB

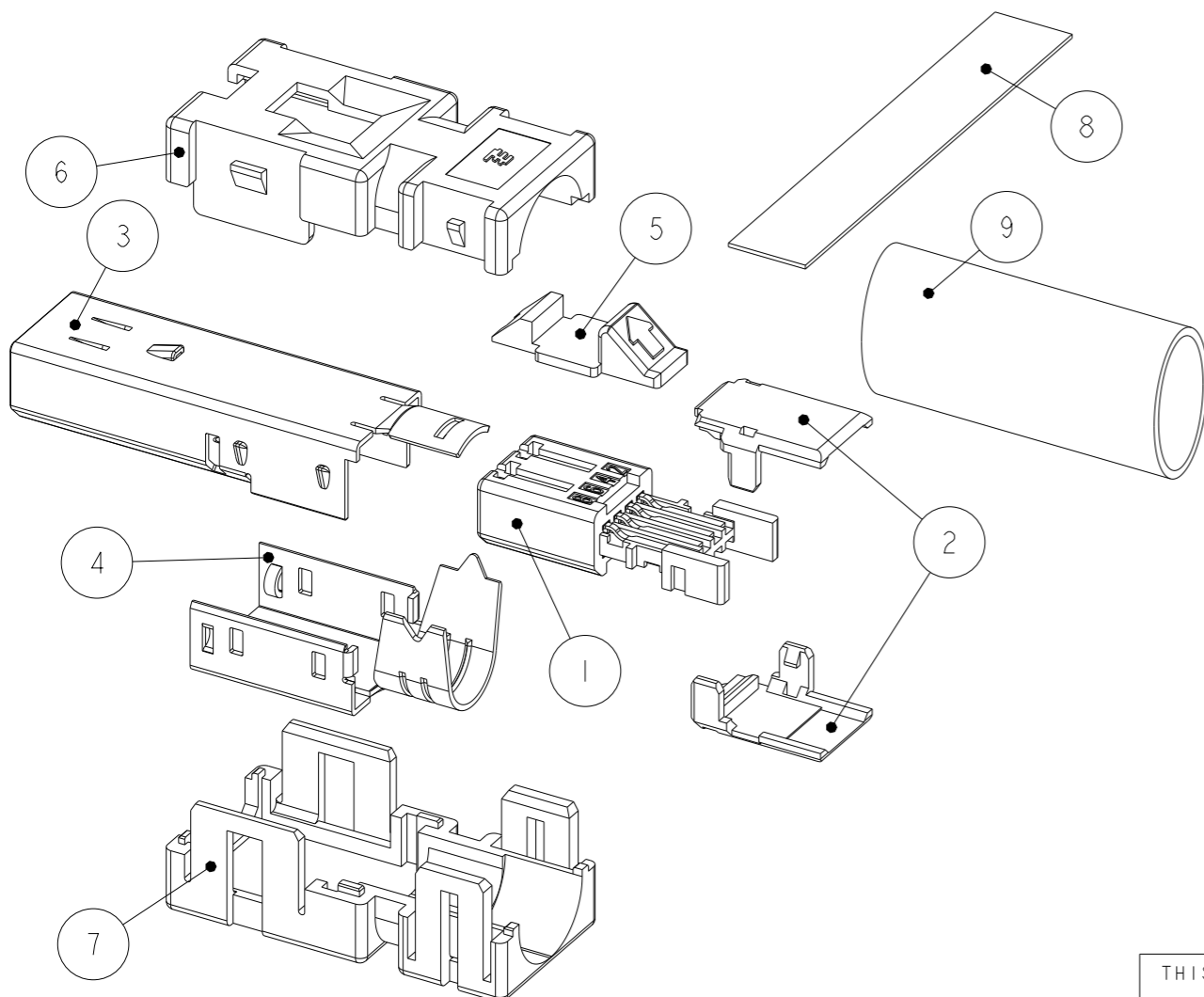
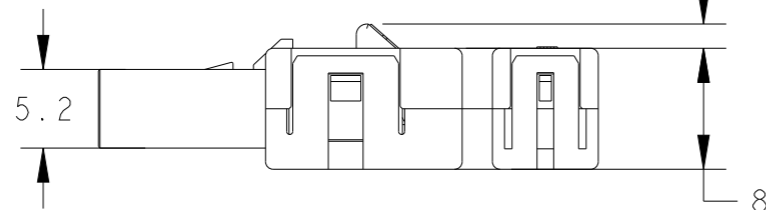


D-SHAPE TYPE 2



CIRCUIT NO.

VIEW



4	4	4	4	REQ'D/ASSY	MATERIAL / FINISH	PART NAME	COLOR	ITEM NO.
1	1	1	1		CROSS-LINKED POLYOLEFIN	HEAT SHRINKABLE TUBE		9
1	1	1	1		ELECTROLYSIS COPPER FOIL, ACRYLIC ADHESIVE MATERIAL	COPPER FOIL TAPE		8
-	1	-	-		POLYESTER OF GLASS FILLED THERMO PLASTIC(UL94V-0)	BOTTOM COVER	YELLOW	7
1	-	1	1		POLYESTER OF GLASS FILLED THERMO PLASTIC(UL94V-0)	BOTTOM COVER	BLACK	6
-	1	-	-		POLYESTER OF GLASS FILLED THERMO PLASTIC(UL94V-0)	TOP COVER	YELLOW	6
1	-	1	1		POLYESTER OF GLASS FILLED THERMO PLASTIC(UL94V-0)	TOP COVER	BLACK	6
-	1	1	-		POLYESTER OF GLASS FILLED THERMO PLASTIC(UL94V-0)	LOCK EJECTOR WITH PRINT INK		5
1	1	1	1		POLYESTER OF GLASS FILLED THERMO PLASTIC(UL94V-0)	LOCK EJECTOR		5
1	1	1	1		STEEL/UNDER:Cu PLATING, TOP:Ni PLATING	BOTTOM SHELL		4
1	1	1	1		STEEL/UNDER:Cu PLATING, TOP:Ni PLATING	TOP SHELL		3
2	2	2	2		POLYESTER OF GLASS FILLED THERMO PLASTIC(UL94V-0)	PLUG HSG COVER		2
1	-	-	-		CONTACT: COPPER ALLOY UNDER ALL SURFACE: Ni PLATING 1.27μmMIN TOP CONTACT AREA: Au PLATING: 0.76μmMIN SOLDERING AREA: Au FLASH HSG: POLY-AMID OF GLASS FILLED THERMO PLASTIC(UL94V-0)	PLUG HSG SUB ASSY		1
-	1	1	1		CONTACT: COPPER ALLOY UNDER ALL SURFACE: Ni PLATING 1.27μmMIN TOP CONTACT AREA: Au PLATING: 0.5μmMIN SOLDERING AREA: Au FLASH HSG: POLY-AMID OF GLASS FILLED THERMO PLASTIC(UL94V-0)			
3-2040008-1	2040008-3	2040008-2	2040008-1					

- APPLICABLE CABLE: RECOMMENDED AWG30~26 X 8C  
MAX AWG22 X 4C  
OVERALL DIAMETER 6.7MAX.
- ~~DATE CODE IS DESCRIBED ON THE BUNDLED CUSTOMER DRAWING.~~
- THE PRODUCT OF THIS DRAWING NO. IS PACKED INDIVIDUALLY IN PACKAGE OF EXCLUSIVE USE.



4 PROP 65 WARNING LABEL: SEE SHEET 2

THIS DRAWING IS A CONTROLLED DOCUMENT.

DIMENSIONS: mm	TOLERANCES UNLESS OTHERWISE SPECIFIED: ±0.3	DWN S. INOMATA 12NOV2007	<p>INDUSTRIAL MINI I/O PLUG CONNECTOR KIT D-SHAPE TYPE 2</p>												
	<table border="1"> <tr> <td>0 PLC</td> <td>±</td> </tr> <tr> <td>1 PLC</td> <td>±0.5</td> </tr> <tr> <td>2 PLC</td> <td>±0.13</td> </tr> <tr> <td>3 PLC</td> <td>±0.013</td> </tr> <tr> <td>4 PLC</td> <td>±0.0001</td> </tr> <tr> <td>ANGLES</td> <td>±</td> </tr> </table>	0 PLC		±	1 PLC	±0.5	2 PLC	±0.13	3 PLC	±0.013	4 PLC	±0.0001	ANGLES	±	CHK I. HASEGAWA 12NOV2007
		0 PLC		±											
1 PLC	±0.5														
2 PLC	±0.13														
3 PLC	±0.013														
4 PLC	±0.0001														
ANGLES	±														
	<table border="1"> <tr> <td>MATERIAL</td> <td>FINISH</td> </tr> <tr> <td>SEE TABLE</td> <td>SEE TABLE</td> </tr> </table>	MATERIAL	FINISH	SEE TABLE	SEE TABLE	APVD I. HASEGAWA 12NOV2007									
		MATERIAL	FINISH												
SEE TABLE	SEE TABLE														
		PRODUCT SPEC 108-78405	NAME INDUSTRIAL MINI I/O PLUG CONNECTOR KIT D-SHAPE TYPE 2												
		APPLICATION SPEC 114-5431	SIZE A3												
		WEIGHT -	CAGE CODE 300779												
		CUSTOMER DRAWING	DRAWING NO C-2040008												
		SCALE 1:1	RESTRICTED TO												
		SHEET 1 OF 2	REV F1												

REVISIONS

NOTES: CONTINUATION FROM SHEET 1:

4 PROP 65 WARNING LABEL:

- THE WARNING LABEL ON THE PRODUCT OR LOWEST LEVEL PACKAGING.
- CHEMICAL NAME: ANTIMONY TRIOXIDE

**WARNING:** This product can expose you to chemicals including ANTIMONY TRIOXIDE which is known to the state of California to cause cancer. For more information, visit [www.P65Warnings.ca.gov](http://www.P65Warnings.ca.gov).

P	LTR	DESCRIPTION	DATE	DWN	APVD
	-	SEE SHEET 1	-	-	-

THIS DRAWING IS A CONTROLLED DOCUMENT.		DWN S. INOMATA 12NOV2007	<b>TE Connectivity</b>			
DIMENSIONS: mm		CHK I. HASEGAWA 12NOV2007				
		APVD I. HASEGAWA 12NOV2007	NAME INDUSTRIAL MINI I/O PLUG CONNECTOR KIT D-SHAPE TYPE 2			
TOLERANCES UNLESS OTHERWISE SPECIFIED: ±0.3		PRODUCT SPEC 108-78405	SIZE A3	CAGE CODE 00779	DRAWING NO C-2040008	RESTRICTED TO
0 PLC ± 1 PLC ±0.5 2 PLC ±0.13 3 PLC ±0.013 4 PLC ±0.0001 ANGLES ±		APPLICATION SPEC 114-5431				
MATERIAL SEE TABLE		FINISH SEE TABLE	WEIGHT -			
CUSTOMER DRAWING			SCALE 1:1	SHEET 2 OF 2	REV F1	