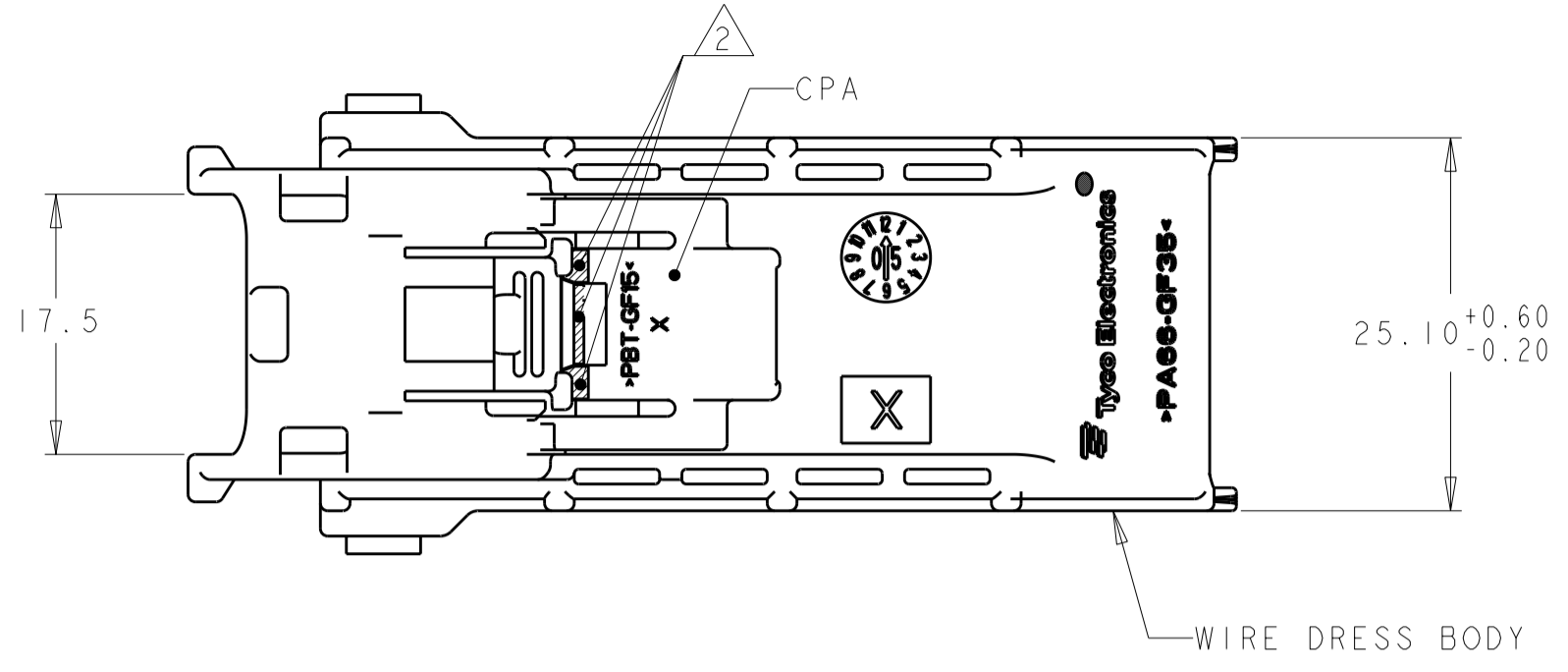
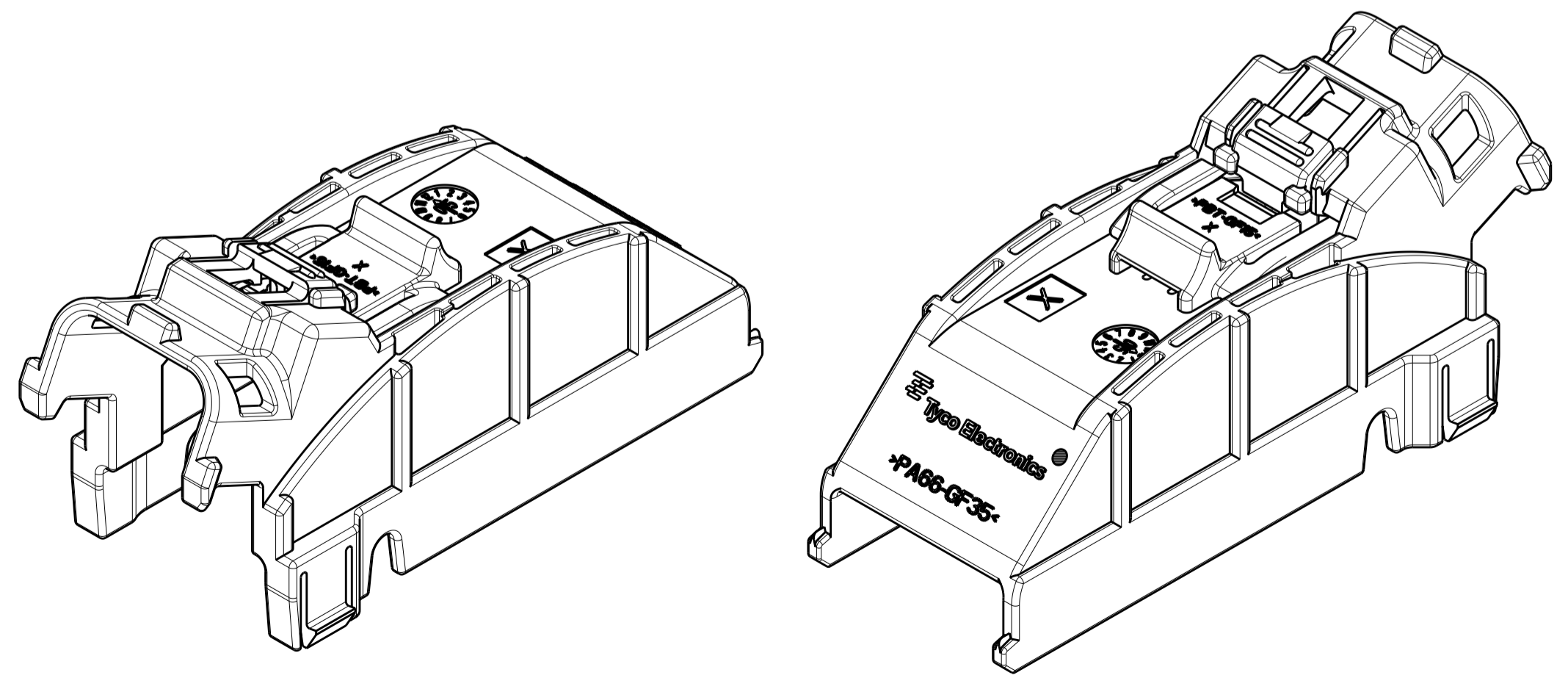
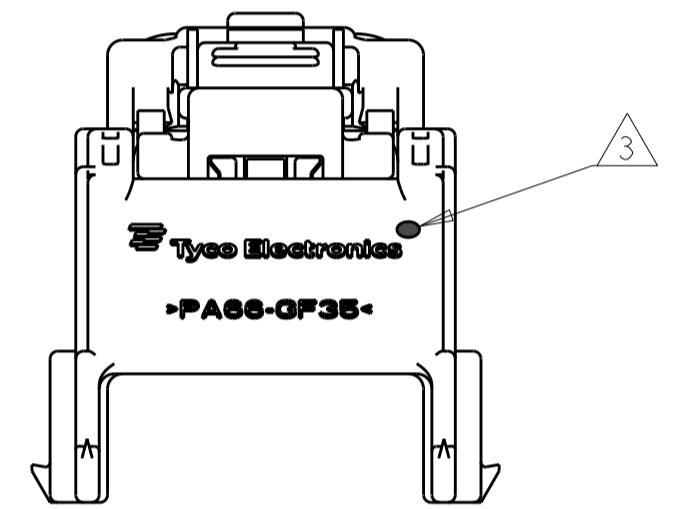
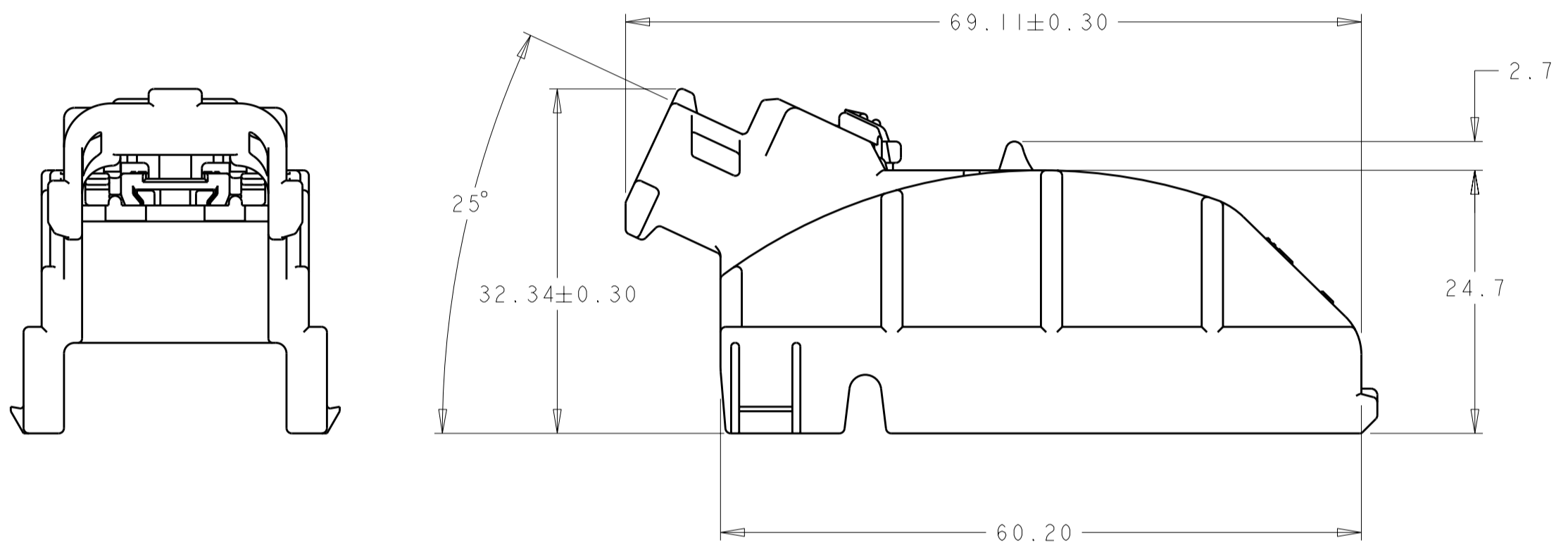


THIS DRAWING IS UNPUBLISHED. RELEASED FOR PUBLICATION 20
 © COPYRIGHT 20 BY - ALL RIGHTS RESERVED.

LOC	DIST	REVISIONS					
GE	00	P	LTR	DESCRIPTION	DATE	DWN	APVD
		B		REVISED PER ECO-08-025141	09OCT2008	DLD	CLA
		C		REVISED PER ECO-12-010406	04JUN2012	DLD	WEM



- △ MATERIAL:
 WIRE DRESS BODY - NYLON 6/6, 35% GLASS-FILLED, BLACK
 CPA - PBT 15% GLASS FILLED, RED
- △ COLOR STRIPE APPLIED IN THESE AREAS. WAVY OR IRREGULAR SURFACES AND EDGES ALLOWED.
- △ APPROXIMATE 1.5mm OVAL RAISED 0.2mm TO IDENTIFY COVERS COMPLYING TO REVISION "C" IN GENERAL AREA OF COMPANY LOGO AS SHOWN.
 NOTE: LOGO MAYBE PLACED 180° REVERSE FROM VIEW SHOWN.



13503708	WHITE △	2035024-2
19151252	NONE	2035024-1
GM P/N	COLOR MARKING	PART NUMBER

THIS DRAWING IS A CONTROLLED DOCUMENT.		DWN 08FEB2008 DL DRUMMOND	TE Connectivity	
DIMENSIONS: mm		CHK 08FEB2008 SCOTT BRENNER		
TOLERANCES UNLESS OTHERWISE SPECIFIED:		APVD 08FEB2008 SCOTT BRENNER	NAME	
0 PLC ±-		PRODUCT SPEC	ASSEMBLY, COVER, WIRE DRESS, 54 POSITION, PLUG, SDM	
1 PLC ±0.3		APPLICATION SPEC	SIZE	RESTRICTED TO
2 PLC ±0.20		WEIGHT	A20779C-2035024	-
3 PLC ±-		CUSTOMER DRAWING	SCALE 2:1	SHEET 1 OF 1
4 PLC ±-				REV C
ANGLES ±2°				
FINISH				