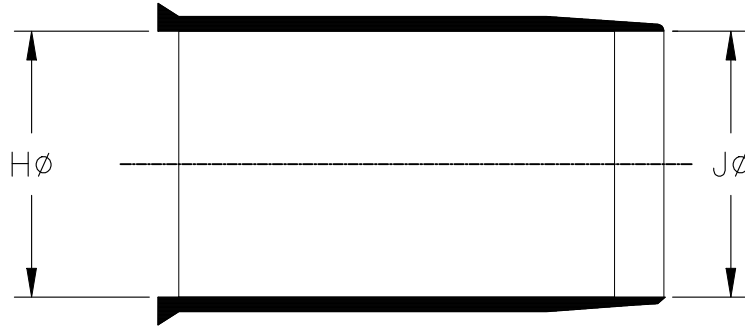


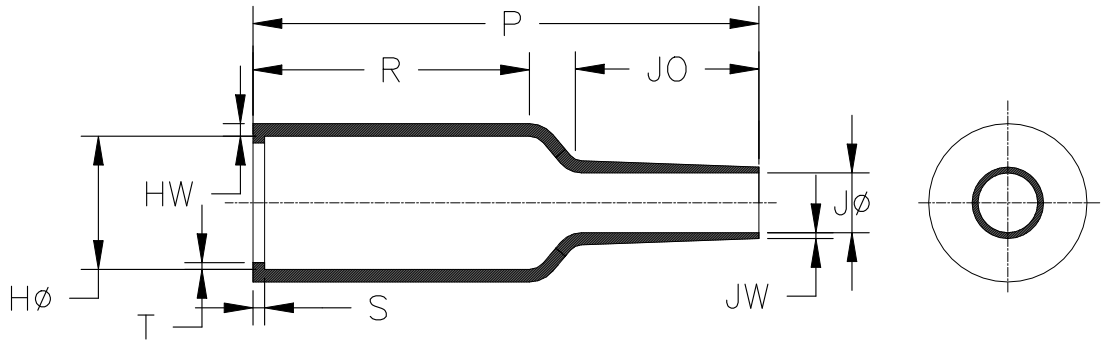
REVISIONS

P	LTR	DESCRIPTION	DATE	DWN	APVD
	3	ADDED ADDESSIVE OPTION /86	28JUN2021	RB	MT

a) Part as supplied.



b) Part after unrestricted recovery.



DIMENSIONS <sup>in millimetres</sup> [in inches, for reference]


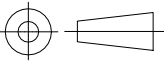
PART DESCRIPTION	H		J		P	R	S	T	JO	HW	JW
	MIN a	MAX b	MIN a	MAX b	±10% b	±10% b	±10% b	±10% b	±10% b	±20% b	±20% b
202K111	17 [.67]	6.9 [.27]	17 [.67]	3.0 [.12]	39 [1.54]	24 [.94]	1.7 [.07]	0.9 [.04]	10.8 [.43]	1.3 [.05]	0.7 [.03]

RELEASED FOR PUBLICATION

ALL RIGHTS RESERVED.

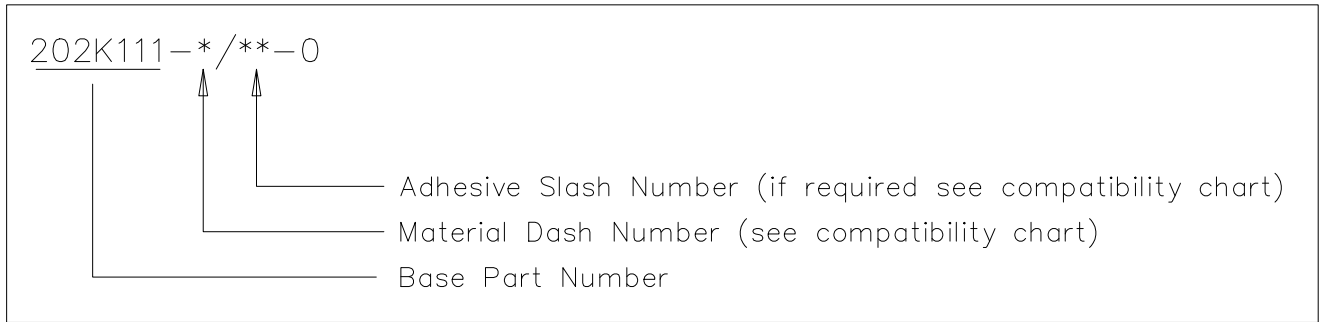
THIS DRAWING IS UNPUBLISHED.

© COPYRIGHT - TE Connectivity Ltd.

DIMENSIONS: mm [INCHES]	DWN A.LILLEY.	08JAN2019	MATERIAL -	FINISH -
	CHK N. PRZYBYLSKA	29JUN2021	 TE Connectivity Ltd.	
TOLERANCES UNLESS OTHERWISE SPECIFIED:	APVD MARK M. TAYLOR	29JUN2021		
0 PLC ± -	PRODUCT SPEC	-	NAME -	
1 PLC ± -	-	-	BOOT, STRAIGHT, WITH LIP	
2 PLC ± -	APPLICATION SPEC	-	SIZE	CAGE CODE
3 PLC ± -	-	-	A4	00779
4 PLC ± -	-	-	DRAWING NO	
ANGLES ± -	WEIGHT	-	C-202K111-XX-0	
	CUSTOMER DRAWING	SCALE	DNS	SHEET 1 OF 2
				REV 3

REVISIONS				
P	LTR	DESCRIPTION	DATE	APVD
	-	SEE SHEET 1	-	-

### Ordering Information



### COMPATIBILITY CHART

Material Dash Number	Material Description	SPEC Number	Coating Slash Number
-3	POLYOLEFIN, SEMI-RIGID	RT-301	/42, /86
-4	POLYOLEFIN, FLEXIBLE	RT-1304	/42, /86
-25	ELASTOMER, FLUID RESISTANT	RW-2070	/42, /86, /225

### NOTES

- ① As supplied dimensions are for uncoated parts, when coating is added entry diameters will reduce by 1.5mm[.06] Max.

RELEASED FOR PUBLICATION

ALL RIGHTS RESERVED.

THIS DRAWING IS UNPUBLISHED.

© COPYRIGHT - TE Connectivity Ltd.

DIMENSIONS: mm [INCHES]	DWN A.LILLEY.	08JAN2019	MATERIAL	-	FINISH	-
	CHK N. PRZYBYLSKA	29JUN2021	TE Connectivity Ltd.			
TOLERANCES UNLESS OTHERWISE SPECIFIED:	APVD MARK M. TAYLOR	29JUN2021				
0 PLC ± -	PRODUCT SPEC	-	NAME			
1 PLC ± -	-	-	-			
2 PLC ± -	APPLICATION SPEC	-	BOOT, STRAIGHT, WITH LIP			
3 PLC ± -	-	-	SIZE	CAGE CODE	DRAWING NO	RESTRICTED TO
4 PLC ± -	-	-	A4	00779	C-202K111-XX-0	-
ANGLES ± -	WEIGHT	-	CUSTOMER DRAWING			
	-	-	SCALE	DNS	SHEET	2 OF 2
						REV 3