

REVISIONS		
LTR	DESCRIPTION	DATE
B	REVISED PER ECO-09-018102	08/05/2009

**NOTES**

- ALL DIMENSIONS ARE IN  $\frac{\text{INCHES}}{\text{MILLIMETERS}}$
- DIMENSIONS APPEARING IN TABLE ARE AS FOLLOWS:
  - a - AS SUPPLIED
  - b - AFTER UNRESTRICTED RECOVERY

**3** ON PART 202G211, WALL THICKNESS WILL NOT BE MEASURED IN TRANSITION AREA.

4. ORDERING INFORMATION:

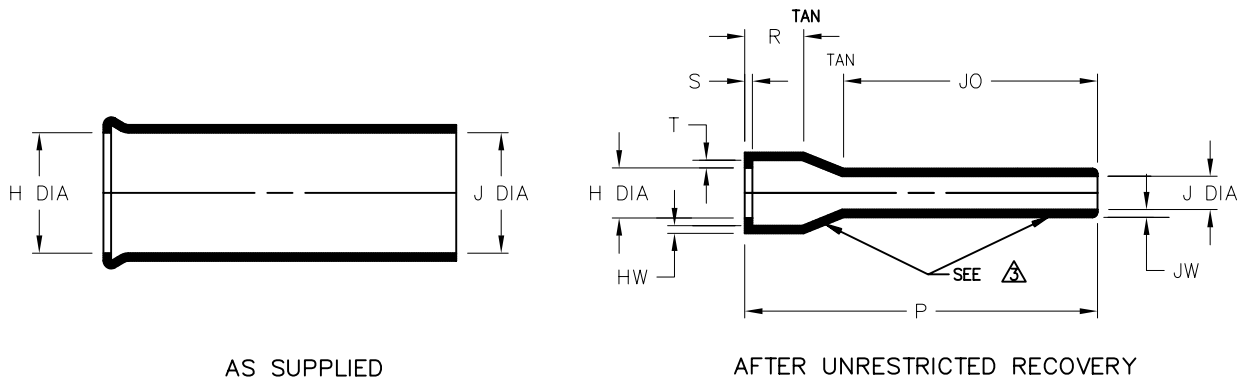
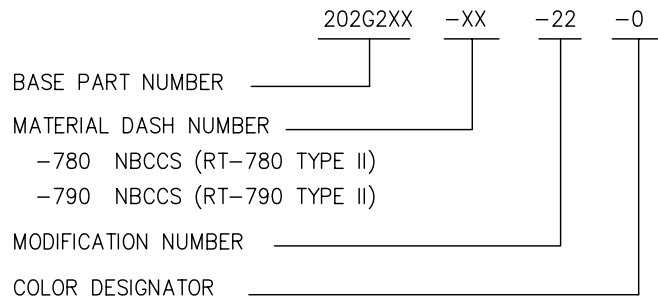


TABLE OF DIMENSIONS

PART DESCRIPTION	H		J		P ±10% b	R ±10% b	S REF b	T REF b	JO ±10% b	HW REF b	JW REF b
	MIN	MAX	MIN	MAX							
	a	b	a	b							
202G211-X-22	.94 [23,9]	.39 [9,9]	.94 [23,9]	.29 [7,4]	3.00 [76,2]	.46 [11,7]	.04 [1,0]	.05 [1,3]	2.23 [56,6]	.04 [1,0]	.03 [0,7]
202G221-X-22	1.07 [27,2]	.52 [13,2]	1.07 [27,2]	.33 [8,4]	3.25 [82,5]	.48 [12,2]	.04 [1,0]	.05 [1,3]	2.36 [59,9]	.04 [1,0]	.03 [0,7]
202G232-X-22	1.22 [31,0]	.73 [18,5]	1.22 [31,0]	.37 [9,4]	3.50 [88,9]	.48 [12,2]	.04 [1,0]	.05 [1,3]	2.48 [63,0]	.04 [1,0]	.03 [0,7]
202G242-X-22	1.25 [31,7]	.87 [22,1]	1.25 [31,7]	.42 [10,7]	4.00 [101,6]	.48 [12,2]	.04 [1,0]	.06 [1,5]	2.87 [72,9]	.04 [1,0]	.03 [0,7]
202G253-X-22	1.53 [38,9]	1.11 [28,2]	1.53 [38,9]	.47 [11,9]	4.50 [114,3]	.42 [10,6]	.05 [1,3]	.07 [1,8]	2.92 [74,1]	.05 [1,3]	.04 [1,0]

CUSTOMER DRAWING

<small>UNLESS OTHERWISE SPECIFIED DIMENSIONS ARE INCHES. METRIC DIMENSIONS ARE IN BRACKETS.</small> <small>DECIMAL TOLERANCES</small> .XXX ± 0.005 [0.13 mm] .XX ± 0.01 [0.25 mm] .X ± 0.1 [0.50 mm] <small>ANGLE TOLERANCE</small> X ± 1 DEG. <small>TYCO ELECTRONICS RESERVES THE RIGHT TO AMEND THIS DRAWING AT ANY TIME. USERS SHOULD EVALUATE THE SUITABILITY OF THE PRODUCT FOR THEIR APPLICATION.</small> <small>© 2005-2009 Tyco Electronics Corporation. All rights reserved.</small>	<small>DRAWN</small> YUNGUYEN		<small>Raychem Molded Parts</small> 305 Constitution Dr Menlo Park, CA 94025
	<small>APPROVED</small> STRAN		<small>TITLE</small> BOOT, STRAIGHT, WITH LIP
	<small>THIRD ANGLE PROJECTION</small>	<small>SIZE</small> B	<small>CODE IDENT. NO.</small> 06090

If this document is printed it becomes uncontrolled. Check for the latest revision