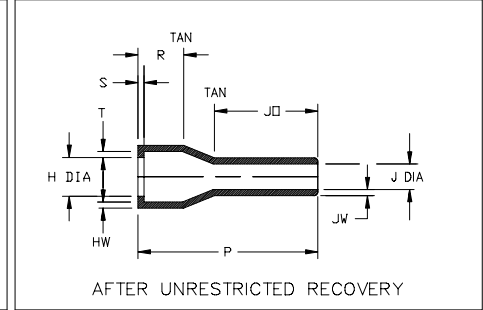
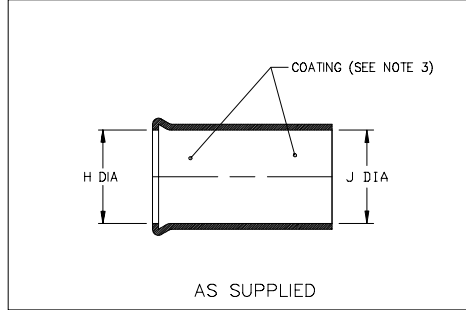


Thermofit[®] Molded Parts
 Specification Control Drawing
 Limited Distribution

Part Number : 202G221-X-01
 Description : Boot, Straight, With Lip

NOTES

- All dimensions are in $\frac{\text{inches}}{\text{[millimeters]}}$
- Dimensions appearing in table are as follows:
 a - As Supplied
 b - After Unrestricted Recovery
- Coating is optional. As supplied dimensions appearing in table are for uncoated parts. When coating is added, entry diameters will be reduced by .06 max.



PART NUMBER	H		J		P ±10% b	R ±10% b	S Ref b	T Ref b	JO ±10% b	HW Ref b	JW Ref b
	Min	Max	Min	Max							
	a	b	a	b							
202G221-X-01	1.07 [27,2]	.52 [13,2]	1.07 [27,2]	.33 [8,4]	2.13 [54,1]	.48 [12,2]	.04 [1,0]	.05 [1,3]	.80 [20,3]	.04 [1,0]	.03 [0,7]

Raychem

RAYCHEM CORPORATION
 300 CONSTITUTION DRIVE
 MENLO PARK, CALIFORNIA 94025

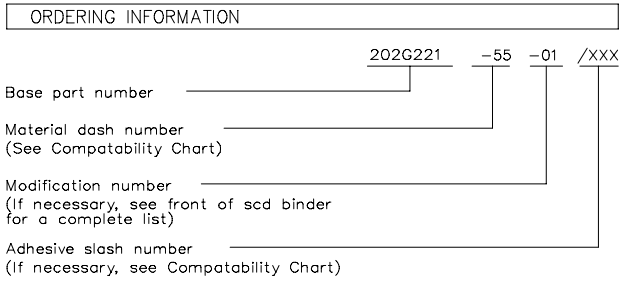
Revision : B
 Date : 11/18/98

Part Number : 202G221-X-01
 Description : Boot, Straight, With Lip

Thermofit[®] Molded Parts
 Specification Control Drawing
 Limited Distribution

Part Number : 202G221-X-01
 Description : Boot, Straight, With Lip

MATERIAL DASH NO.	MATERIAL DESCRIPTION	RT SPEC	COATING SLASH NO.	COATING S NO.	COATING DESCRIPTION
-55	Fluoropolymer	RT-1330			



THIS DRAWING IS SUBJECT TO CHANGE WITHOUT NOTICE; CONSULT YOUR
 NEAREST FIELD REPRESENTATIVE FOR CURRENT REVISION

Raychem

RAYCHEM CORPORATION
 300 CONSTITUTION DRIVE
 MENLO PARK, CALIFORNIA 94025

Revision : B
 Date : 11/18/98

Part Number : 202G221-X-01
 Description : Boot, Straight, With Lip
 CAD FILE MP98193