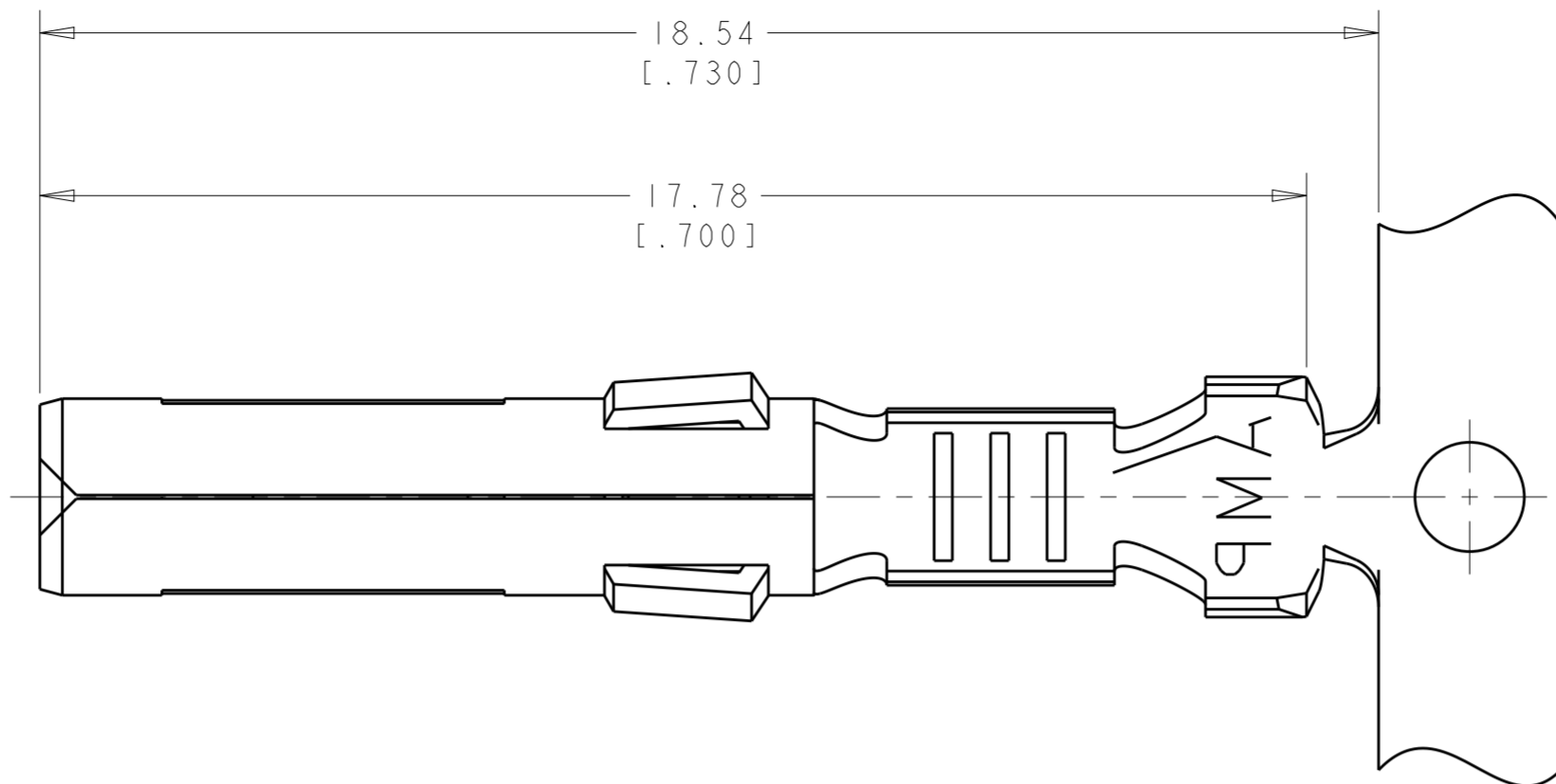
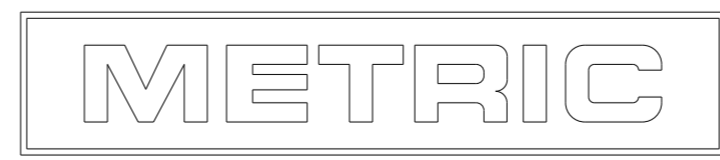
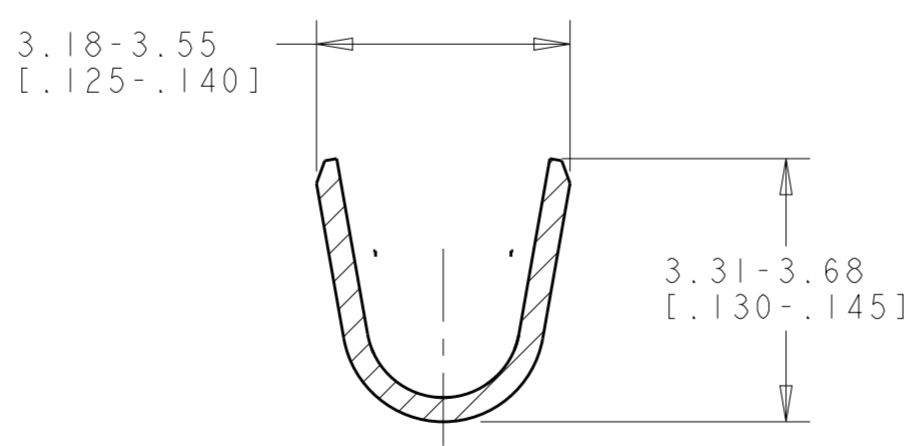
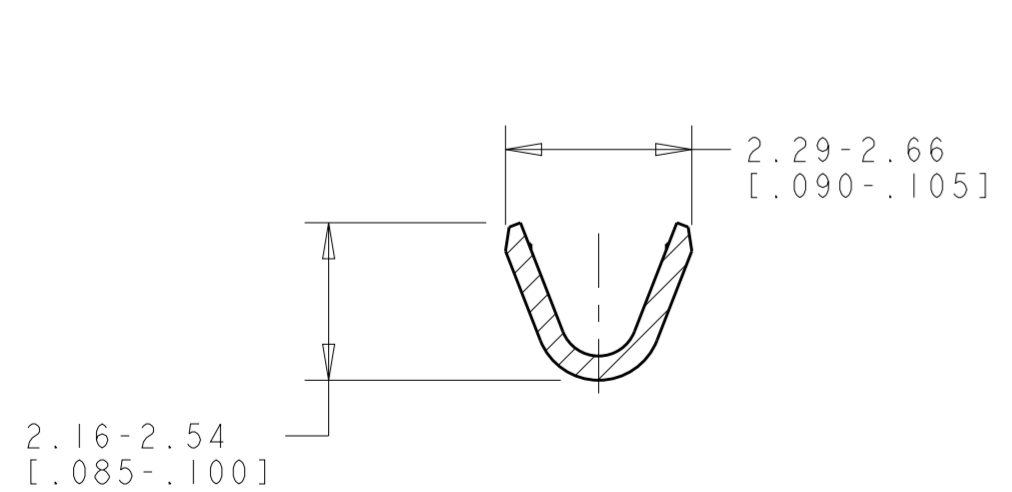
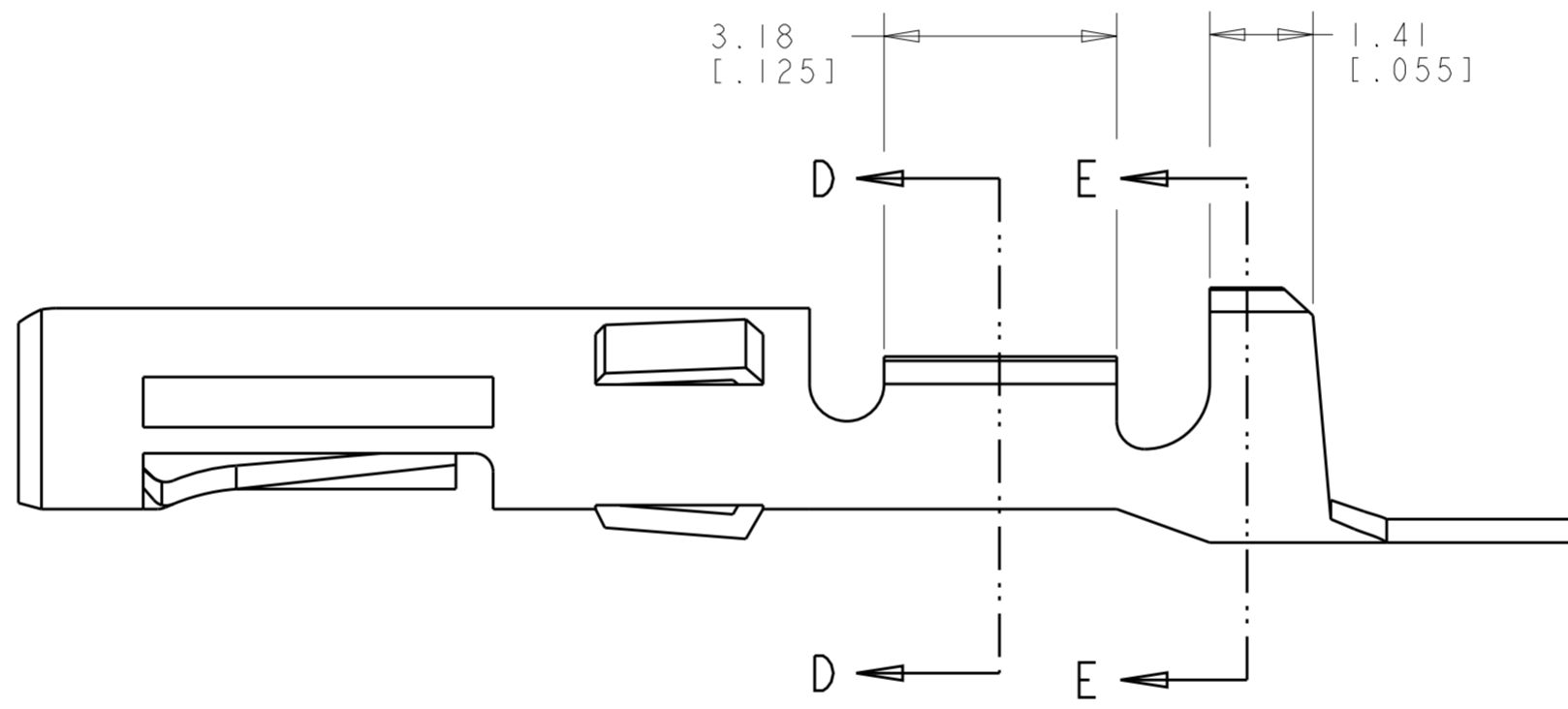
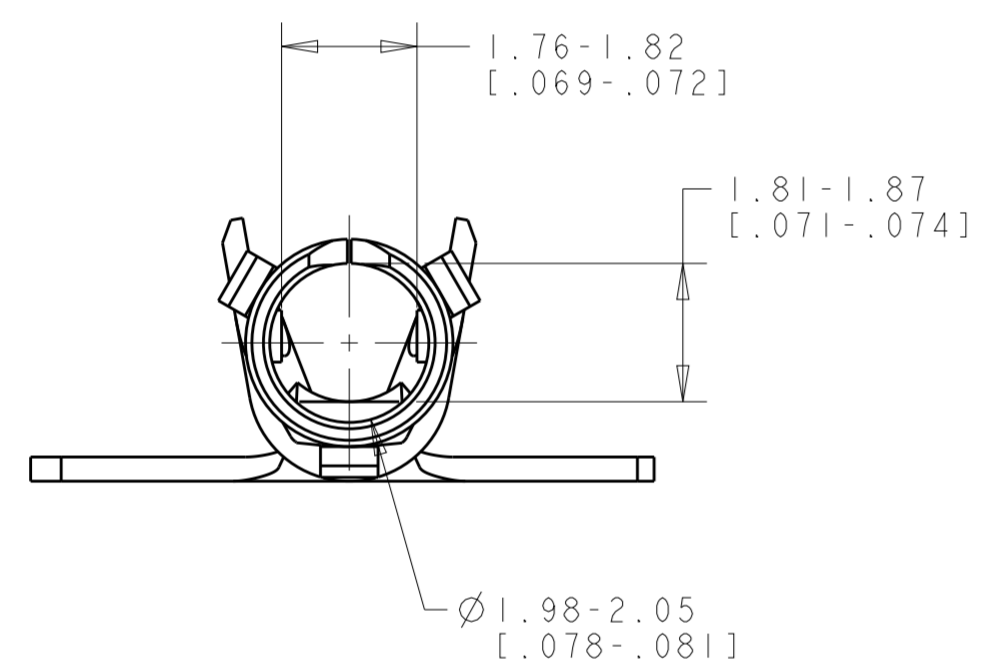


THIS DRAWING IS UNPUBLISHED. RELEASED FOR PUBLICATION 20
 © COPYRIGHT 20 BY - ALL RIGHTS RESERVED.

REVISIONS				
P	LTR	DESCRIPTION	DATE	APVD
A1		REV PER ECR 12-013810	25SEPT12	JR TM
A2		REVISED PER ECR-14-009056	17JUNE14	GK KD



1. DIMENSIONS IN BRACKETS ARE IN INCHES.
2. INSULATION DIAMETER 2.54 [.100] MAX.
3. WIRE RANGE 0.9 - 0.2 mm² [24 - 18 AWG].



0.3 [.012] BRASS, PRE-TIN	2029185-1
MATERIAL AND FINISH	PART NUMBER

THIS DRAWING IS A CONTROLLED DOCUMENT.		DWN K. WHITAKER 23SEP2008	TE Connectivity	
DIMENSIONS: mm [INCHES]		CHK C. CASH 23SEP2008		
TOLERANCES UNLESS OTHERWISE SPECIFIED:		APVD C. CASH 23SEP2008		
0 PLC ±	1 PLC ±	PRODUCT SPEC	NAME SOCKET, SPECIAL, MATE-N-LOK (TM)	
2 PLC ±0.25 [.010]	3 PLC ±	APPLICATION SPEC	SIZE A2	CAGE CODE -
4 PLC ±	ANGLES ±	WEIGHT -	DRAWING NO C-2029185	RESTRICTED TO -
MATERIAL SEE TABLE	FINISH SEE TABLE	CUSTOMER DRAWING	SCALE 10:1	SHEET 1 OF 1
			REV A2	