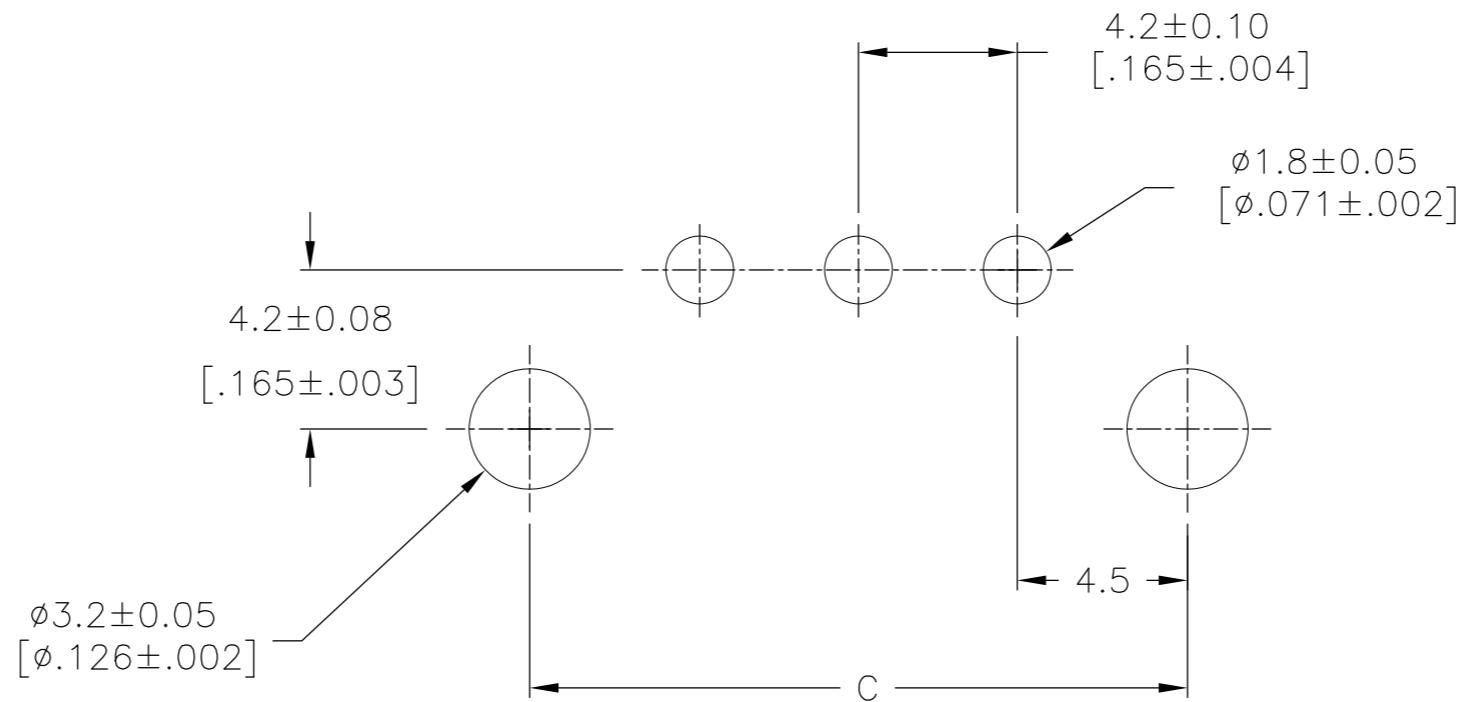
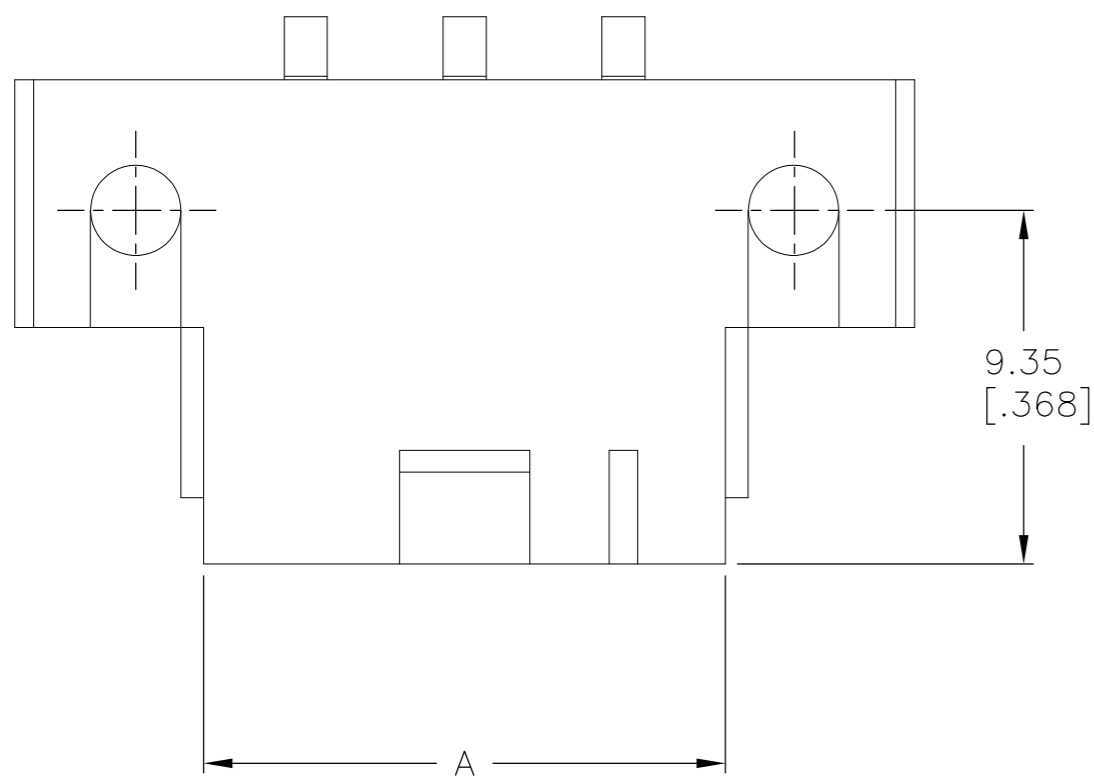
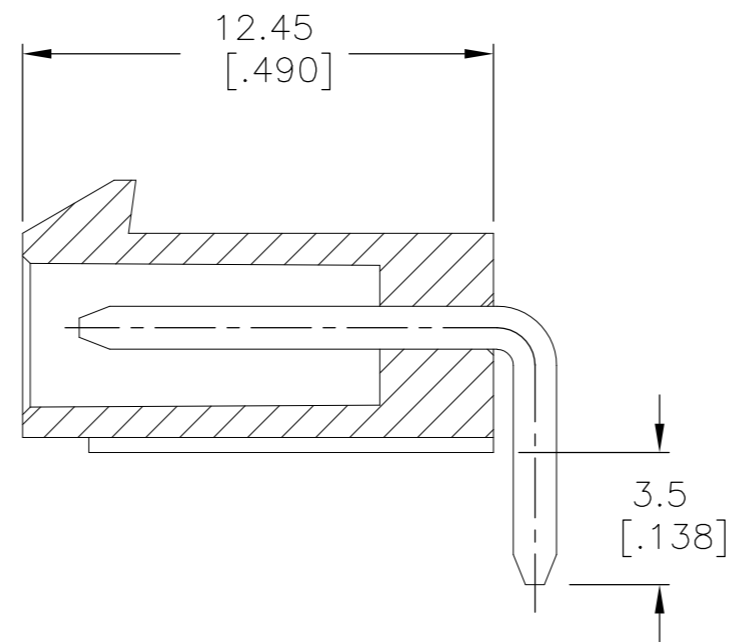
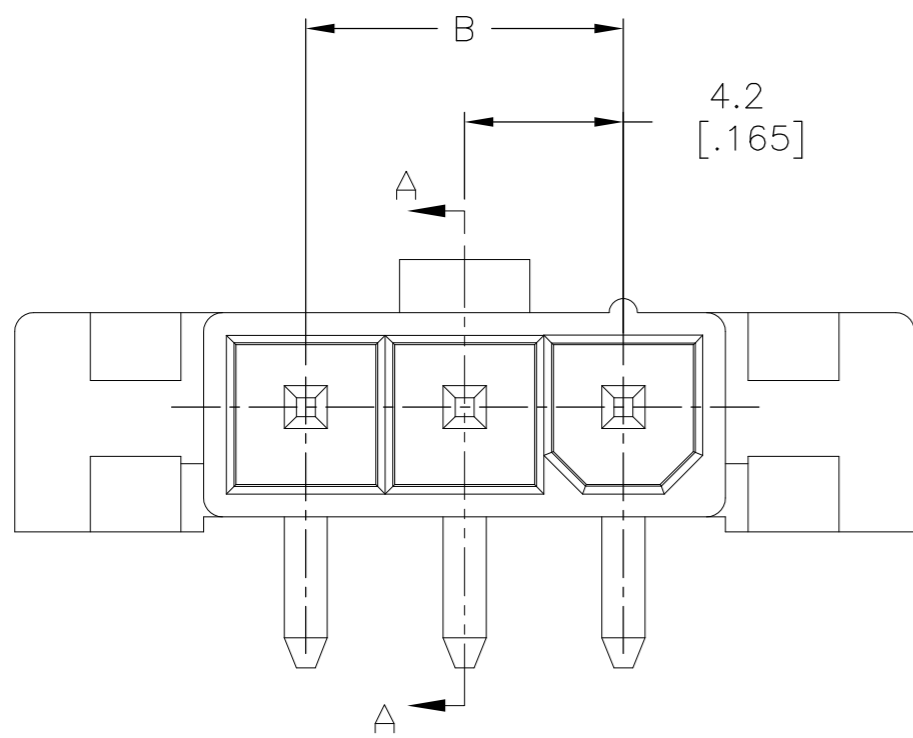
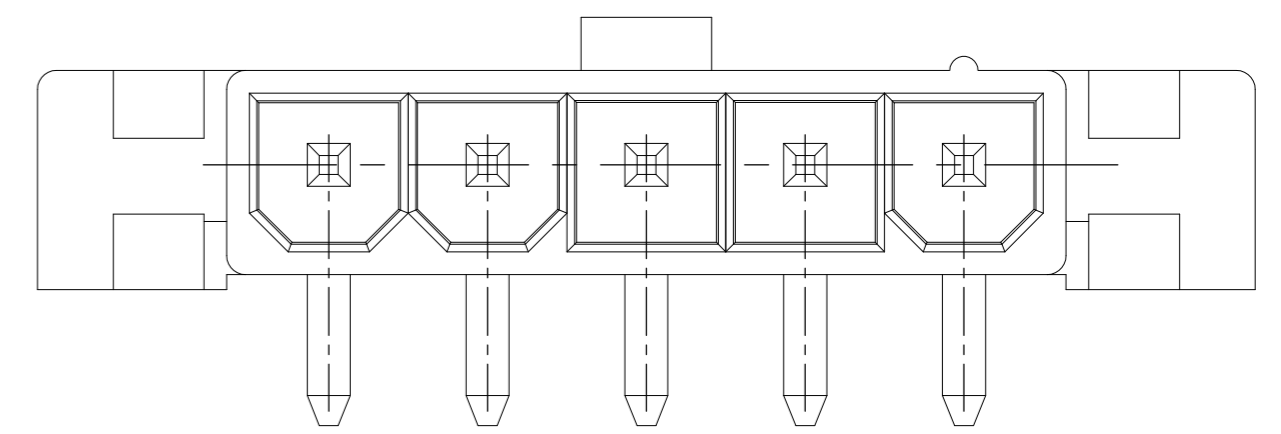
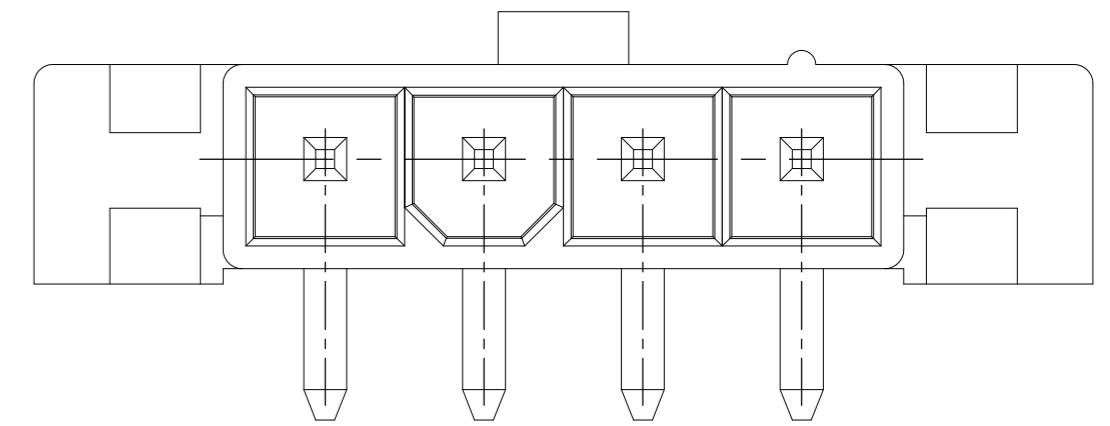


THIS DRAWING IS UNPUBLISHED. RELEASED FOR PUBLICATION  
 © COPYRIGHT BY TYCO ELECTRONICS CORPORATION. ALL RIGHTS RESERVED.

| LOC | DIST | REVISIONS   |          |           |       |
|-----|------|-------------|----------|-----------|-------|
| P   | LTR  | DESCRIPTION | DATE     | DWN       | APVD  |
| CM  | 00   | A           | RELEASED | 16OCT2008 | KW CC |



1 MATERIAL: HOUSING: NYLON, UL94V-2  
 CONTACTS: BRASS, TIN-PLATED



2029152-3 SHOWN

|     |             |             |             |             |
|-----|-------------|-------------|-------------|-------------|
| 5   | 25.8 [1.02] | 16.8 [.661] | 220. [.874] | 2029152-5   |
| 4   | 21.6 [.850] | 12.6 [.496] | 18 [.709]   | 2029152-4   |
| 3   | 17.4 [.685] | 8.4 [.330]  | 13.8 [.543] | 2029152-3   |
| POS | C           | B           | A           | PART NUMBER |

**METRIC**

|  |  |   |   |  |
|--|--|---|---|--|
| THIS DRAWING IS A CONTROLLED DOCUMENT. |  | DWN<br>K. WHITAKER<br>14OCT2008         | Tyco Electronics Corporation<br>Harrisburg, PA 17105-3608 |  |
| DIMENSIONS:<br>mm [INCHES]             |  | CHK<br>C. CASH<br>14OCT2008             | NAME  |  |
| TOLERANCES UNLESS OTHERWISE SPECIFIED: |  | APVD<br>C. CASH<br>14OCT2008            | PRODUCT SPEC  |  |
| 0 PLC ±                                |  | APPLICATION SPEC                        |   |  |
| 1 PLC ± 0.13 [.005]                    |  | WEIGHT                                  |   |  |
| 2 PLC ± 0.13 [.005]                    |  | SCALE 5:1                               |   |  |
| 3 PLC ±                                |  | SHEET 1 of 1                            |   |  |
| 4 PLC ±                                |  | REV A                                   |   |  |
| ANGLES ±                               |  | CUSTOMER DRAWING                        |   |  |
| FINISH                                 |  | SIZE CAGE CODE DRAWING NO RESTRICTED TO |   |  |
| 1                                      |  | A2 00779 C=2029152                      |   |  |