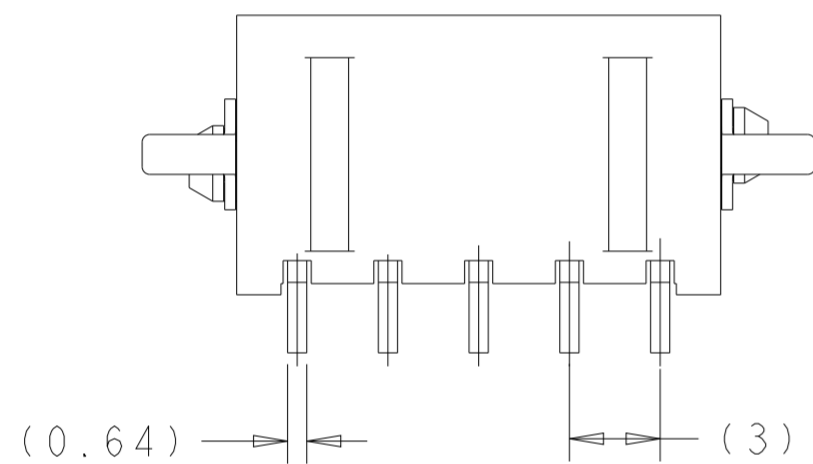
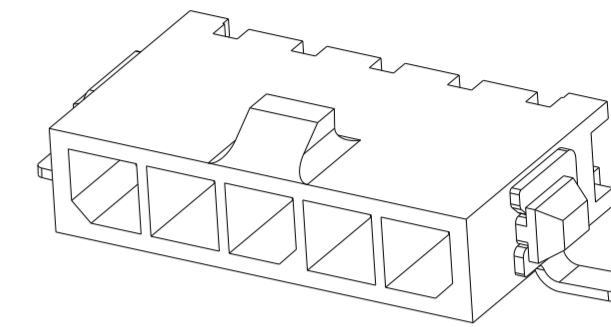
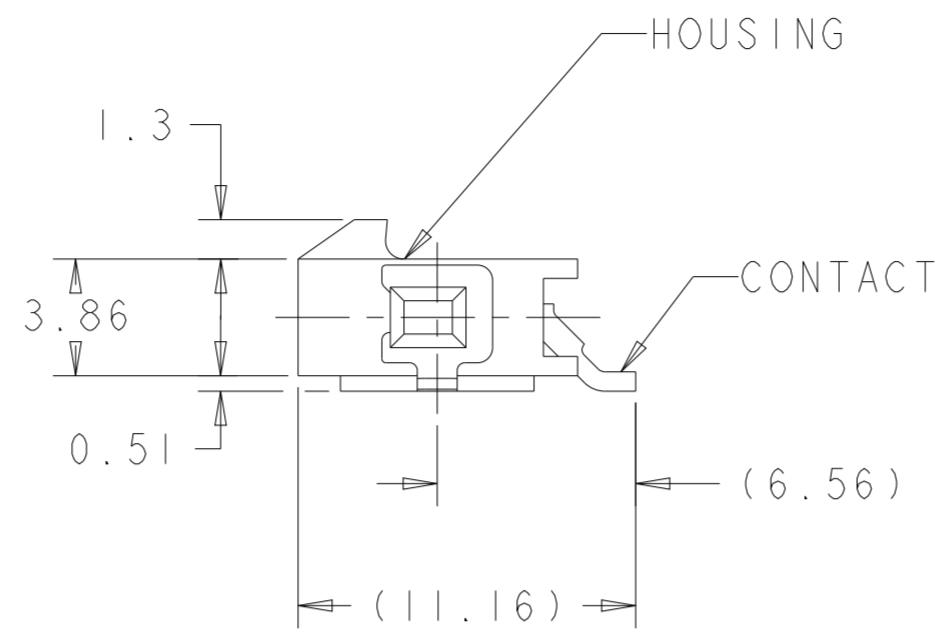
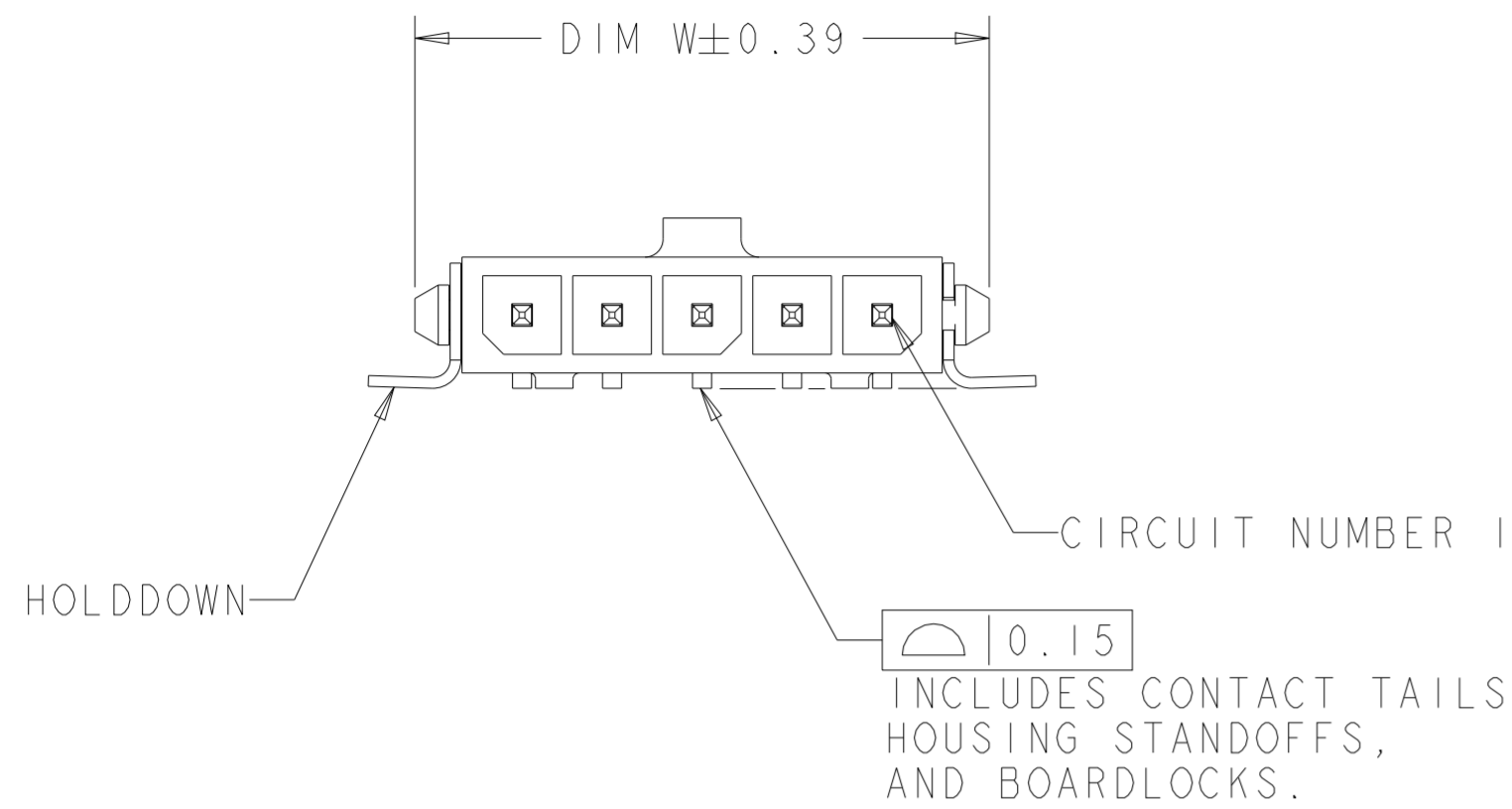
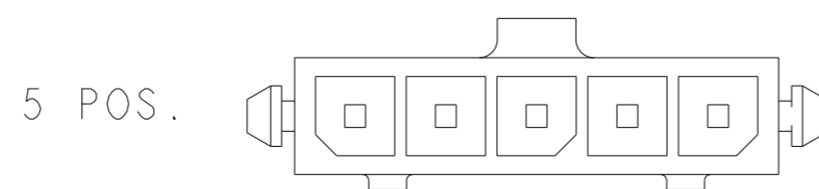
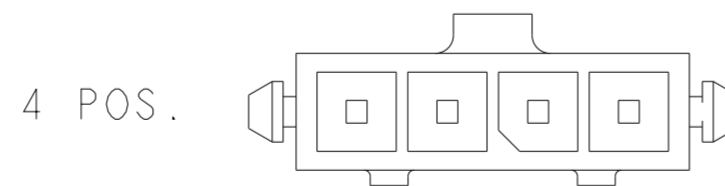
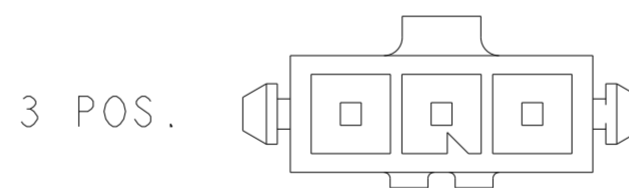
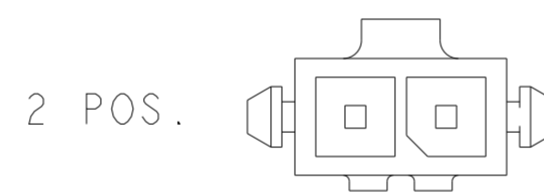


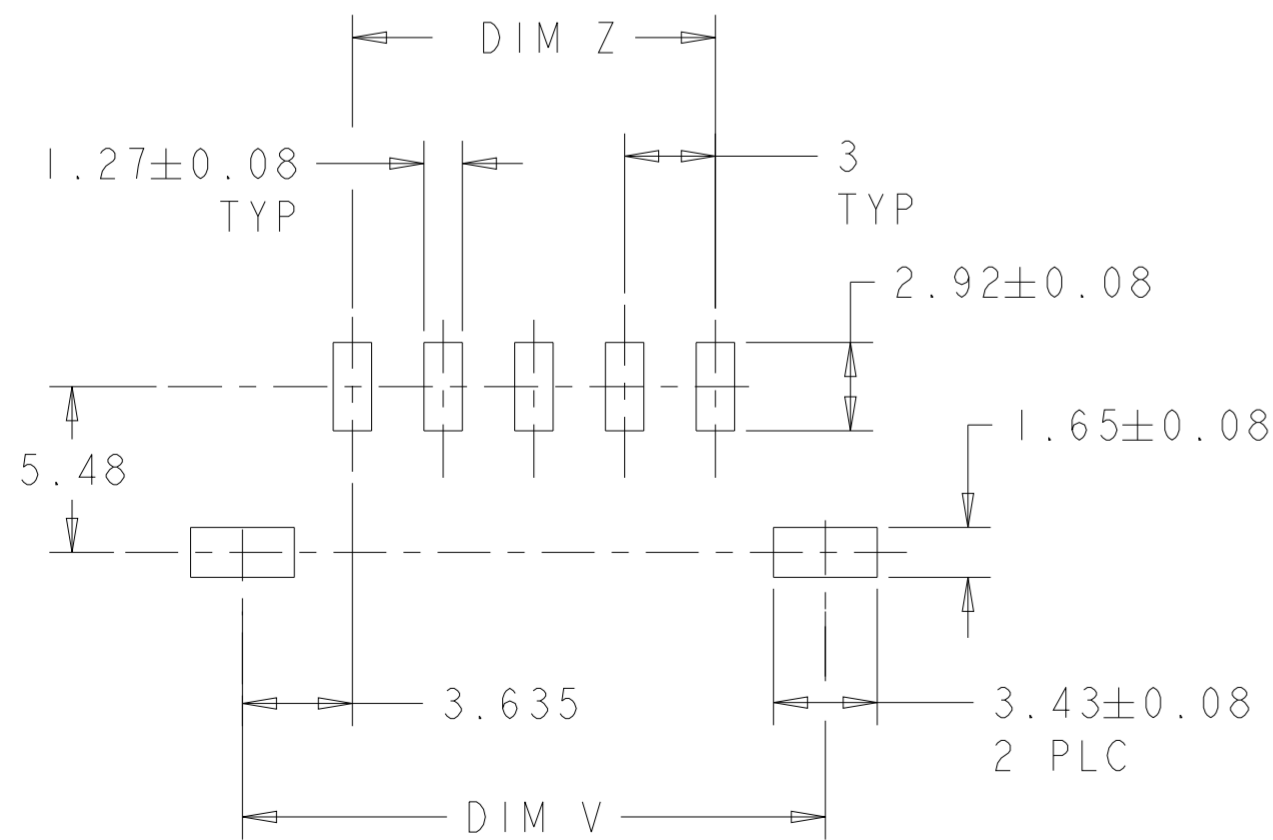
P	LTR	DESCRIPTION	DATE	DWN	APVD
B		REVISED PER ECO-11-010355	08JUN2011	HMR	JR
B1		ECO-19-006934	10MAY2019	AP	WS
B2		REVISED PER ECN-23-198901	23FEB2023	WLS	VS



- ① MATERIAL: HOUSING - UL 94V-0 RATED HIGH TEMP NYLON, COLOR NATURAL. CONTACTS - BRASS. HOLDDOWNS - PHOSPHOR BRONZE.
- ② PLATING: CONTACTS - 2.54µm MIN TIN OVER 1.27µm MIN NICKEL. HOLDDOWNS - 2.54µm MIN TIN OVER 1.27µm MIN NICKEL.
- ③ RECOMMENDED PCB BOARD THICKNESS OF 1.57



KEYING BY POSITION SIZE



PCB LAYOUT COMPONENT SIDE ③

12	19.27	19	5	2029076-5
9	16.27	16	4	2029076-4
6	13.27	13	3	2029076-3
3	10.27	10	2	2029076-2
DIM Z	DIM V	DIM W	NO. OF POSN	PART NUMBER

THIS DRAWING IS A CONTROLLED DOCUMENT.

DIMENSIONS: mm	TOLERANCES UNLESS OTHERWISE SPECIFIED:	DWN K. WHITAKER 11MAR2008	TE Connectivity
	0 PLC ±	CHK C. JONES 11MAR2008	
	1 PLC ±	APVD C. JONES 11MAR2008	
	2 PLC ±0.13	PRODUCT SPEC 108-1836	
MATERIAL ①	ANGLES ±°	FINISH ②	NAME RT ANGLE SURFACE MOUNT HEADER ASSY, TIN CONTACTS W/SURF MOUNT HOLDDOWNS, SINGLE ROW, MICRO MATE-N-LOK(TM) SIZE A2 CAGE CODE 00779 DRAWING NO C-2029076 RESTRICTED TO - WEIGHT - SCALE 4:1 SHEET 1 OF 1 REV B2 CUSTOMER DRAWING