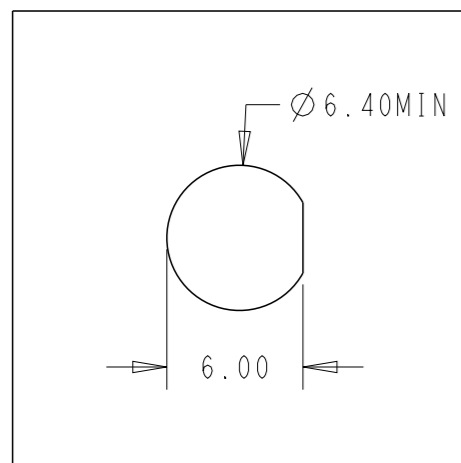
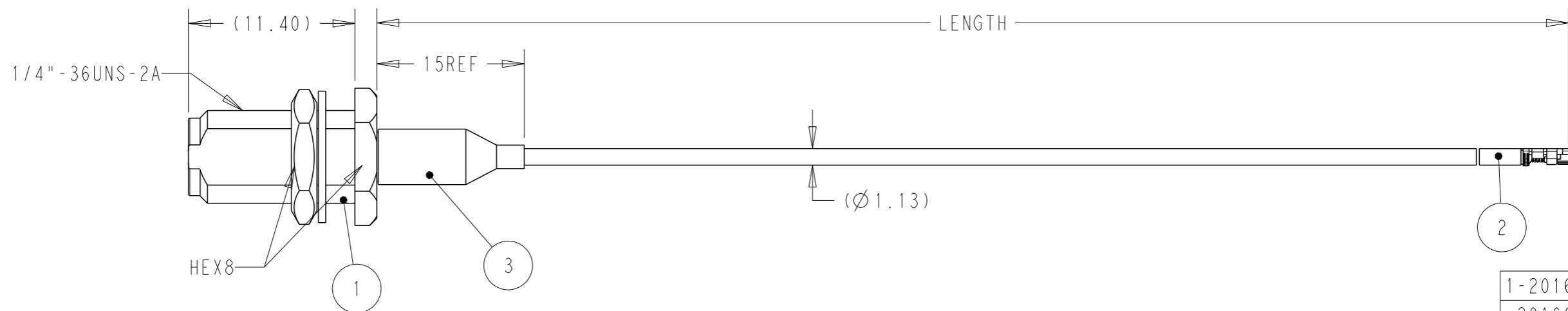
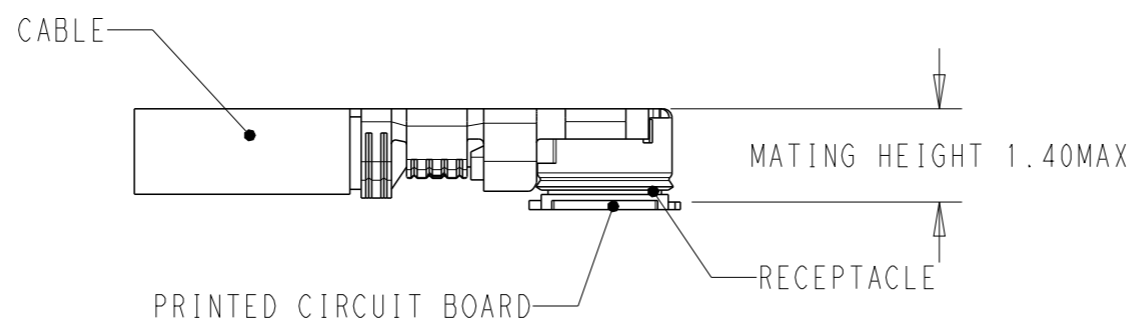


| P | LTR | DESCRIPTION | DATE | DWN | APVD |
|---|-----|-----------------------|-----------|-----|------|
| 3 | | ADDED UMCC MATING DIM | 18MAY2020 | CL | SZ |
| 3 | | ECR-15-001339 | 18MAY2020 | CL | SZ |
| 4 | | ECR-22-136185 | 18APR2022 | JZ | WKH |
| A | | ECR-22-147664 | 28JUL2022 | JZ | WKH |



RECOMMENDED MOUNTING HOLE



| PART NUMBER | LENGTH |
|-------------|--------|
| 1-2016694-0 | 170±3 |
| 2016694-9 | 500±5 |
| 2016694-8 | 450±5 |
| 2016694-7 | 350±5 |
| 2016694-6 | 300±3 |
| 2016694-5 | 250±3 |
| 2016694-4 | 200±3 |
| 2016694-3 | 150±3 |
| 2016694-2 | 100±3 |
| 2016694-1 | 50+3 |

- NOTES:
- MATERIAL AND PROCESSING MUST MEET REQUIREMENTS OF TEC-138-702
 - SMA BULKHEAD NEED ASSEMBLY NUT AND WASHER
 - PRODUCT RATING:
 TEMPERATURE: -45°C TO +85°C
 VOLTAGE: 30V (RMS)
 CHARACTERISTIC IMPEDANCE: 50 OHMS Normal
 FREQUENCY RANGE: DC TO 9GHz
 BEND RADIUS: 5MM MIN
 - CABLE ASSEMBLY TO BE 100% OPEN AND SHORT TESTED
 - SMA INTERFACE FOLLOW IEC 60169-15
 UMCC IV CAN MATE WITH I-PEX MHF4L SERIES AND HIROSE W.FL SERIES

| PC | Q'TY | UNIT | DESCRIPTION | ITEM |
|----|------|------|--------------------------------------|------|
| PC | 1 | | HEAT SHRINK TUBE | 3 |
| PC | 0.5 | | RF CA,UMCC4 BOTH END, WITH 1.13CABLE | 2 |
| PC | 1 | | SMA BULKHEAD, FOR 1.13 CABLE | 1 |

| | | | | |
|--|--|---|--|---|
| THIS DRAWING IS A CONTROLLED DOCUMENT. | | DWN 25FEB2019 Cedar Liu | | |
| | | CHK 26FEB2019 Roger Song | | |
| DIMENSIONS: mm | | TOLERANCES UNLESS OTHERWISE SPECIFIED: 0 PLC ±- 1 PLC ±0.5 2 PLC ±0.13 3 PLC ±0.013 4 PLC ±0.0001 ANGLES ±- | | NAME RF CA, SMA BULKHEAD TO UMCC GEN4 WITH 1.13 CABLE |
| MATERIAL - | | FINISH - | | PRODUCT SPEC - APPLICATION SPEC - WEIGHT - |
| | | SIZE A3 CAGE CODE 00779 DRAWING NO C-2016694 | | RESTRICTED TO - |
| CUSTOMER DRAWING | | SCALE 1:1 | | SHEET 1 OF 1 REV A |