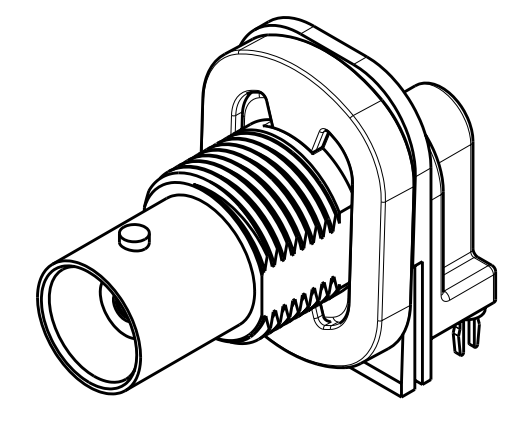
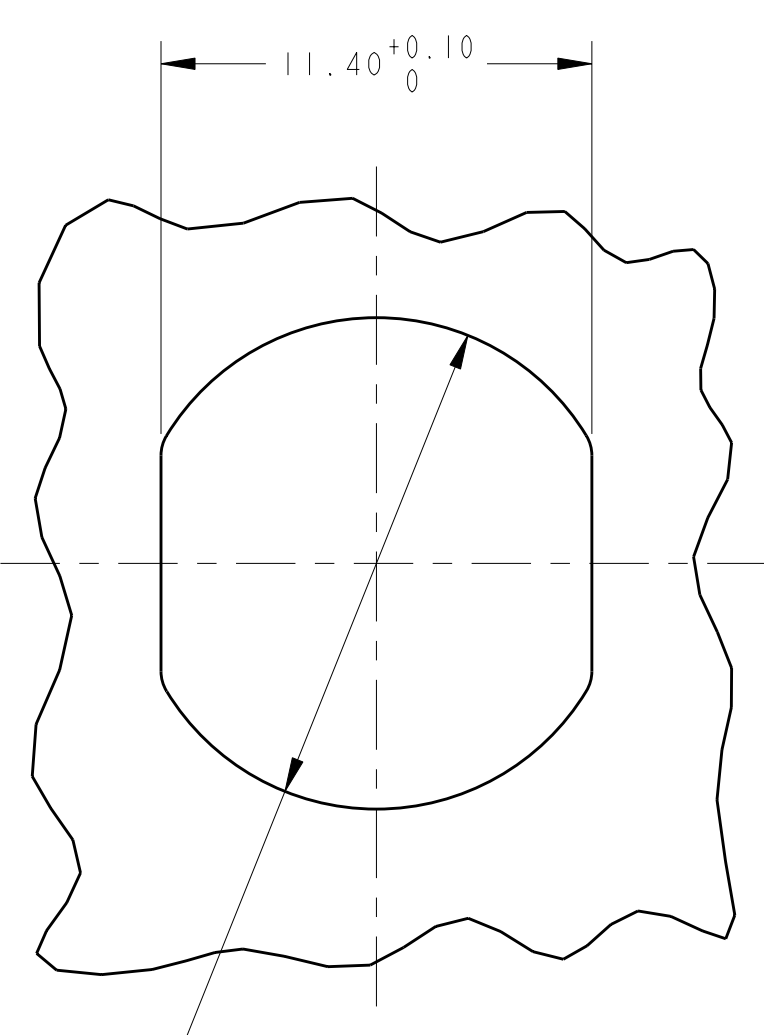
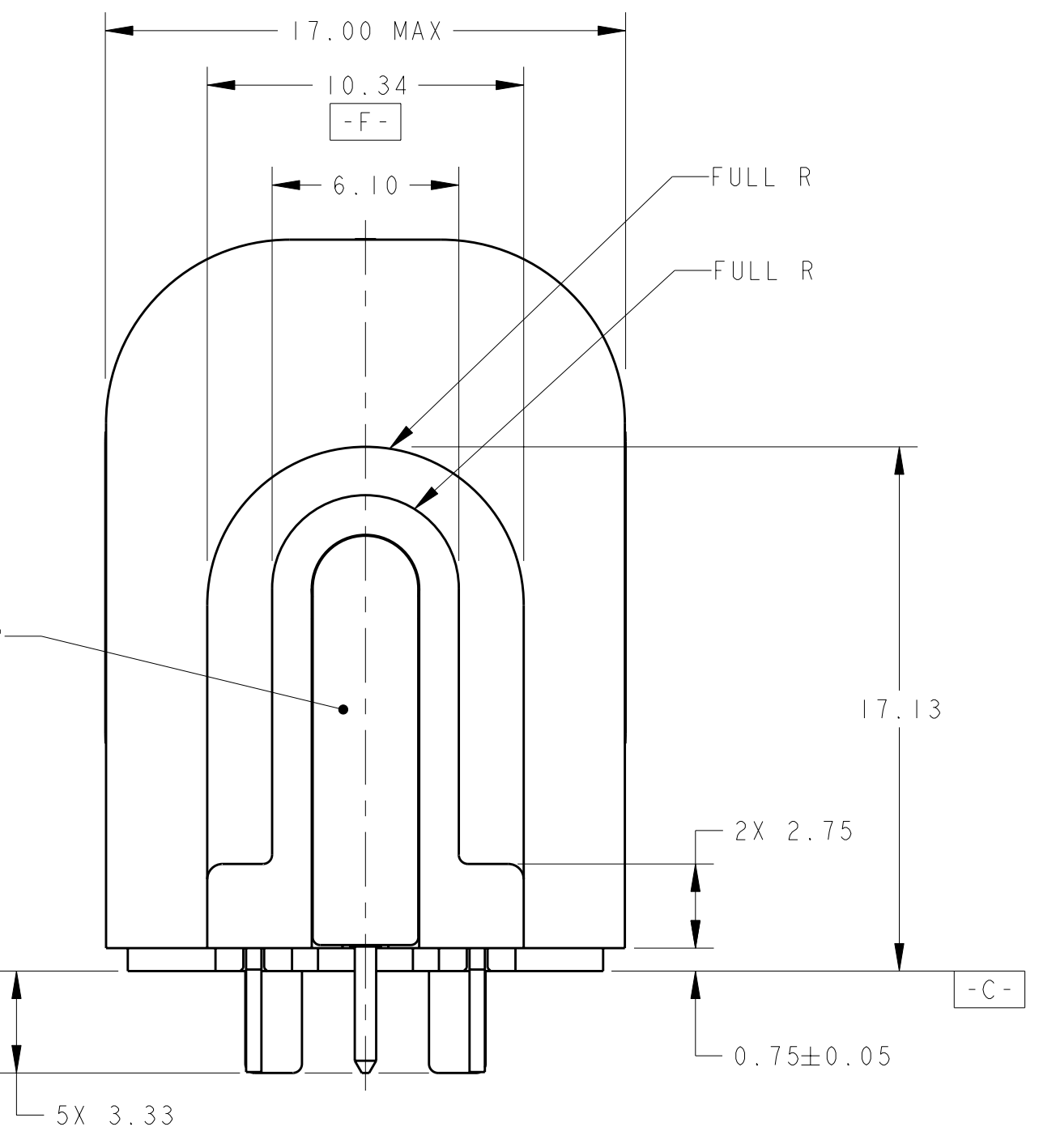
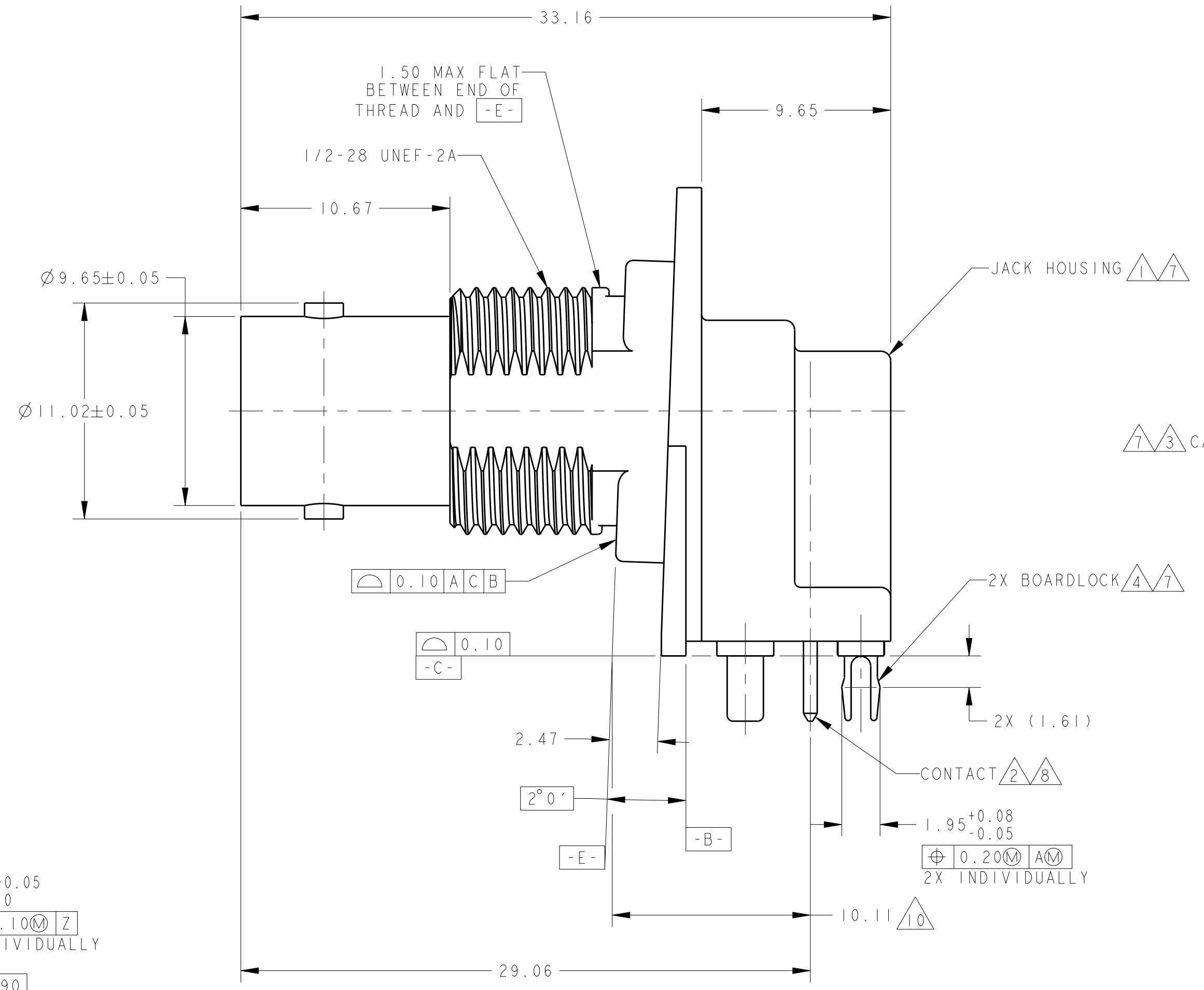
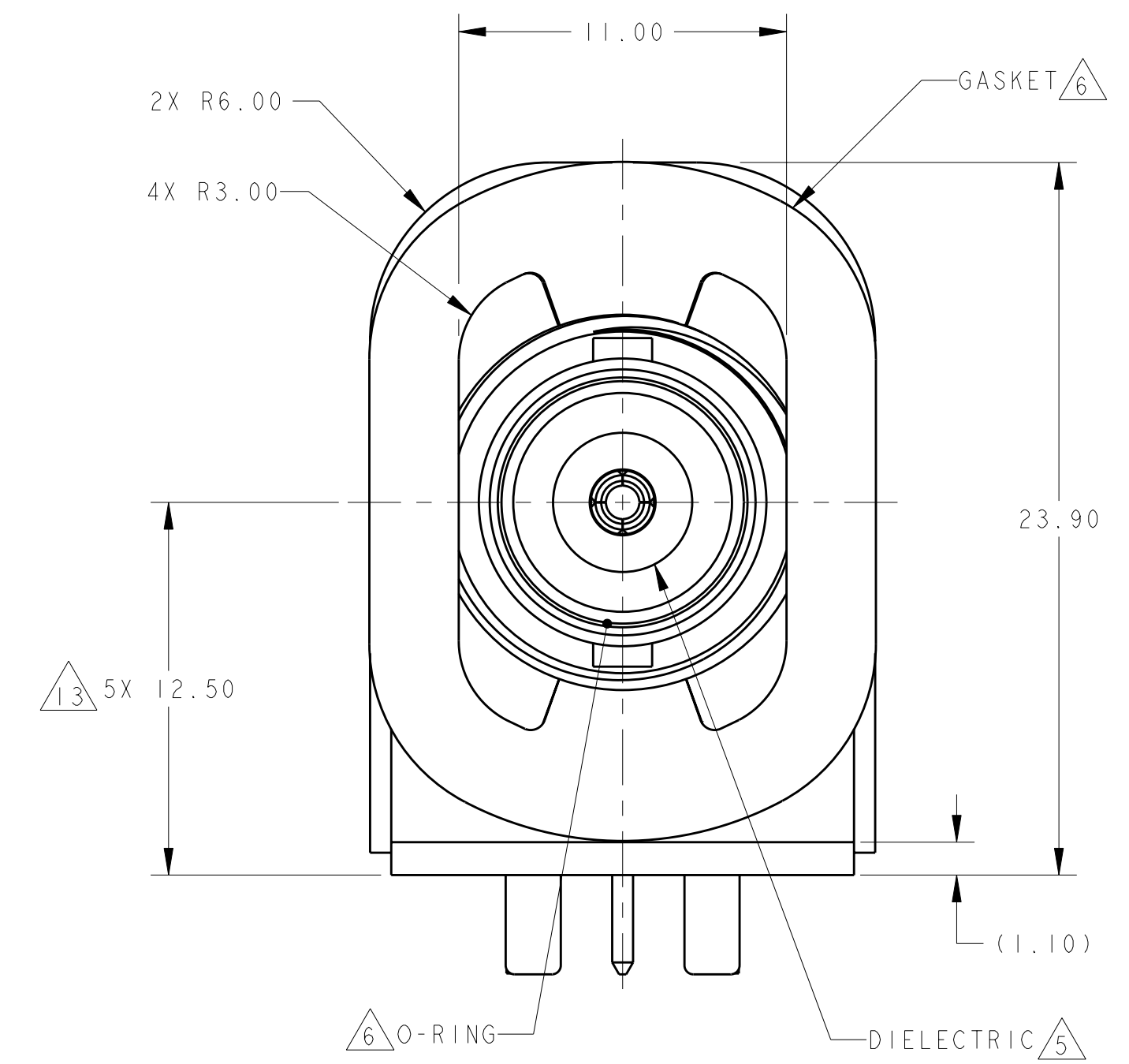


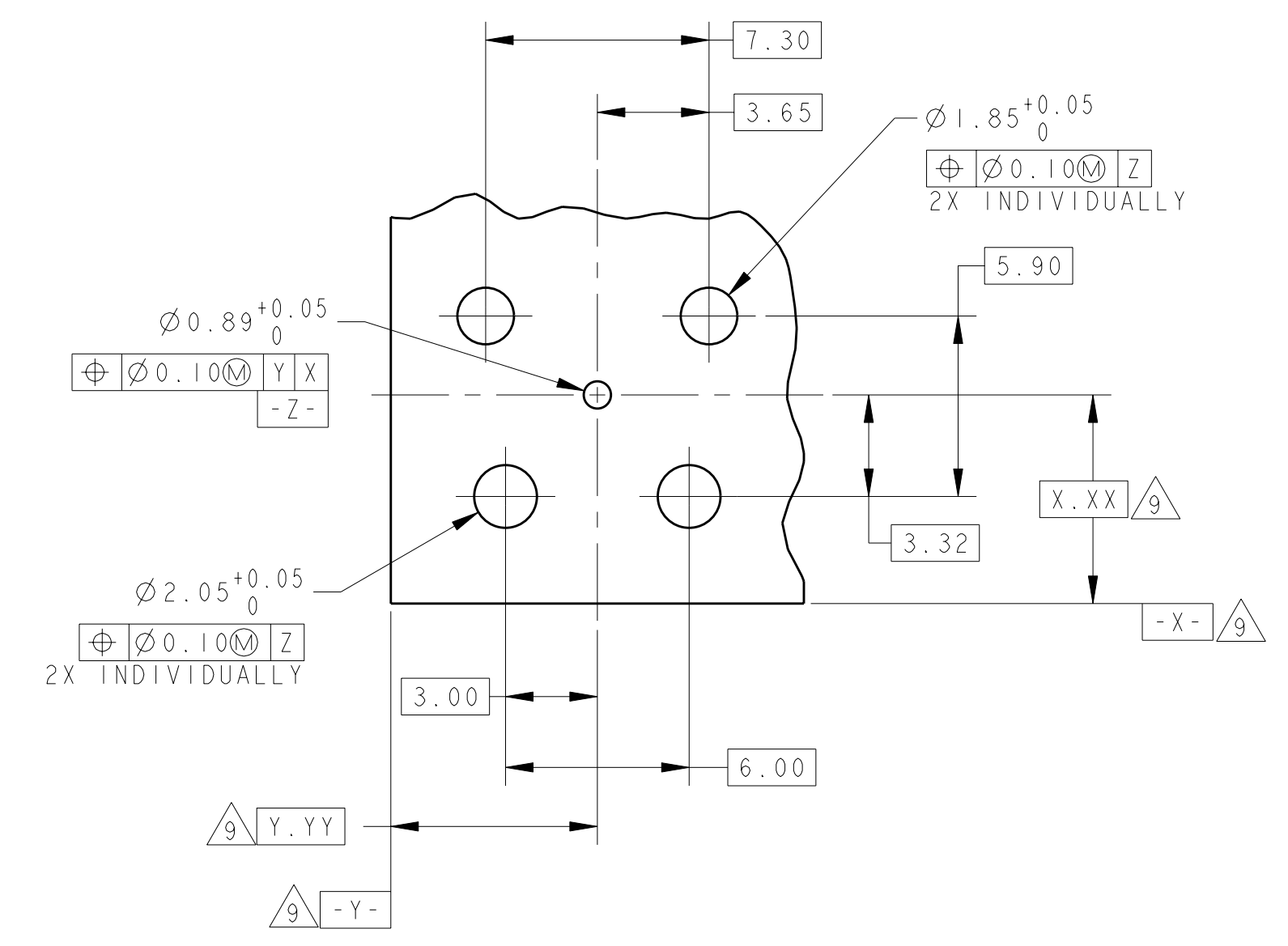
LOC	DIST	REV	DATE	BY	CHK	APPV
AJ	00	D1	21MAR12	RK	MY	



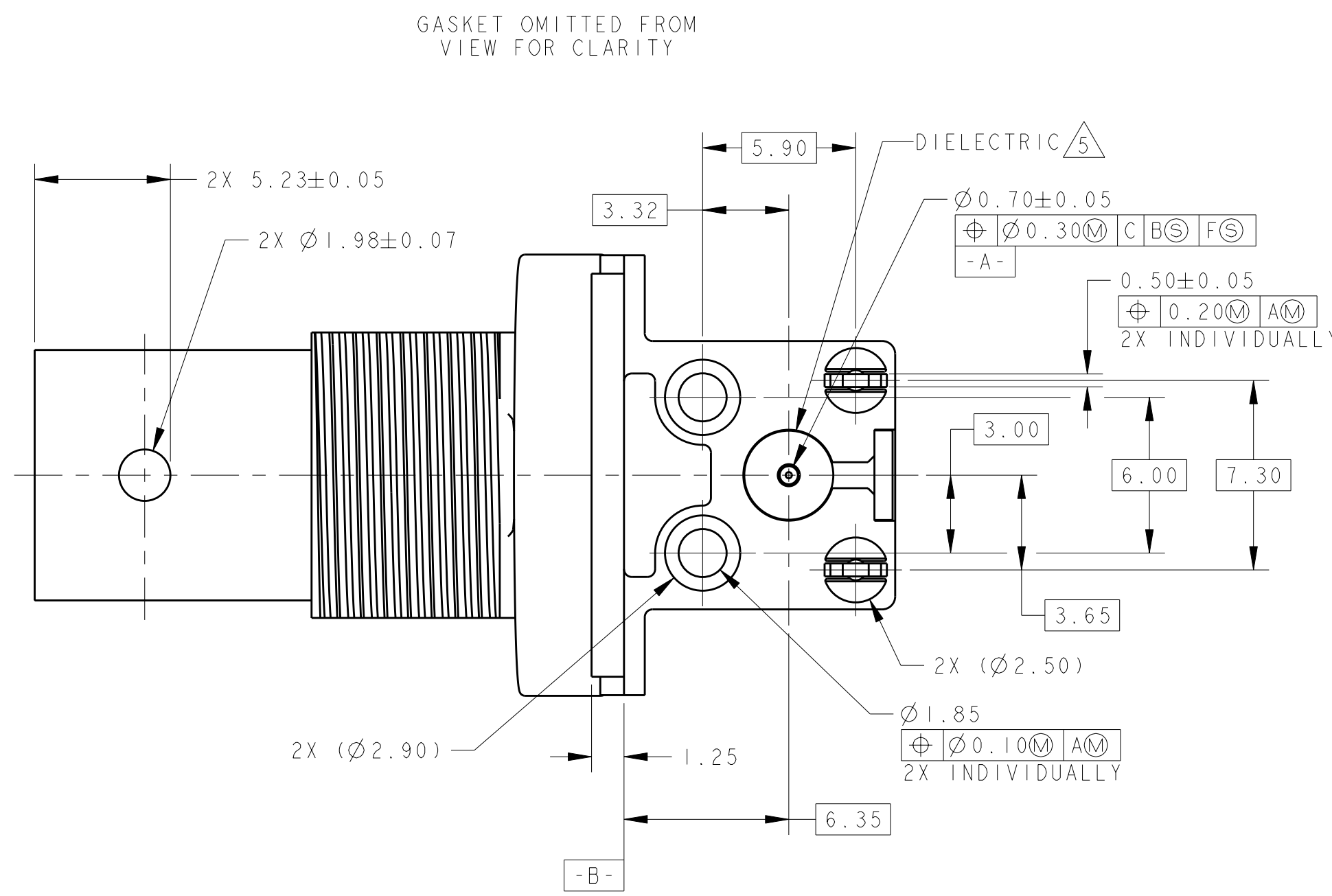
SCALE 2:1



RECOMMENDED PANEL CUT-OUT
SCALE 5:1

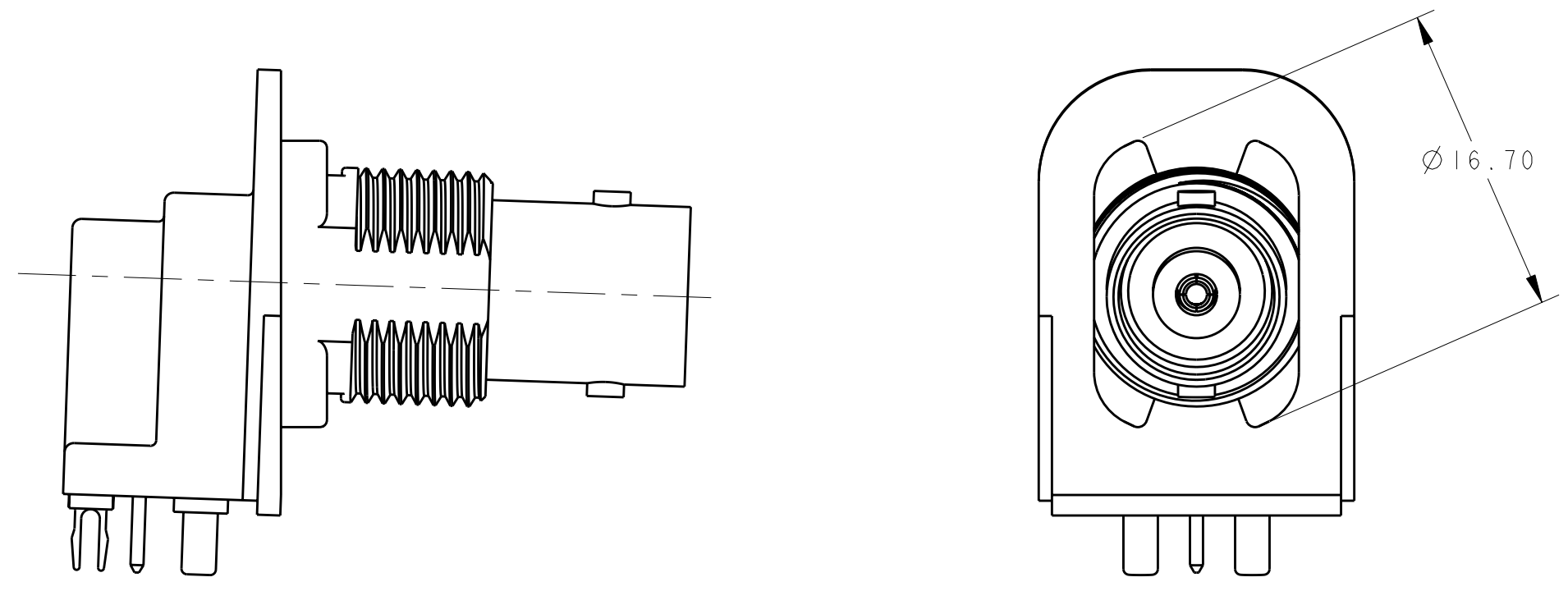


RECOMMENDED PCB LAYOUT
SCALE 5:1



GASKET OMITTED FROM VIEW FOR CLARITY

- 1 ZINC DIE CAST.
- 2 COPPER ALLOY.
- 3 BRASS OR ZINC DIE CAST.
- 4 BRASS.
- 5 PTFE.
- 6 SILICONE RUBBER.
- 7 TIN PLATE.
- 8 GOLD PLATE, 0.3µm MIN.
- 9 DIMENSIONS AND DATUMS ESTABLISHED BY CUSTOMER.
- 10 DIMENSION TAKEN AT INTERSECTION OF -C- AND -E-.
- 11 CONNECTOR DESIGNED TO ACCEPT A 1.42mm MIN THICK PRINTED CIRCUIT BOARD.
- 12 THIS PRODUCT SHALL MEET IP67 PROTECTION.
- 13 TO CENTER OF HOUSING ID.



VIEWS TILTED TO ORIENT THE 2° DRAFT VERTICALLY (GASKET OMITTED FROM VIEWS FOR CLARITY)
SCALE 3:1

2016166-1
PART NUMBER

THIS DRAWING IS A CONTROLLED DOCUMENT.		DWN: FOLTZ 30JUL2010 CHK: ORNER 30JUL2010 APVD: ORNER 30JUL2010	TE Connectivity
DIMENSIONS: mm 	TOLERANCES UNLESS OTHERWISE SPECIFIED: 9 PLC ± 5 PLC ±0.10 4 PLC ± ANGLES ±1°0'	NAME: ASSEMBLY, JACK, RIGHT ANGLE, PCB, BNC PRODUCT SPEC: 108-2440 APPLICATION SPEC:	
MATERIAL: SEE NOTES	FINISH: SEE NOTES	WEIGHT: - CUSTOMER DRAWING	SIZE: A100779 CAGE CODE: C=2016166 DRAWING NO: 2016166-1 SHEET 1 OF 1 REV D1