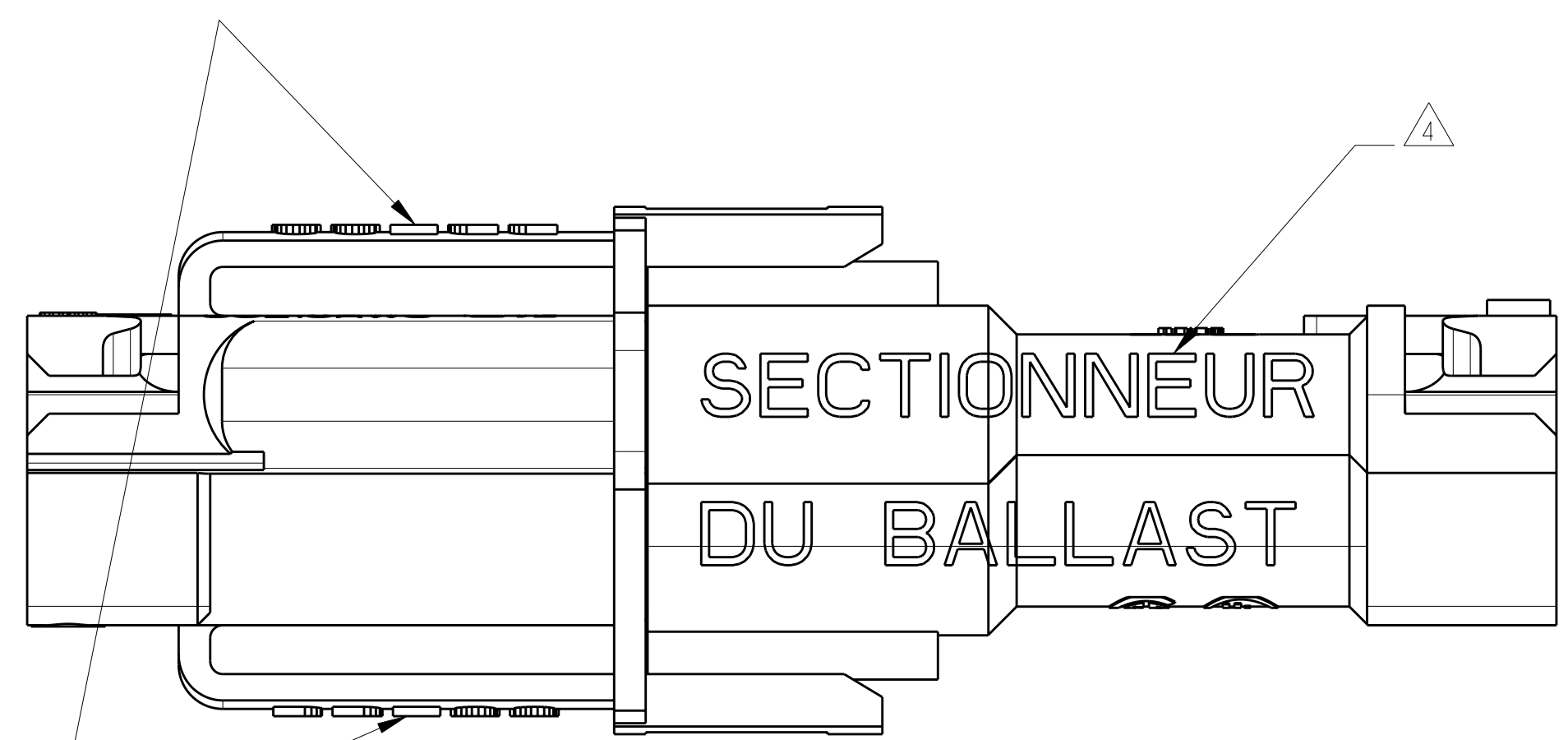
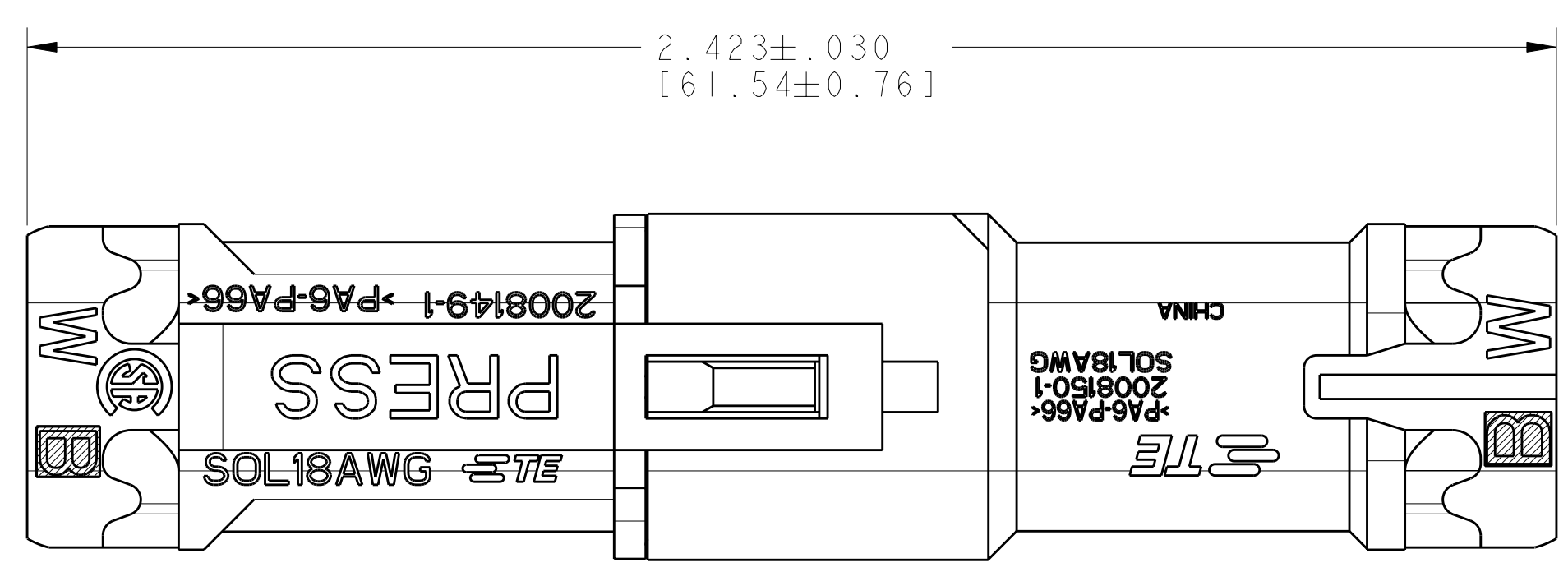
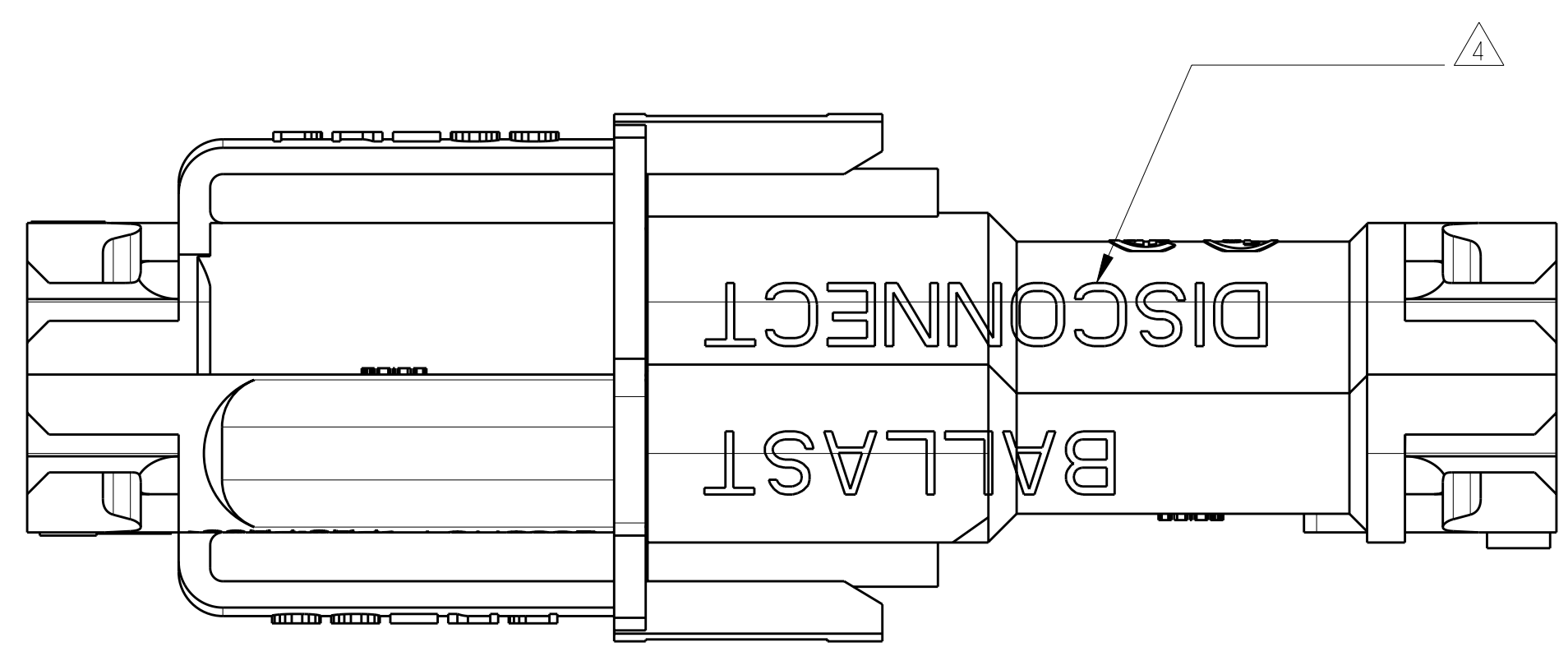
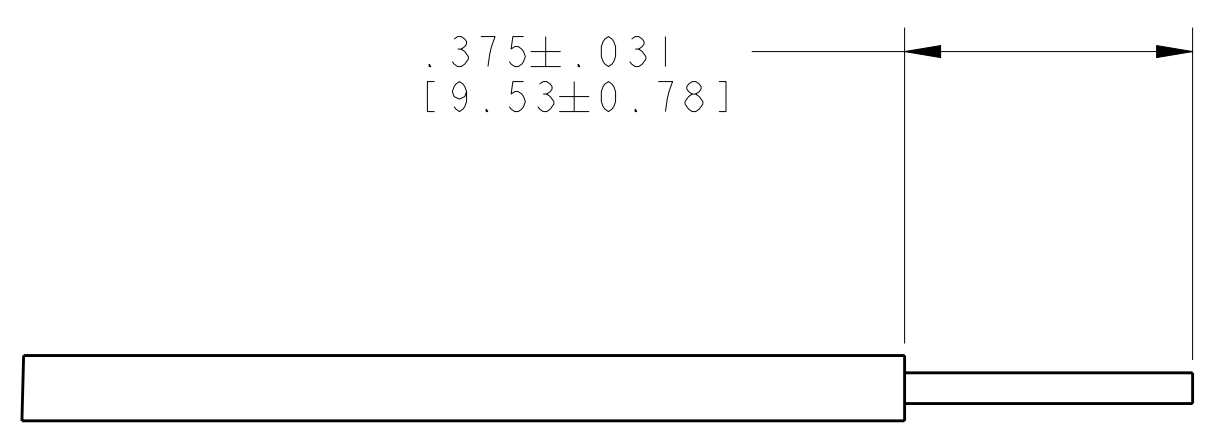


LOC	DIST	REV	DATE	BY	APPD
		B2	27FEB2009	HMR	DD
		B3	18DEC2011	HVG	DD



PRESS TO RELEASE



RECOMMENDED WIRE STRIP

△ MATERIAL:
 HOUSINGS: POLYAMIDE, COLOR: NATURAL
 CONTACTS: PHOSPHOR BRONZE
 INK: BLACK

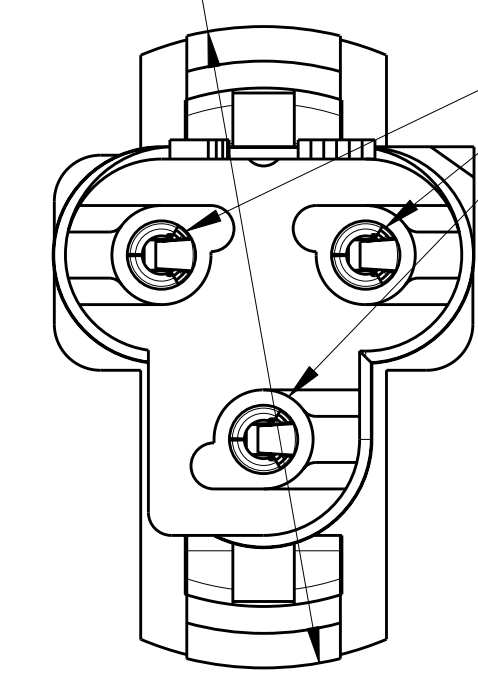
△ FINISH:
 CONTACTS: TIN PLATED

3. SEE INSTRUCTION SHEET 408-10154

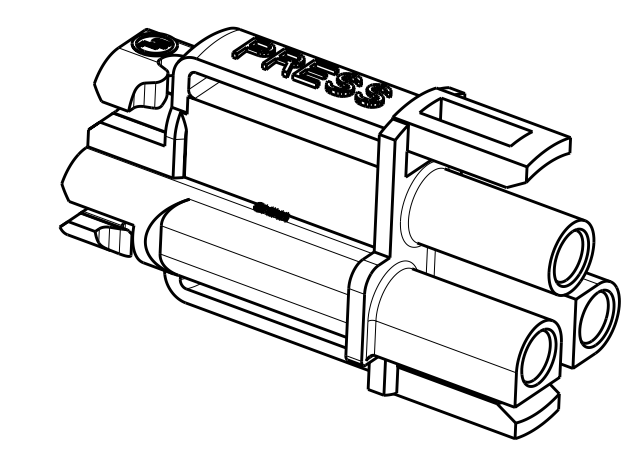
△ SIDES MAY BE REVERSED

△ MATERIAL:
 HOUSING: POLYAMIDE, COLOR: ORANGE,
 CONTACT: PHOS BRONZE
 INK: BLACK

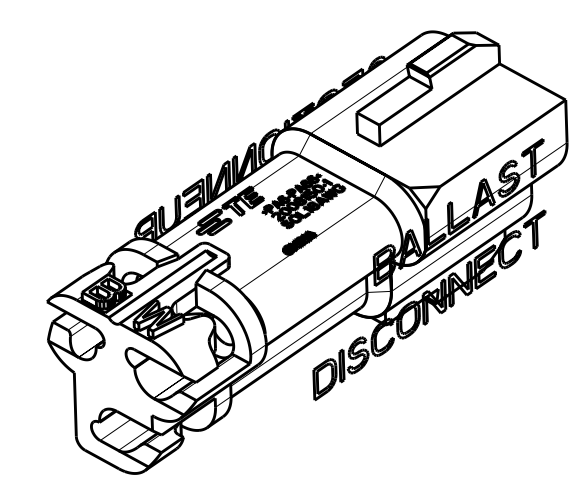
∅.835 ± 0.010
 [21.21 ± 0.25]



ACCEPTS 18 AWG SOLID WIRE
 WITH .086 [2.18] MAX INSULATION DIAMETER
 BOTH CONNECTORS



PLUG CONNECTOR ASSEMBLY



RECEPTACLE CONNECTOR ASSEMBLY

△	2008152-2
△	2008152-1
MATERIAL	PART NUMBER

THIS DRAWING IS A CONTROLLED DOCUMENT.		OWN: C. DAILY 23APR2007	NAME: ASSEMBLY, MATED PAIR, 3 POSITION PLUG AND RECEPTACLE PT, LIGHT-N-LOK	
DIMENSIONS: IN		CHK: J. LANDIS 23APR2007	RESTRICTED TO: A100779C=2008152	
TOLERANCES UNLESS OTHERWISE SPECIFIED:		APVD: -	SCALE: 2:1 SHEET 1 OF 1 REV: B3	
0 PLC	±	PRODUCT SPEC	CUSTOMER DRAWING	
1 PLC	±	108-2275		
2 PLC	±	APPLICATION SPEC		
3 PLC	±	114-13207		
4 PLC	±	WEIGHT		
ANGLES	±	FINISH		