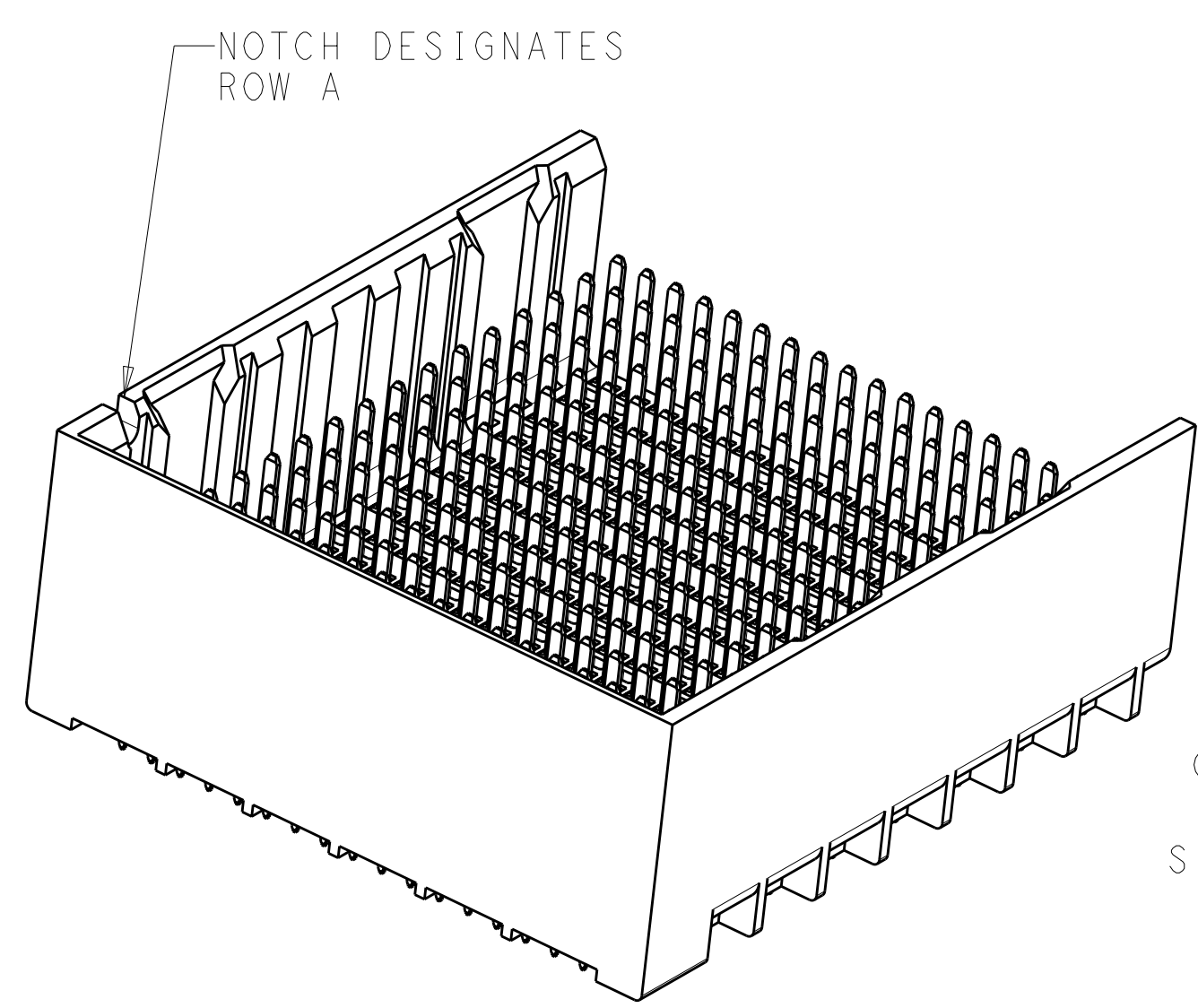
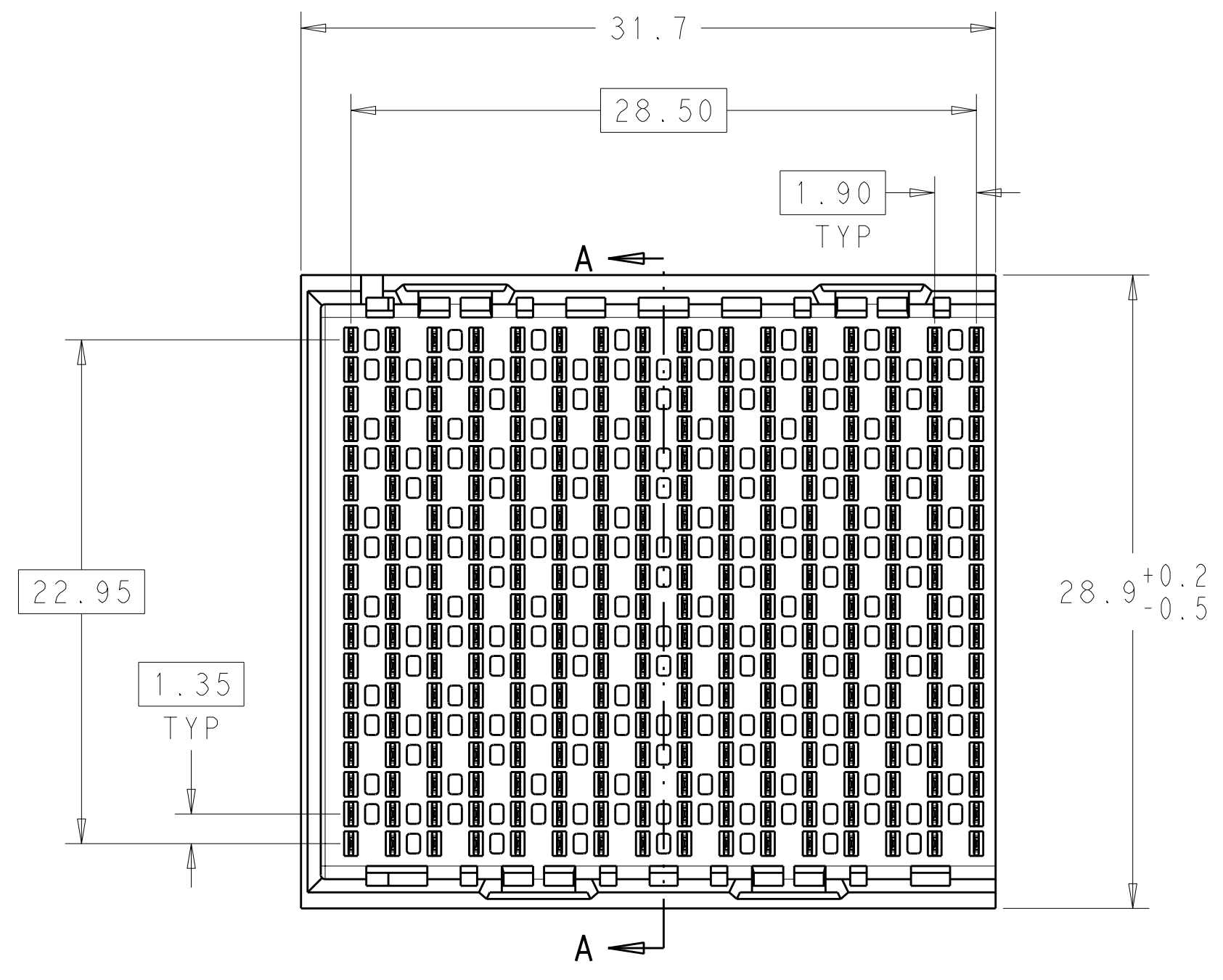
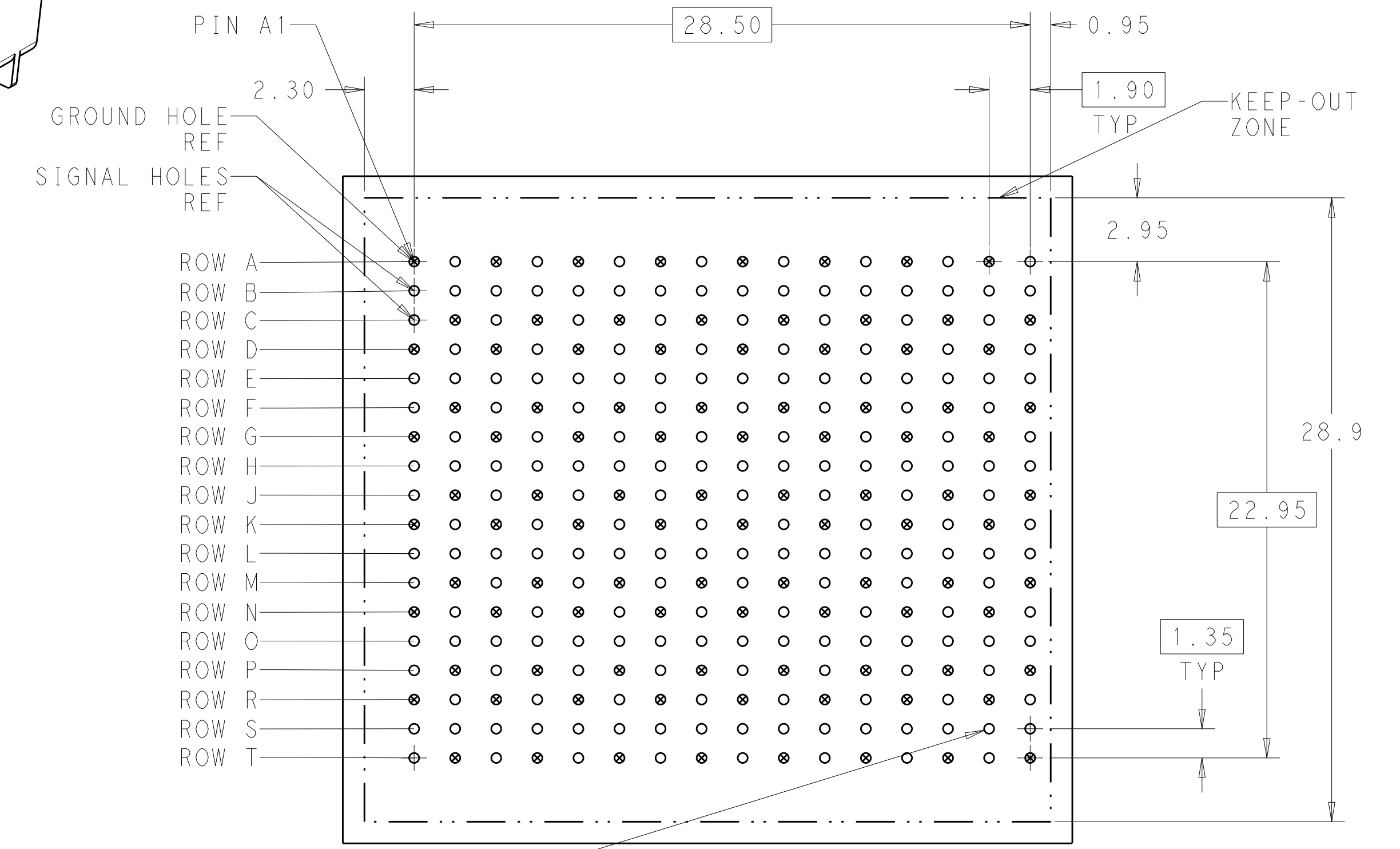


LOC		DIST		REVISIONS			
AD	00	P	LTR	DESCRIPTION	DATE	DWN	APVD
		A		CREATED BY AUTOMATION PROGRAM	02MAY2011	RKC	JE

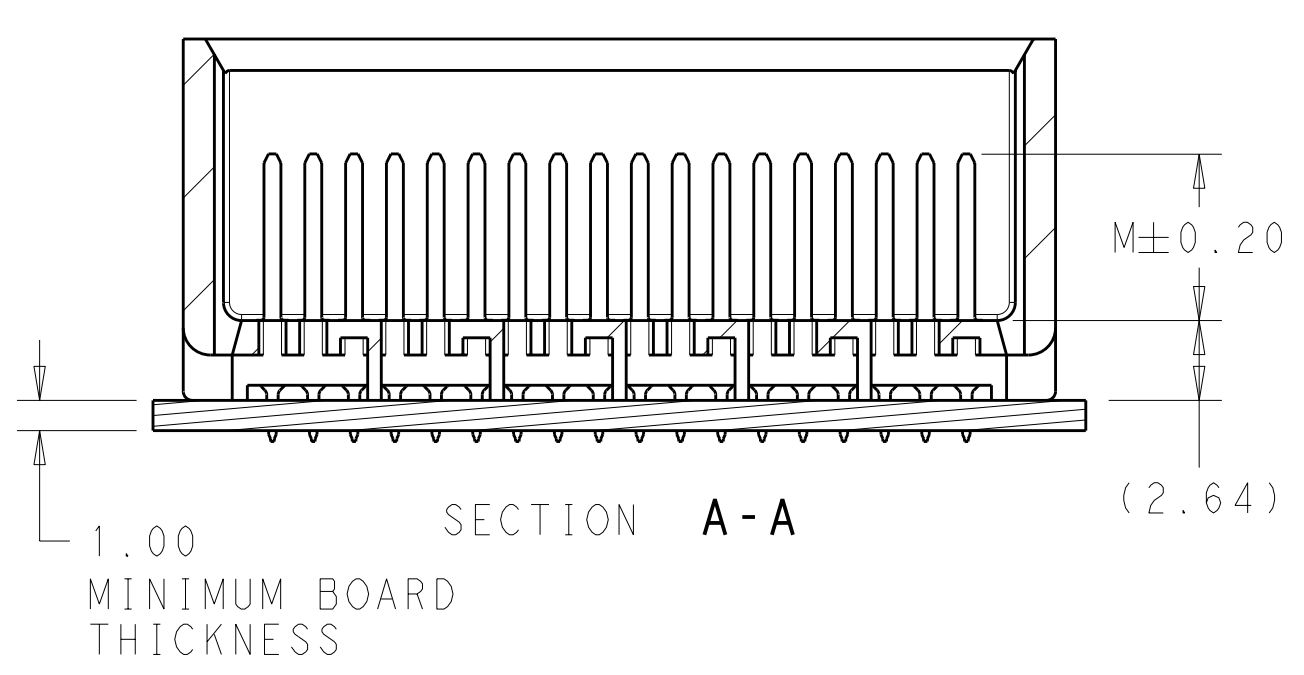
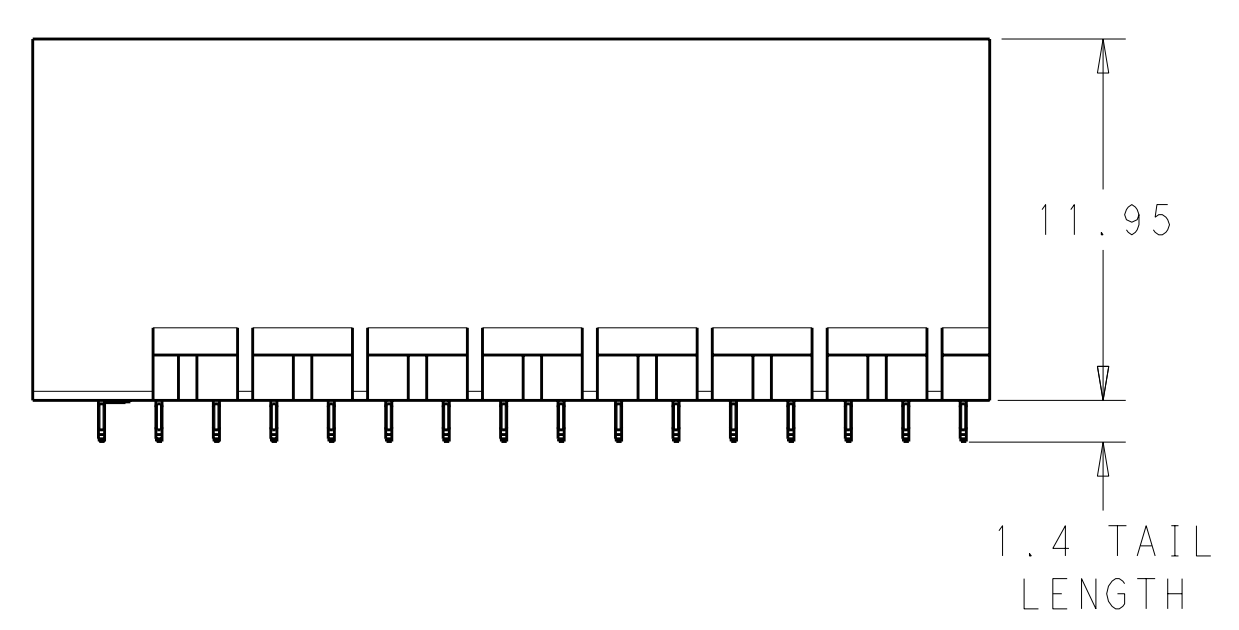


- 1 MATERIAL:
HOUSING: LCP, GLASS FILLED, UL94V-0.
TERMINALS: HIGH PERFORMANCE COPPER ALLOY.
- 2 FINISH:
30µ" MIN GOLD IN CONTACT AREA. SELECTIVE TIN ON PCB TAILS, NICKEL OVERALL.
- 3 FINISH:
30µ" MIN GOLD IN CONTACT AREA. SELECTIVE TIN-LEAD ON PCB TAILS, NICKEL OVERALL.



288X $\varnothing 0.46 \pm 0.05$
 $\varnothing 0.10$
 PLATED THRU HOLE

UNGUIDED
 BACKPLANE HOLE PATTERN
 (CONNECTOR SIDE)



THIS DRAWING IS A CONTROLLED DOCUMENT.		DWN R. COELLO 02MAY2011	STE TE Connectivity
DIMENSIONS: mm		CHK J. EABY 02MAY2011	
TOLERANCES UNLESS OTHERWISE SPECIFIED:		APVD J. EABY 02MAY2011	
0 PLC ± 1 PLC ±0.25 2 PLC ±0.13 3 PLC ± 4 PLC ± ANGLES ± FINISH SEE TABLE		NAME: IMPACT, 6 PAIR, 16 COLUMN, HEADER UNGUIDED, LEFT END WALL SIGNAL MODULE, 0.46 PTH	
MATERIAL	FINISH	WEIGHT	SIZE: CAGE CODE DRAWING NO. RESTRICTED TO: A100779C=2007897
CUSTOMER DRAWING		SCALE: 4:1	SHEET 1 OF 2 REV A

THIS DRAWING IS UNPUBLISHED. RELEASED FOR PUBLICATION 20
 BY: ALL RIGHTS RESERVED.

LOC	DIST	REVISIONS			
		REV	DATE	BY	APPD
AD	00	-	-	-	-
		-	-	-	-
		-	-	-	-
		-	-	-	-

FINISH	DIM M	PART NUMBER
\triangle_3	5.5	2007897-6
\triangle_3	4.9	2007897-5
\triangle_3	4.5	2007897-4
\triangle_2	5.5	2007897-3
\triangle_2	4.9	2007897-2
\triangle_2	4.5	2007897-1

REFER TO WWW.TE.COM
 FOR PRODUCT AVAILABILITY

THIS DRAWING IS A CONTROLLED DOCUMENT.		DWN R. COELLO 02MAY2011	STE TE Connectivity														
DIMENSIONS: mm		CHK J. EABY 02MAY2011															
TOLERANCES UNLESS OTHERWISE SPECIFIED:		APVD J. EABY 02MAY2011	NAME IMPACT, 6 PAIR, 16 COLUMN, HEADER UNGUIDED, LEFT END WALL SIGNAL MODULE, 0.46 PTH														
<table border="1"> <tr><td>9 PLC</td><td>±</td></tr> <tr><td>7 PLC</td><td>±0.25</td></tr> <tr><td>5 PLC</td><td>±0.13</td></tr> <tr><td>3 PLC</td><td>±</td></tr> <tr><td>4 PLC</td><td>±</td></tr> <tr><td>ANGLES</td><td>±</td></tr> <tr><td>FINISH</td><td>±</td></tr> </table>		9 PLC	±	7 PLC	±0.25	5 PLC	±0.13	3 PLC	±	4 PLC	±	ANGLES	±	FINISH	±	PRODUCT SPEC	SIZE CAGE CODE DRAWING NO RESTRICTED TO
9 PLC	±																
7 PLC	±0.25																
5 PLC	±0.13																
3 PLC	±																
4 PLC	±																
ANGLES	±																
FINISH	±																
MATERIAL -		APPLICATION SPEC	A100779C=2007897														
WEIGHT -		CUSTOMER DRAWING	SCALE 5:1 SHEET 2 OF 2 REV A														