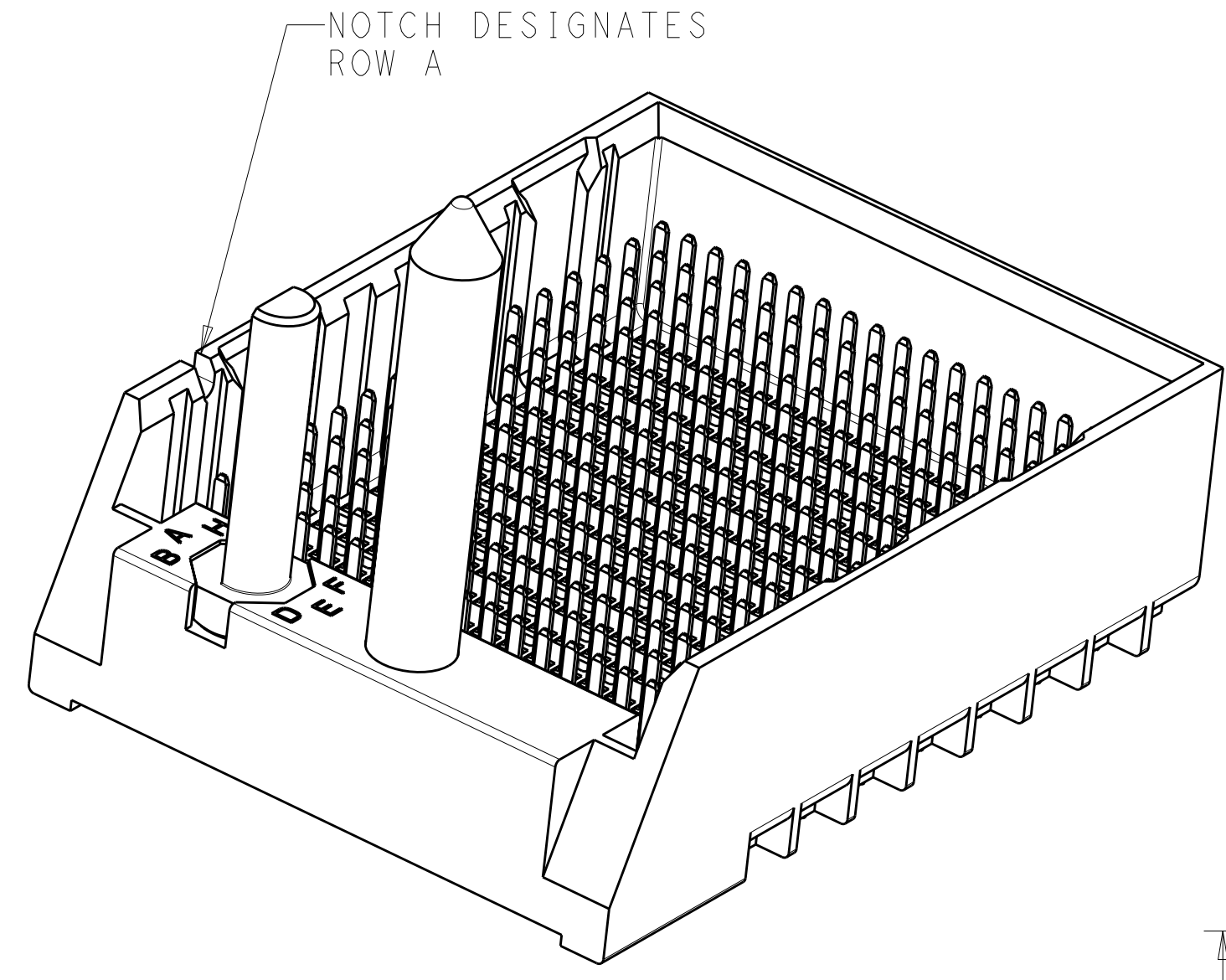
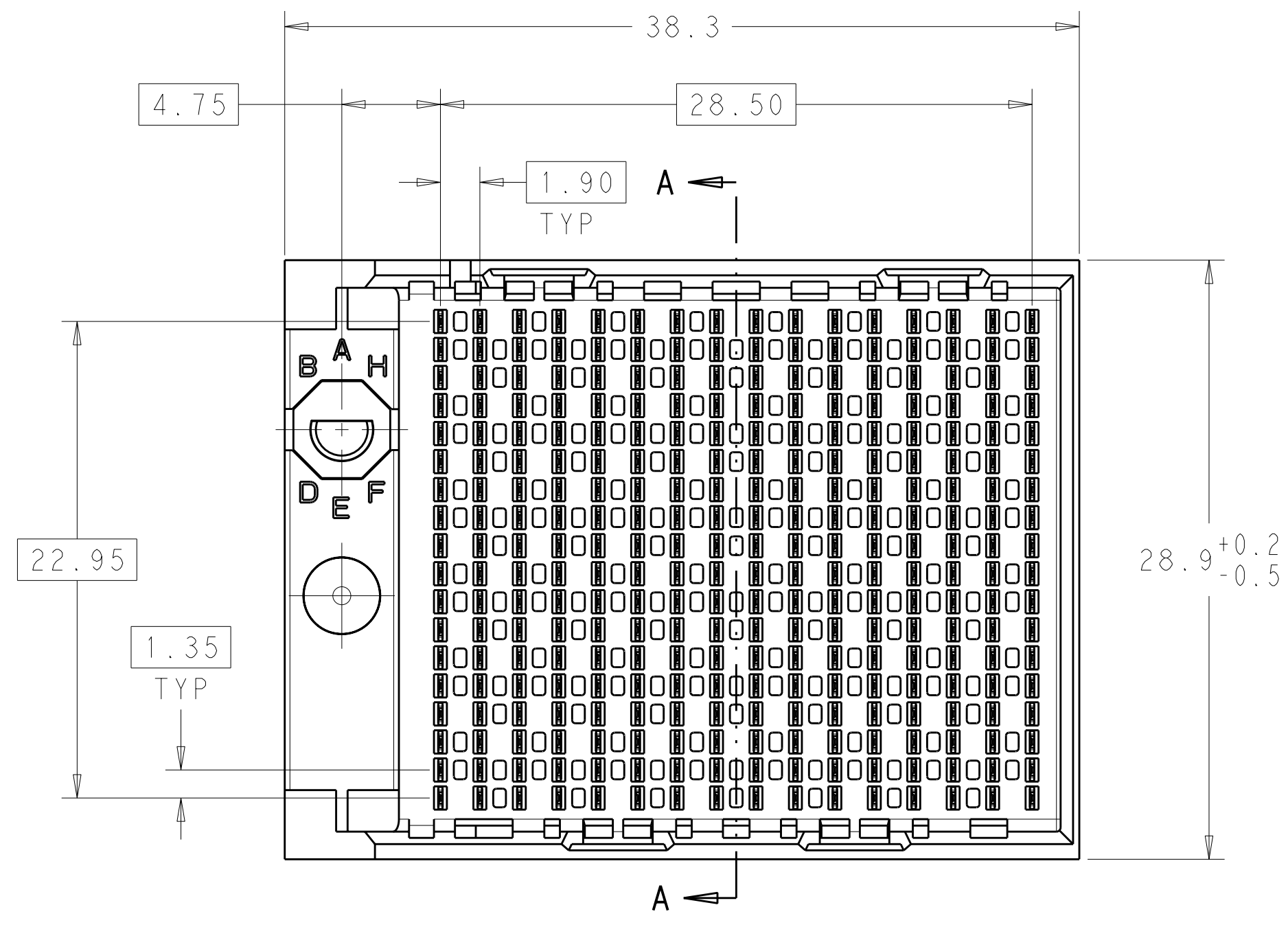
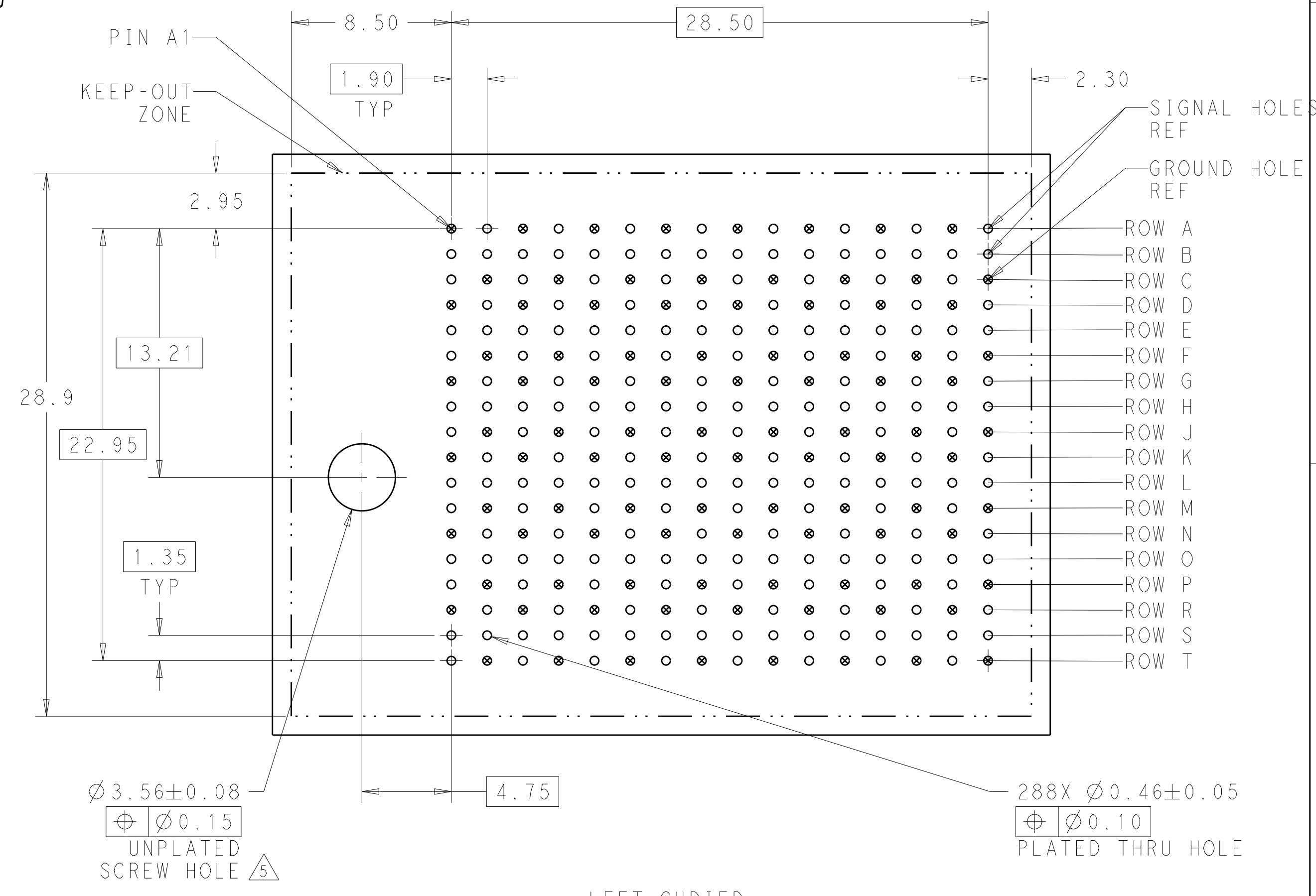


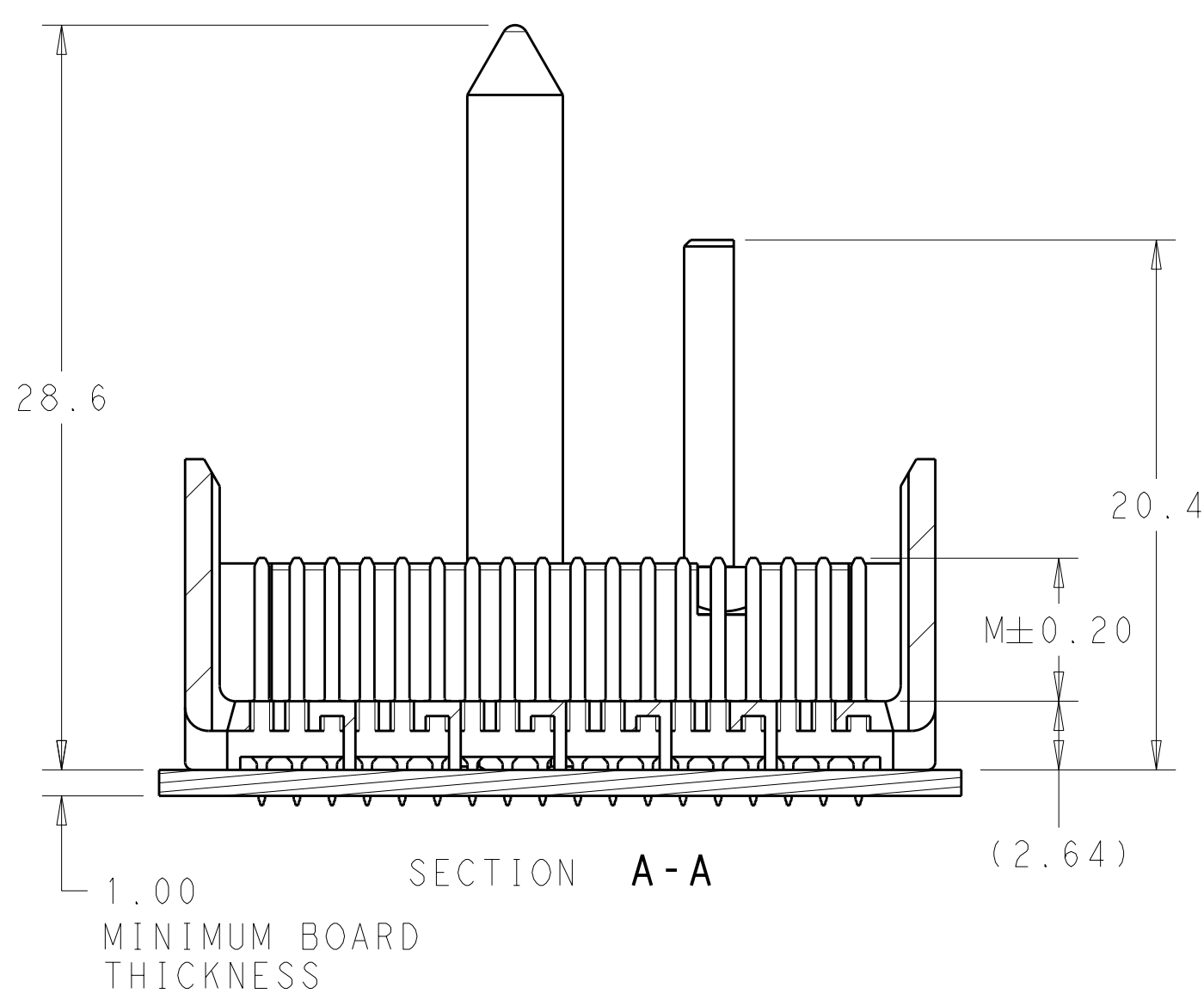
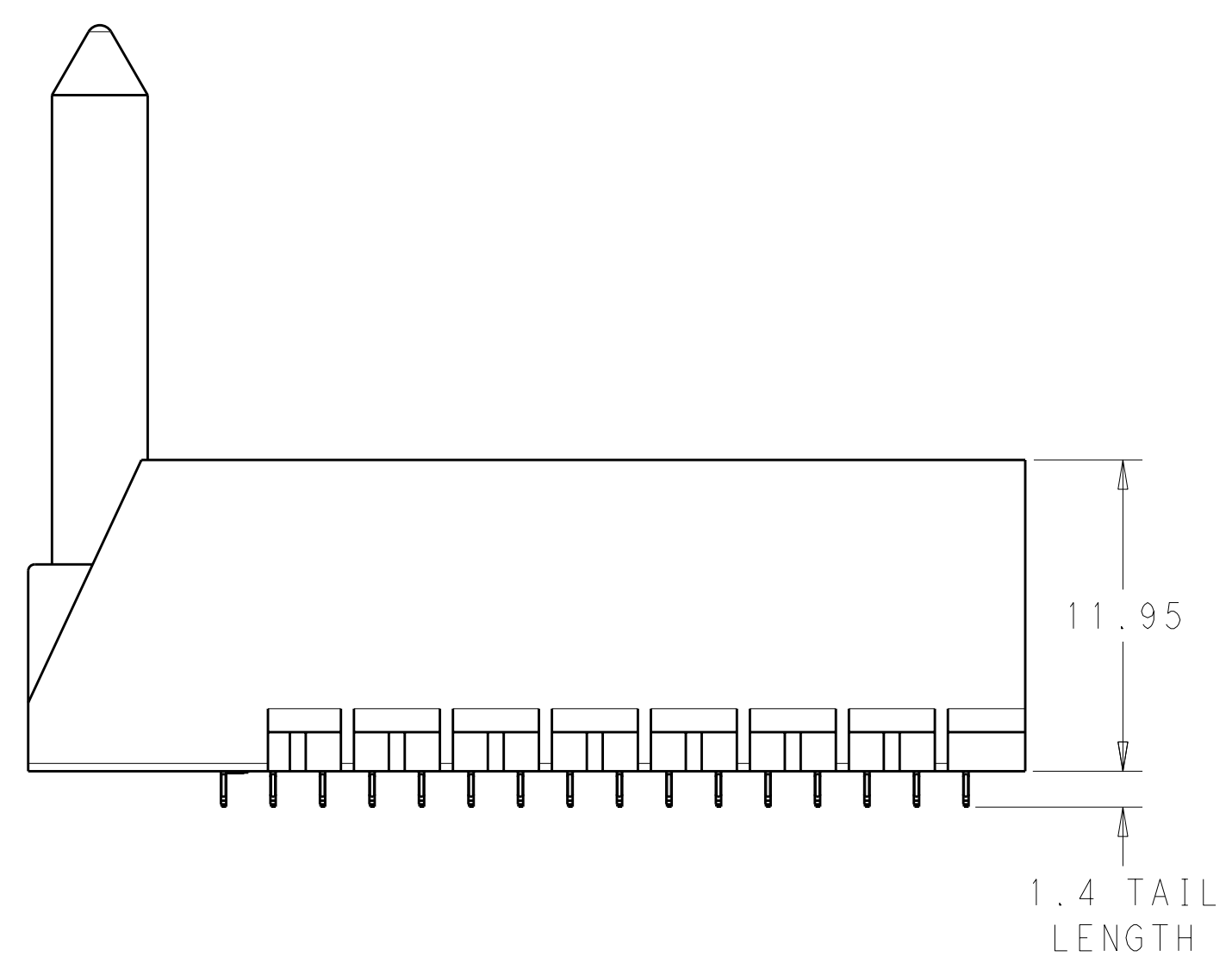
LOC	DIST	REV	DATE	BY	APPD	
AD	00	A	03MAY2011	RKC	JE	
REVISIONS			DESCRIPTION	DATE	DWN	APPD
A			CREATED BY AUTOMATION PROGRAM	03MAY2011	RKC	JE



- 1 MATERIAL:  
HOUSING: LCP, GLASS FILLED, UL94V-0.  
TERMINALS: HIGH PERFORMANCE COPPER ALLOY.
- 2 FINISH:  
30µ" MIN GOLD IN CONTACT AREA. SELECTIVE TIN ON PCB TAILS, NICKEL OVERALL.
- 3 FINISH:  
30µ" MIN GOLD IN CONTACT AREA. SELECTIVE TIN-LEAD ON PCB TAILS, NICKEL OVERALL.
- 4. SCREWS PACKAGED IN END OF PACKAGING TUBE.
- 5 FOR GROUNDED GUIDE PIN USE Ø3.56±0.08 PTH, Ø3.66 DRILL, AND Ø6.5 PAD.
- 6. KEYING PIN SHOWN IN POSITION A. SEE KEYING CHART ON SHEET 2 FOR OTHER POSITIONS.



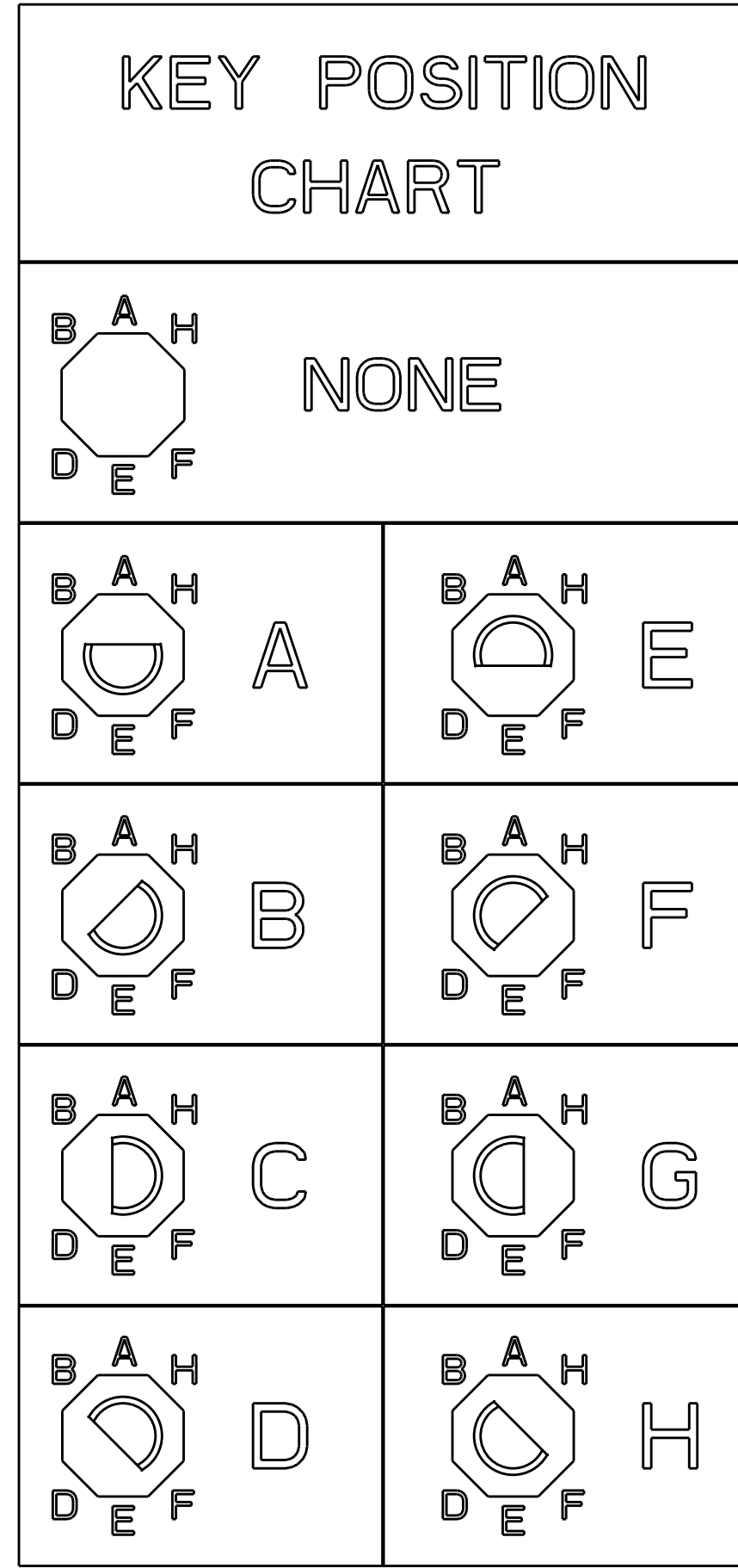
LEFT GUIDED BACKPLANE HOLE PATTERN (CONNECTOR SIDE)



THIS DRAWING IS A CONTROLLED DOCUMENT.		DWN: R. COELLO 02MAY2011	TE Connectivity
DIMENSIONS: mm		CHK: J. EARY 02MAY2011	
TOLERANCES UNLESS OTHERWISE SPECIFIED:		APVD: J. EARY 02MAY2011	
9 PLC ± 1 PLC ±0.25 3 PLC ±0.13 5 PLC ± 4 PLC ± ANGLES ±		NAME: IMPACT, 6 PAIR, 16 COLUMN, HEADER LEFT GUIDED, RIGHT END WALL SIGNAL MODULE, 0.46 PTH	
MATERIAL: SEE TABLE		PRODUCT SPEC:	SIZE: CAGE CODE: DRAWING NO: A100779C=2007890
FINISH: SEE TABLE		APPLICATION SPEC:	RESTRICTED TO:
WEIGHT:		CUSTOMER DRAWING	SCALE: 4:1 SHEET 1 OF 2 REV A

LOC		DIST		REVISIONS			
AD	00	P	LTB	DESCRIPTION	DATE	DWN	APVD
		-	-	SEE SHEET 1	-	-	-

3	H	5.5	8-2007890-6
3	H	4.9	8-2007890-5
3	H	4.5	8-2007890-4
2	H	5.5	8-2007890-3
2	H	4.9	8-2007890-2
2	H	4.5	8-2007890-1
3	G	5.5	7-2007890-6
3	G	4.9	7-2007890-5
3	G	4.5	7-2007890-4
2	G	5.5	7-2007890-3
2	G	4.9	7-2007890-2
2	G	4.5	7-2007890-1
3	F	5.5	6-2007890-6
3	F	4.9	6-2007890-5
3	F	4.5	6-2007890-4
2	F	5.5	6-2007890-3
2	F	4.9	6-2007890-2
2	F	4.5	6-2007890-1
3	E	5.5	5-2007890-6
3	E	4.9	5-2007890-5
3	E	4.5	5-2007890-4
2	E	5.5	5-2007890-3
2	E	4.9	5-2007890-2
2	E	4.5	5-2007890-1
3	D	5.5	4-2007890-6
3	D	4.9	4-2007890-5
3	D	4.5	4-2007890-4
2	D	5.5	4-2007890-3
2	D	4.9	4-2007890-2
2	D	4.5	4-2007890-1
3	C	5.5	3-2007890-6
3	C	4.9	3-2007890-5
3	C	4.5	3-2007890-4
2	C	5.5	3-2007890-3
2	C	4.9	3-2007890-2
2	C	4.5	3-2007890-1
3	B	5.5	2-2007890-6
3	B	4.9	2-2007890-5
3	B	4.5	2-2007890-4
2	B	5.5	2-2007890-3
2	B	4.9	2-2007890-2
2	B	4.5	2-2007890-1
3	A	5.5	1-2007890-6
3	A	4.9	1-2007890-5
3	A	4.5	1-2007890-4
2	A	5.5	1-2007890-3
2	A	4.9	1-2007890-2
2	A	4.5	1-2007890-1
3	-	5.5	2007890-6
3	-	4.9	2007890-5
3	-	4.5	2007890-4
2	-	5.5	2007890-3
2	-	4.9	2007890-2
2	-	4.5	2007890-1
FINISH	KEY POSITION	DIM M	PART NUMBER



REFER TO WWW.TE.COM  
FOR PRODUCT AVAILABILITY

THIS DRAWING IS A CONTROLLED DOCUMENT.		DWN R. COELLO 02MAY2011		<b>STE</b> TE Connectivity	
DIMENSIONS: mm		CHK J. EABY 02MAY2011		NAME IMPACT, 6 PAIR, 16 COLUMN, HEADER LEFT GUIDED, RIGHT END WALL SIGNAL MODULE, 0.46 PTH	
TOLERANCES UNLESS OTHERWISE SPECIFIED:		APVD J. EABY 02MAY2011		PRODUCT SPEC	
9 PLC ±		APPLICATION SPEC		SIZE CAGE CODE DRAWING NO RESTRICTED TO	
3 PLC ±0.25		WEIGHT		A100779C=2007890	
5 PLC ±0.13		FINISH		SCALE 5:1 SHEET 2 OF 2 REV A	
4 PLC ±		SEE TABLE		CUSTOMER DRAWING	
ANGLES ±					