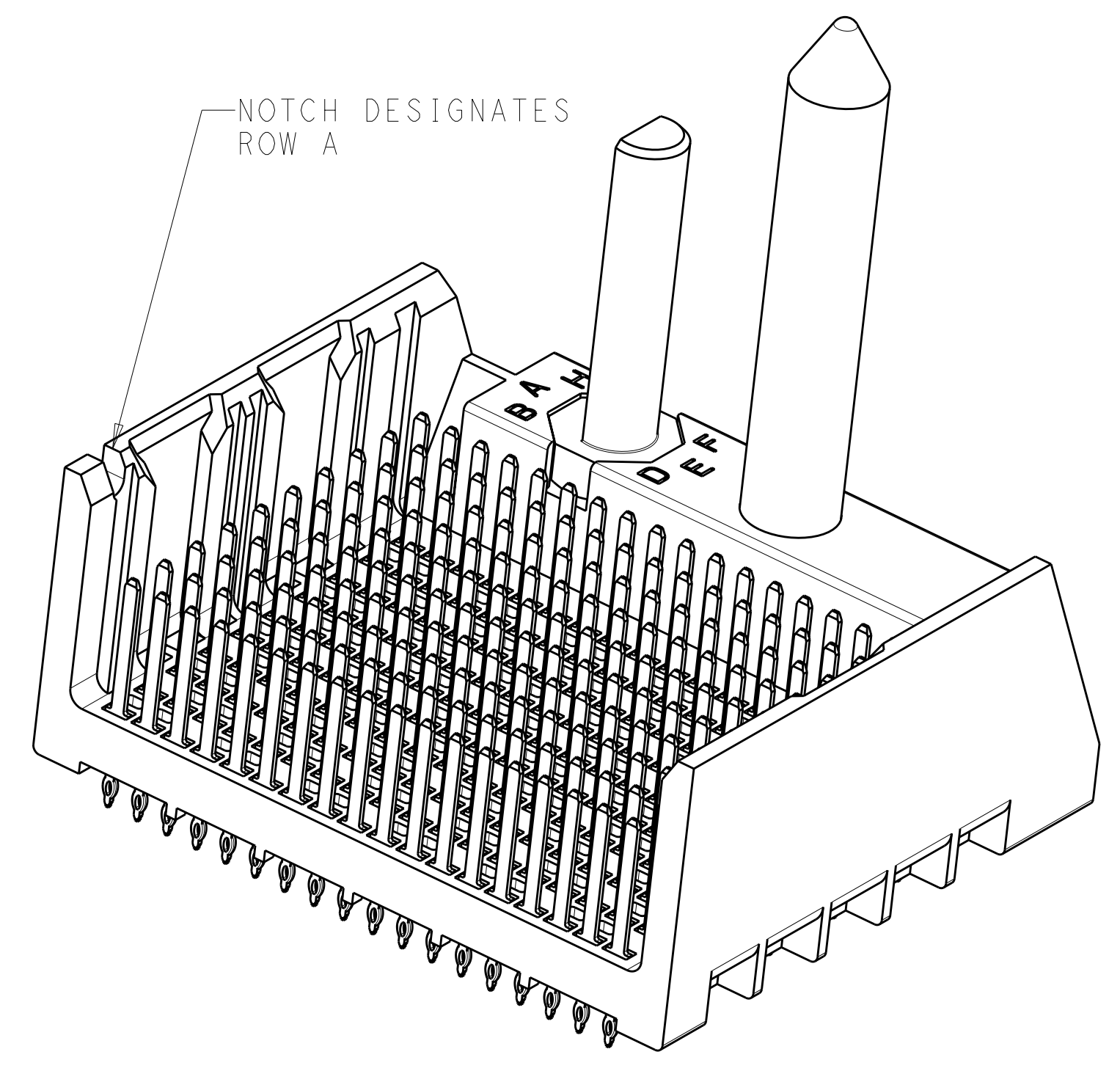
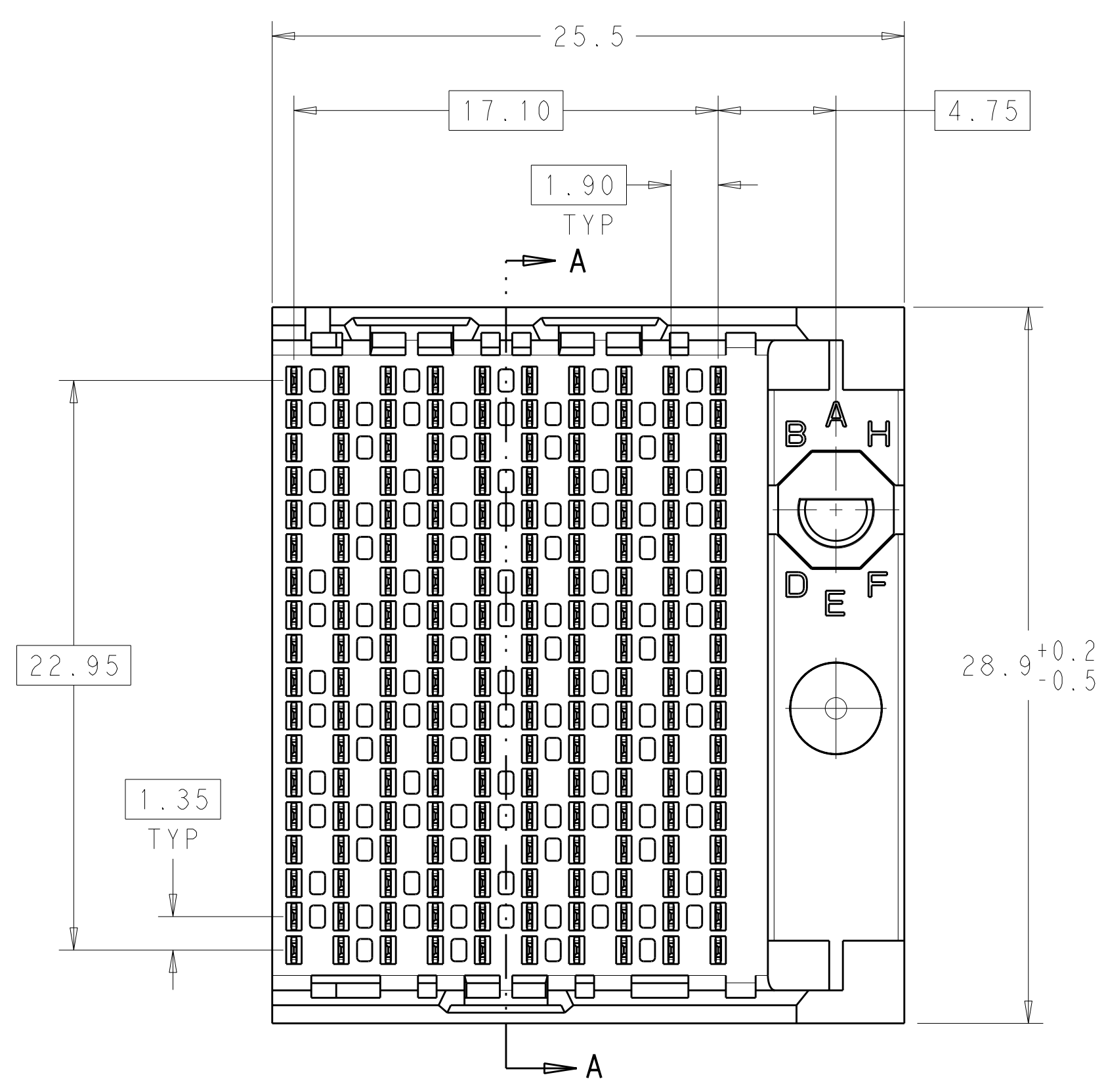
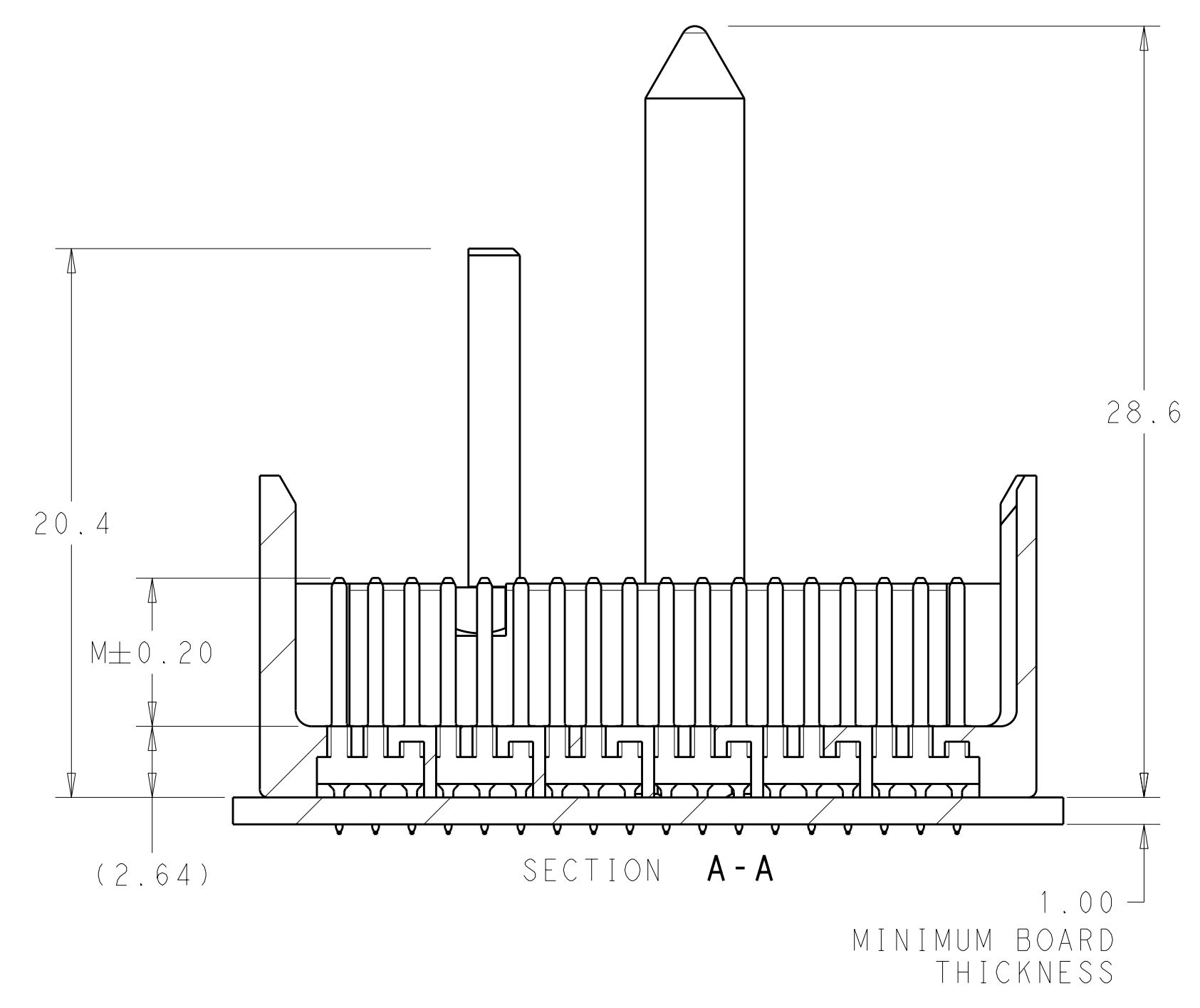
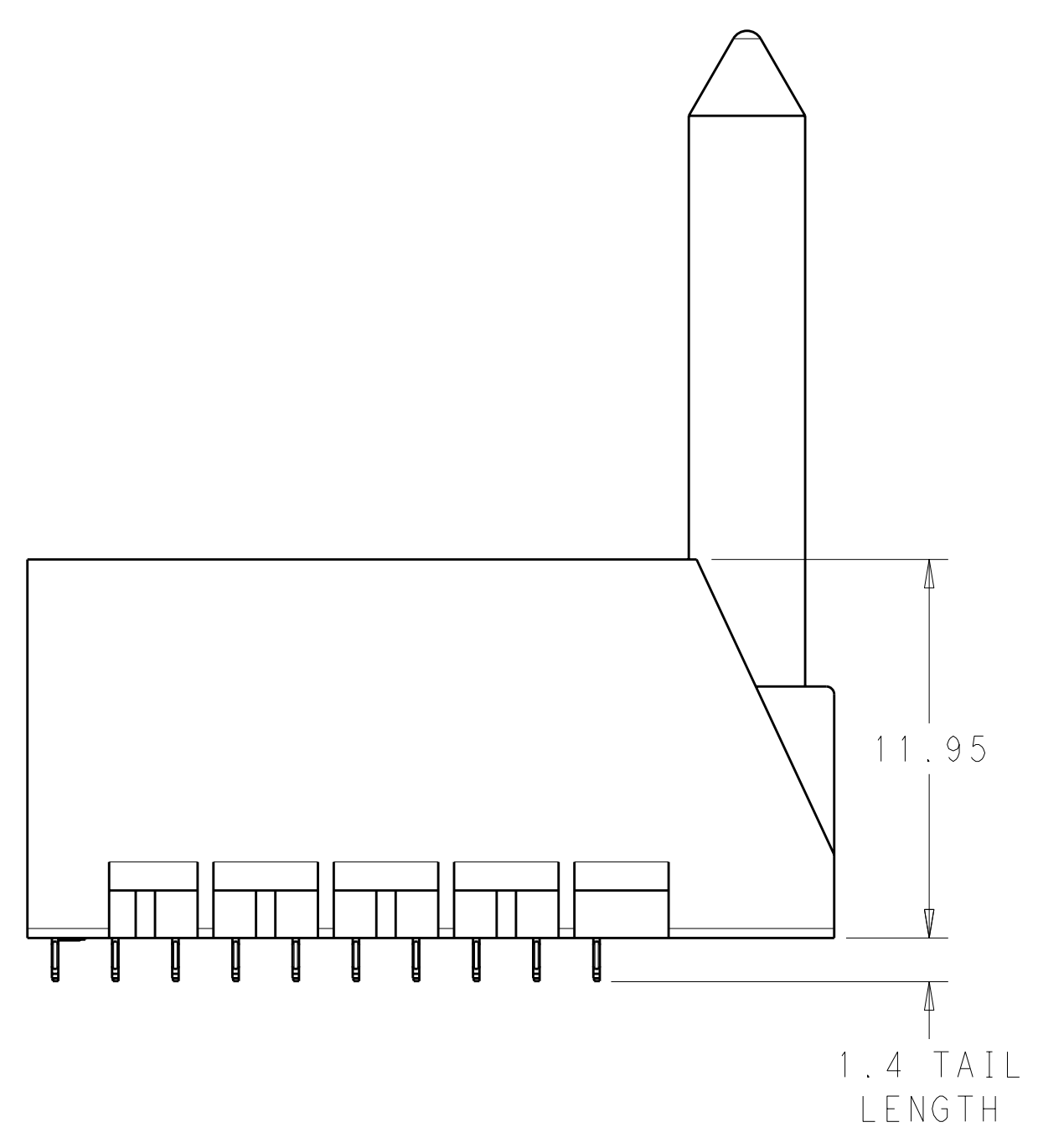
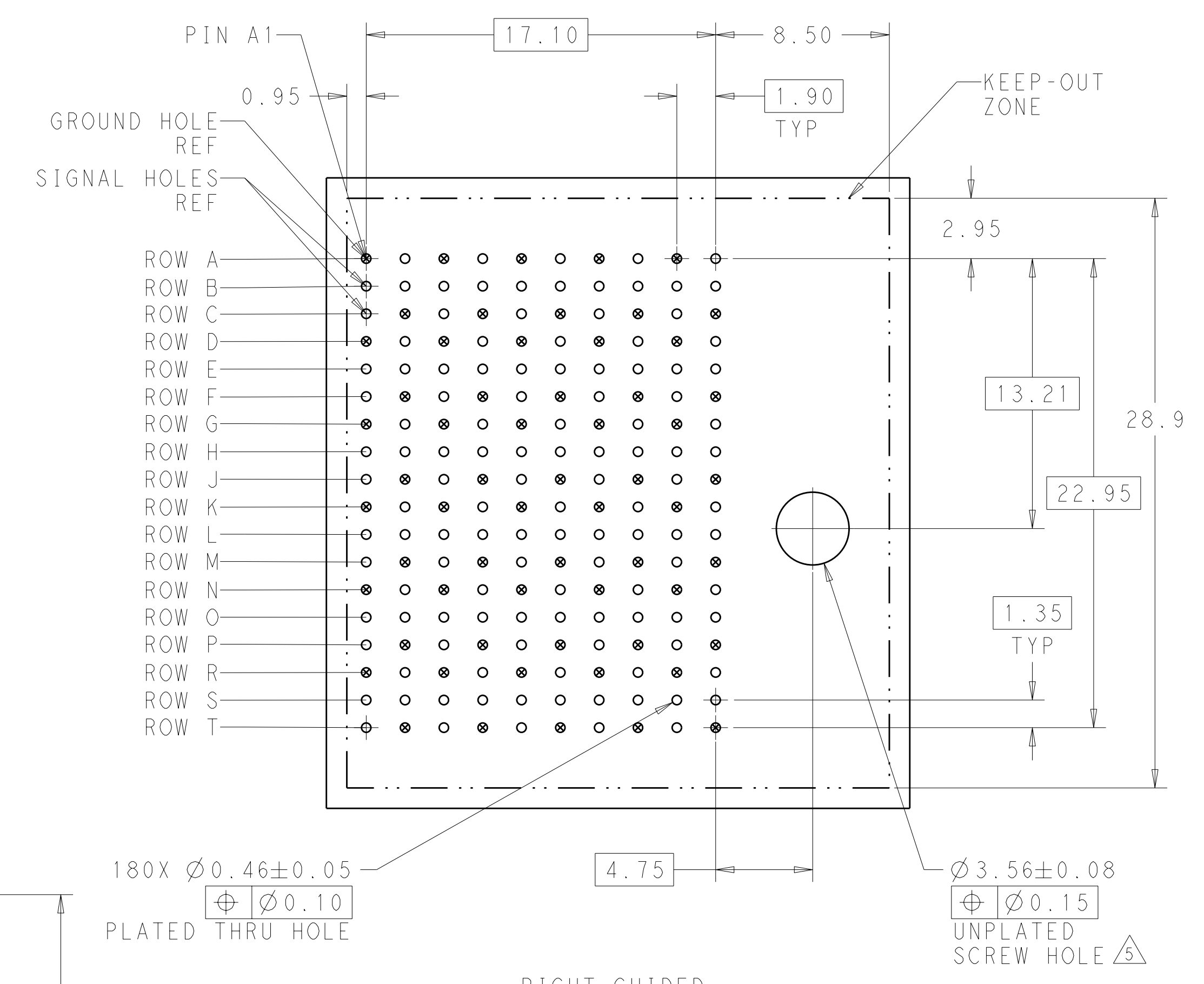


LOC	DIST	REV	DATE	BY	APPD
AD	00	A	02MAY2011	RKC	JE



- 1 MATERIAL:
HOUSING: LCP, GLASS FILLED, UL94V-0.
TERMINALS: HIGH PERFORMANCE COPPER ALLOY.
- 2 FINISH:
30µ" MIN GOLD IN CONTACT AREA. SELECTIVE TIN
ON PCB TAILS, NICKEL OVERALL.
- 3 FINISH:
30µ" MIN GOLD IN CONTACT AREA. SELECTIVE TIN-LEAD
ON PCB TAILS, NICKEL OVERALL.
- 4. SCREWS PACKAGED IN END OF PACKAGING TUBE.
- 5 FOR GROUNDED GUIDE PIN USE Ø3.56±0.08 PTH,
Ø3.66 DRILL, AND Ø6.5 PAD.
- 6. KEYING PIN SHOWN IN POSITION A. SEE KEYING CHART
ON SHEET 2 FOR OTHER POSITIONS.

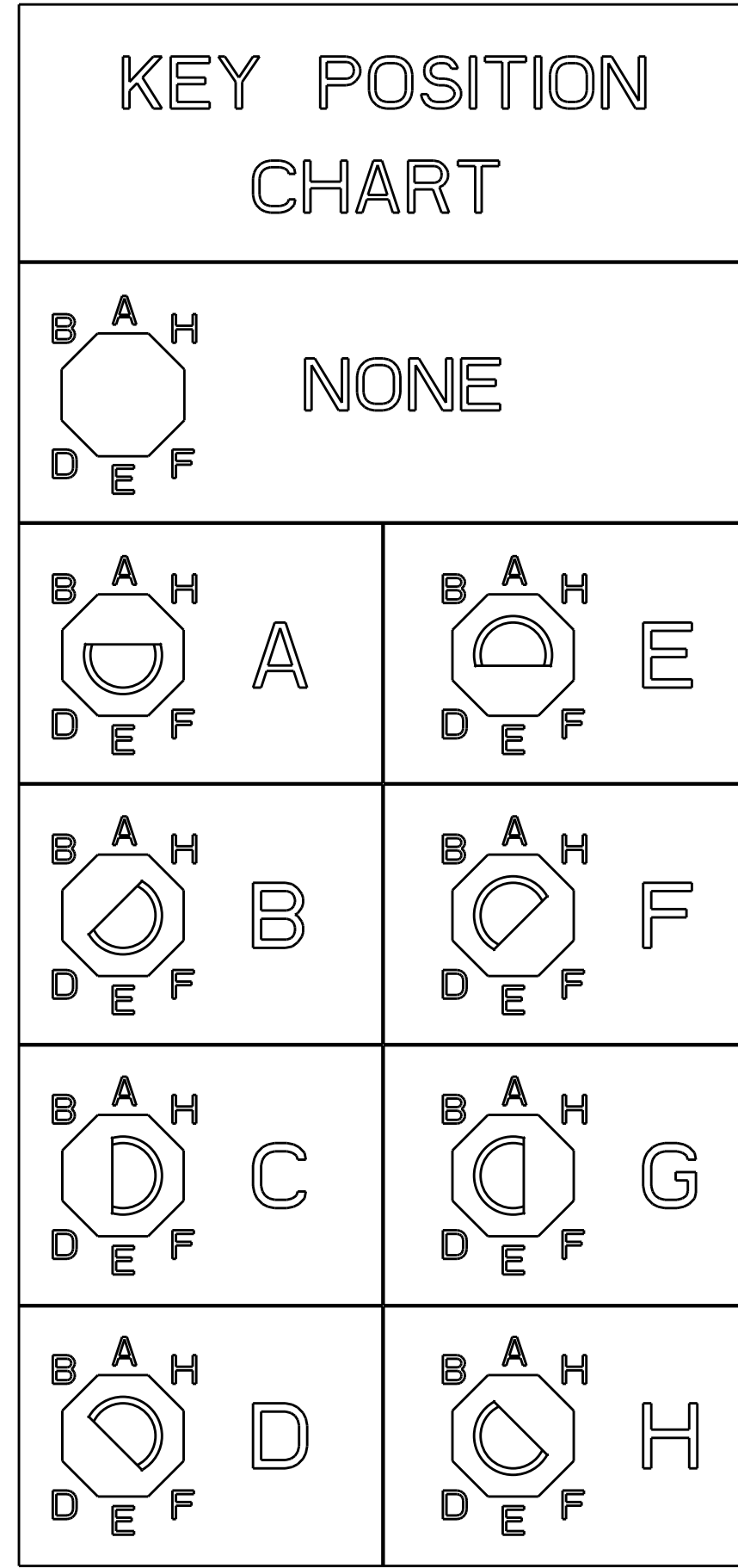


THIS DRAWING IS A CONTROLLED DOCUMENT.		DWN R. COELLO 02MAY2011	TE Connectivity
DIMENSIONS: mm		CHK J. EARY 02MAY2011	
TOLERANCES UNLESS OTHERWISE SPECIFIED:		APVD J. EARY 02MAY2011	
0 PLC ± 1 PLC ±0.25 2 PLC ±0.13 3 PLC ± 4 PLC ± ANGLES ± FINISH SEE TABLE		NAME IMPACT, 6 PAIR, 10 COLUMN, HEADER RIGHT GUIDED, OPEN END WALL SIGNAL MODULE, 0.46 PTH SIZE CAGE CODE DRAWING NO. RESTRICTED TO A1100779C=2007876 WEIGHT - CUSTOMER DRAWING	
SCALE 5:1		SHEET 1 OF 2	REV A

REVISIONS			
LOC	DIST	DATE	DESCRIPTION
AD	00		SEE SHEET 1

3	H	5.5	8-2007876-6
3	H	4.9	8-2007876-5
3	H	4.5	8-2007876-4
2	H	5.5	8-2007876-3
2	H	4.9	8-2007876-2
2	H	4.5	8-2007876-1
3	G	5.5	7-2007876-6
3	G	4.9	7-2007876-5
3	G	4.5	7-2007876-4
2	G	5.5	7-2007876-3
2	G	4.9	7-2007876-2
2	G	4.5	7-2007876-1
3	F	5.5	6-2007876-6
3	F	4.9	6-2007876-5
3	F	4.5	6-2007876-4
2	F	5.5	6-2007876-3
2	F	4.9	6-2007876-2
2	F	4.5	6-2007876-1
3	E	5.5	5-2007876-6
3	E	4.9	5-2007876-5
3	E	4.5	5-2007876-4
2	E	5.5	5-2007876-3
2	E	4.9	5-2007876-2
2	E	4.5	5-2007876-1
3	D	5.5	4-2007876-6
3	D	4.9	4-2007876-5
3	D	4.5	4-2007876-4
2	D	5.5	4-2007876-3
2	D	4.9	4-2007876-2
2	D	4.5	4-2007876-1
3	C	5.5	3-2007876-6
3	C	4.9	3-2007876-5
3	C	4.5	3-2007876-4
2	C	5.5	3-2007876-3
2	C	4.9	3-2007876-2
2	C	4.5	3-2007876-1
3	B	5.5	2-2007876-6
3	B	4.9	2-2007876-5
3	B	4.5	2-2007876-4
2	B	5.5	2-2007876-3
2	B	4.9	2-2007876-2
2	B	4.5	2-2007876-1
3	A	5.5	1-2007876-6
3	A	4.9	1-2007876-5
3	A	4.5	1-2007876-4
2	A	5.5	1-2007876-3
2	A	4.9	1-2007876-2
2	A	4.5	1-2007876-1
3	-	5.5	2007876-6
3	-	4.9	2007876-5
3	-	4.5	2007876-4
2	-	5.5	2007876-3
2	-	4.9	2007876-2
2	-	4.5	2007876-1
FINISH	KEY POSITION	DIM M	PART NUMBER

REFER TO WWW.TE.COM FOR PRODUCT AVAILABILITY



THIS DRAWING IS A CONTROLLED DOCUMENT.		OWN R. COELLO 02MAY2011	STE TE Connectivity	
DIMENSIONS: mm		CHK J. EARY 02MAY2011		
TOLERANCES UNLESS OTHERWISE SPECIFIED: 9 PLC ± 8 PLC ±0.25 5 PLC ±0.13 4 PLC ± ANGLES ±		APVD J. EARY 02MAY2011	NAME IMPACT, 6 PAIR, 10 COLUMN, HEADER RIGHT GUIDED, OPEN END WALL SIGNAL MODULE, 0.46 PTH	
MATERIAL SEE TABLE		PRODUCT SPEC APPLICATION SPEC WEIGHT CUSTOMER DRAWING	SIZE A100779	DRAWING NO C=2007876
		SCALE 5:1	SHEET 2	OF 2
		REV A		