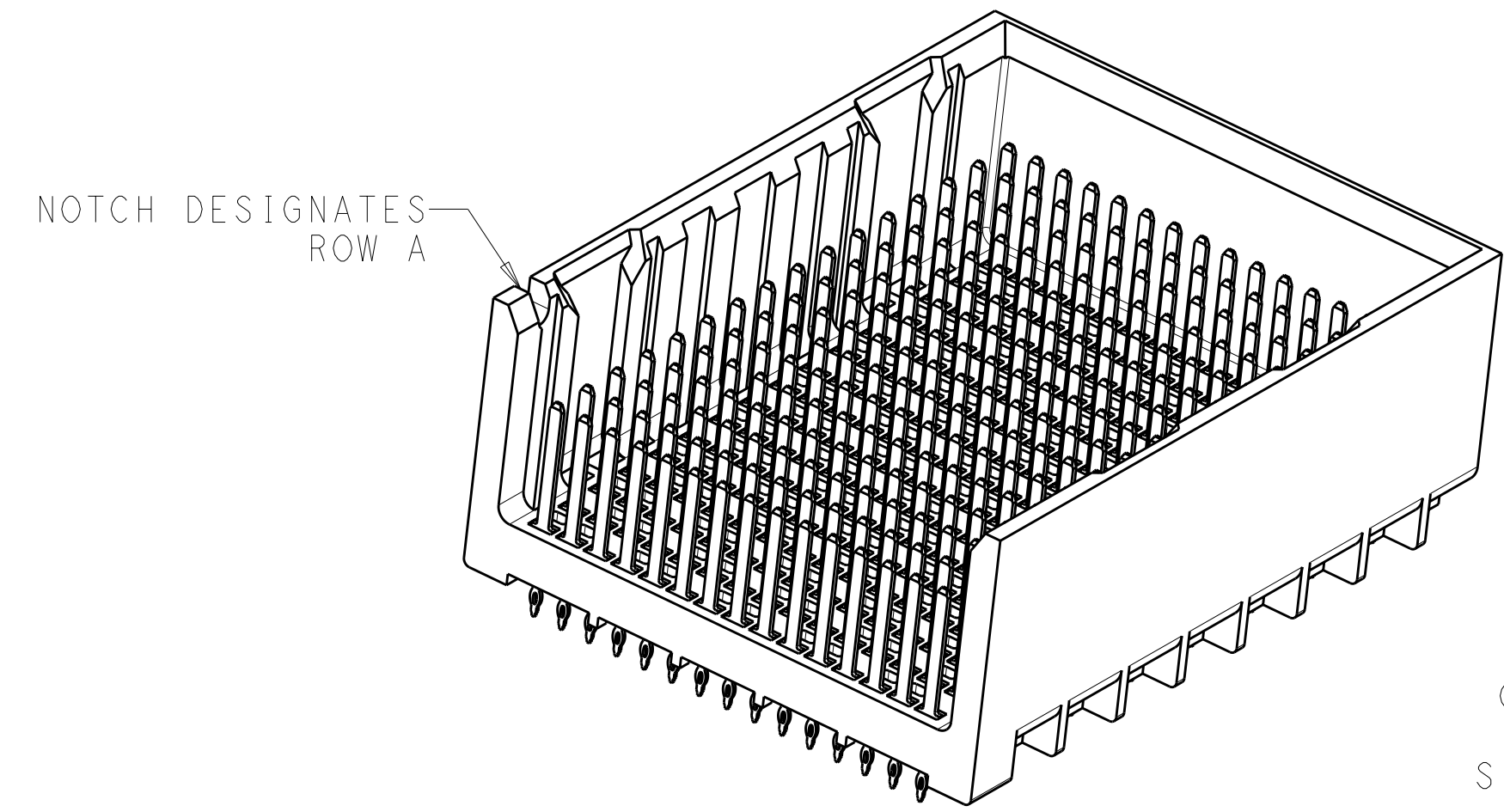
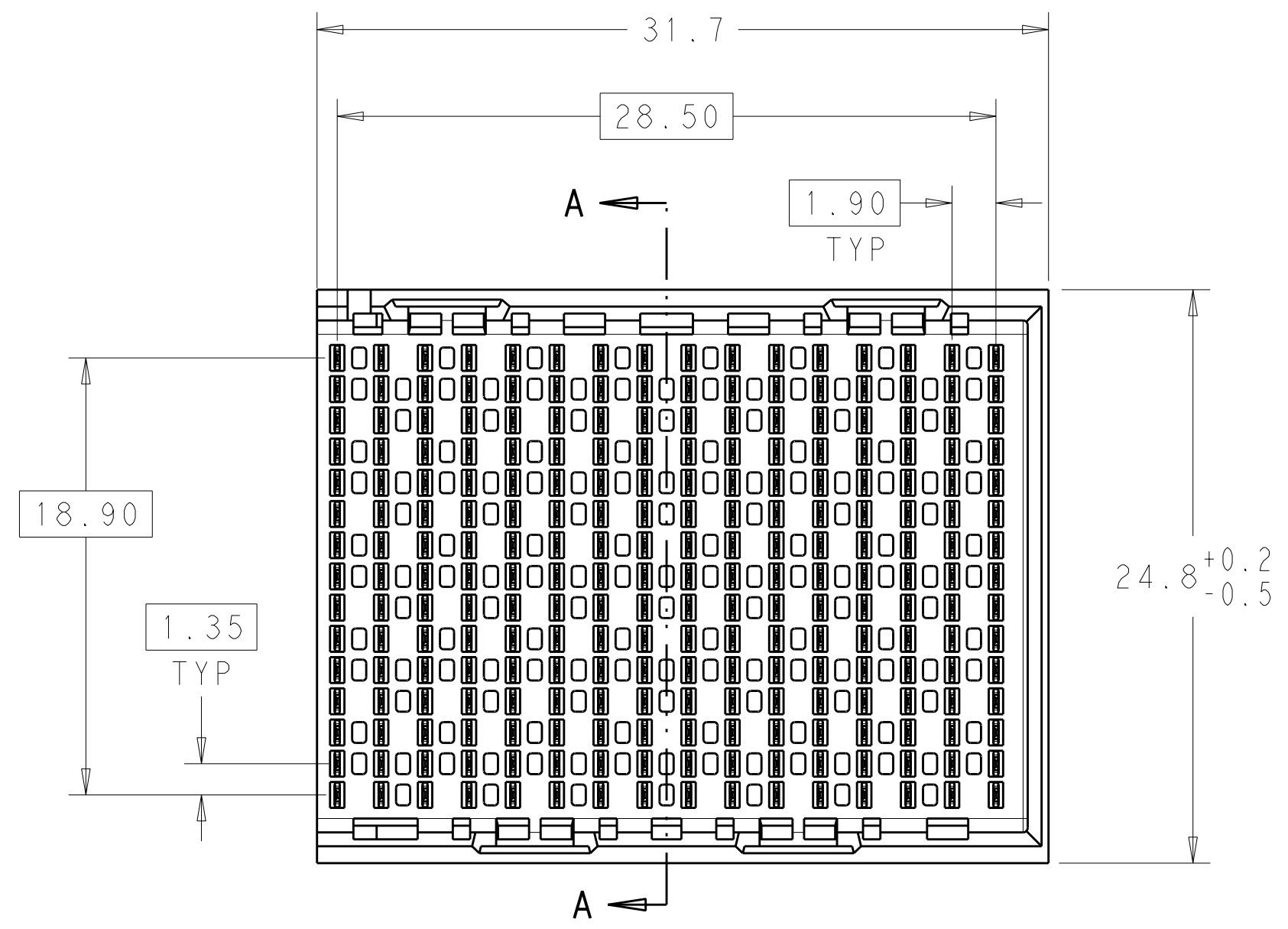
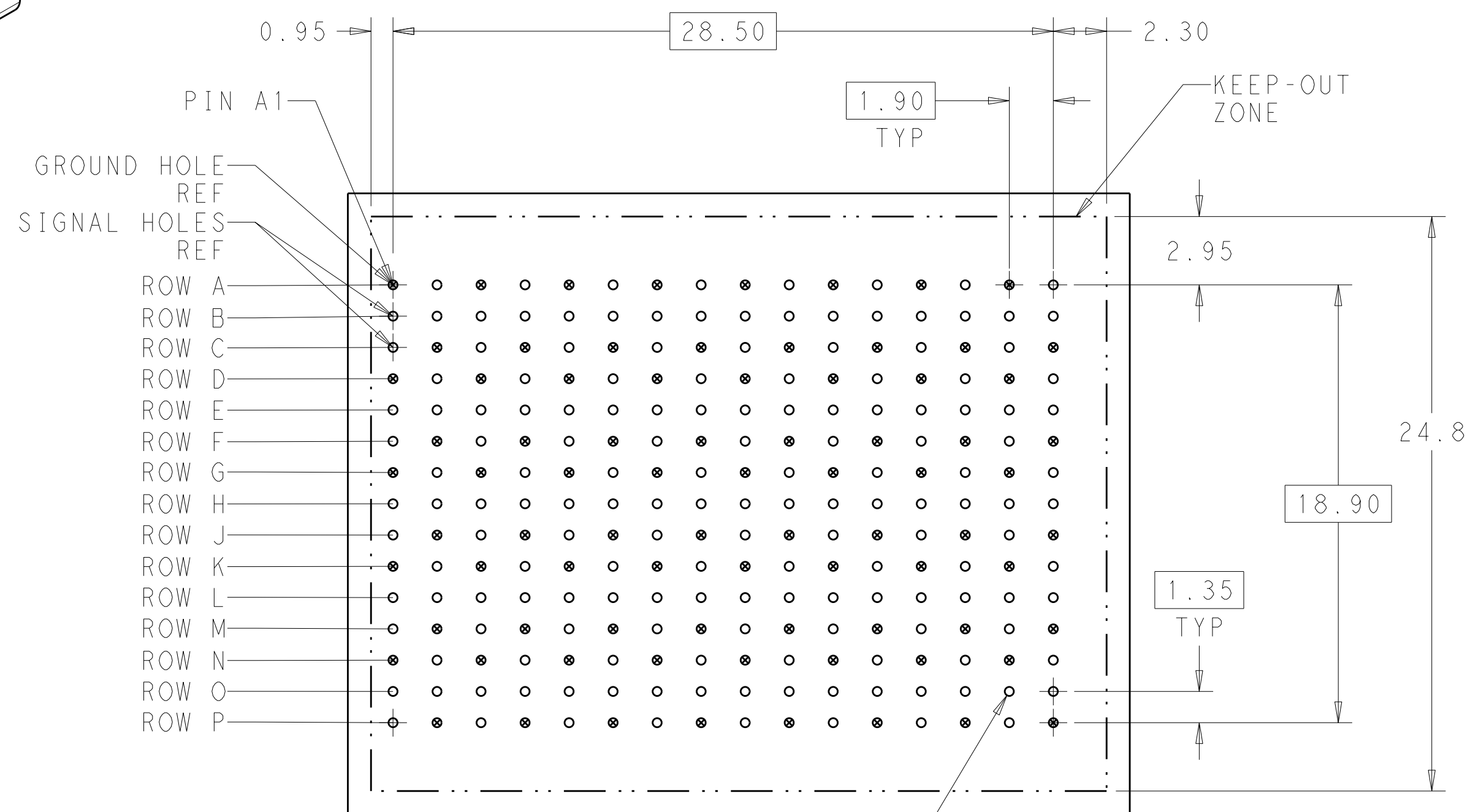


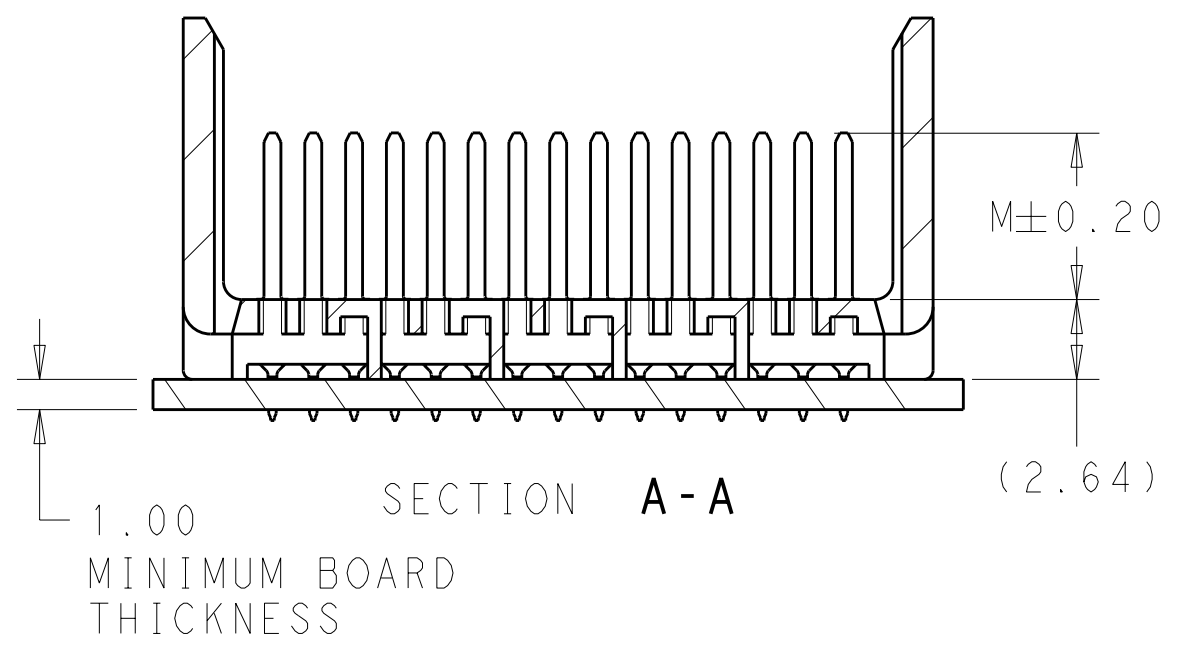
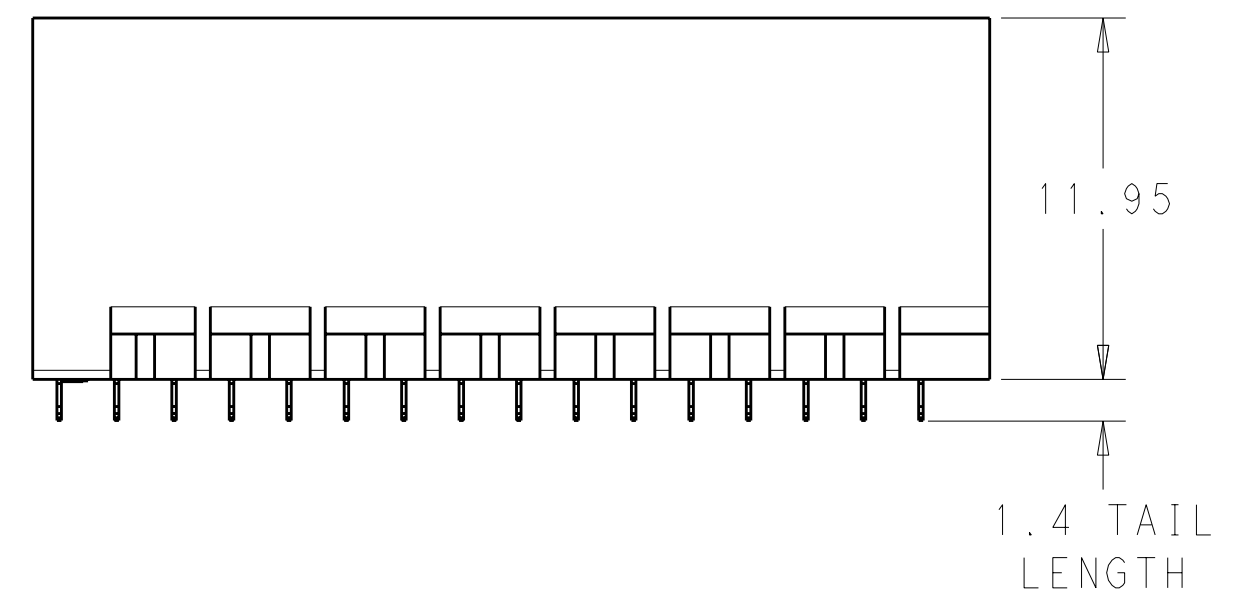
LOC		DIST		REVISIONS			
AD	00	REV	DATE	BY	CHK	APP	DATE
		B	03JAN2012	KH	DY		



- 1 MATERIAL:  
HOUSING: LCP, GLASS FILLED, UL94V-0.  
TERMINALS: HIGH PERFORMANCE COPPER ALLOY.
- 2 FINISH:  
30µ" MIN GOLD IN CONTACT AREA. SELECTIVE TIN  
ON PCB TAILS, NICKEL OVERALL.
- 3 FINISH:  
30µ" MIN GOLD IN CONTACT AREA. SELECTIVE TIN-LEAD  
ON PCB TAILS, NICKEL OVERALL.



240X Ø0.39±0.05  
PLATED THRU HOLE  
Ø0.10  
UNGUIDED  
BACKPLANE HOLE PATTERN  
(CONNECTOR SIDE)



THIS DRAWING IS A CONTROLLED DOCUMENT.		DWN J. K. SHOBER 02FEB2011		TE Connectivity	
DIMENSIONS: mm		CHK J. EARY 02FEB2011			
TOLERANCES UNLESS OTHERWISE SPECIFIED:		APVD J. EARY 02FEB2011		NAME IMPACT, 5 PAIR, 16 COLUMN, HEADER	
9 PLC ±		PRODUCT SPEC		UNGUIDED, RIGHT END WALL	
1 PLC ±0.25		APPLICATION SPEC		SIGNAL MODULE, 0.39 PTH	
3 PLC ±0.13		WEIGHT		SIZE CAGE CODE DRAWING NO. RESTRICTED TO	
5 PLC ±		CUSTOMER DRAWING		A100779C=2007871	
4 PLC ±		SCALE 4:1		SHEET 1 OF 2	
ANGLES ±		REV B			
FINISH SEE TABLE					

THIS DRAWING IS UNPUBLISHED. RELEASED FOR PUBLICATION 20  
 © COPYRIGHT 20 . . . ALL RIGHTS RESERVED.

LOC	DIST	REVISIONS					
AD	00	P	LTG	DESCRIPTION	DATE	DWN	APVD
		-	-	SEE SHEET 1	-	-	-

FINISH	DIM M	PART NUMBER
$\triangle_3$	5.5	2007871-6
$\triangle_3$	4.9	2007871-5
$\triangle_3$	4.5	2007871-4
$\triangle_2$	5.5	2007871-3
$\triangle_2$	4.9	2007871-2
$\triangle_2$	4.5	2007871-1

REFER TO WWW.TE.COM  
FOR PRODUCT AVAILABILITY

THIS DRAWING IS A CONTROLLED DOCUMENT.		DWN J. K. SHOBER 02FEB2011	
DIMENSIONS: mm		CHK J. EARY 02FEB2011	
TOLERANCES UNLESS OTHERWISE SPECIFIED: 9 PLC ± .25 7 PLC ± 0.13 5 PLC ± . 4 PLC ± . ANGLES ± . FINISH SEE TABLE		APVD J. EARY 02FEB2011	NAME IMPACT, 5 PAIR, 16 COLUMN, HEADER UNGUIDED, RIGHT END WALL SIGNAL MODULE, 0.39 PTH
MATERIAL -	PRODUCT SPEC -	APPLICATION SPEC -	RESTRICTED TO -
CUSTOMER DRAWING		WEIGHT -	SIZE CAGE CODE DRAWING NO A100779C=2007871
		SCALE 5:1	SHEET 2 OF 2 REV B