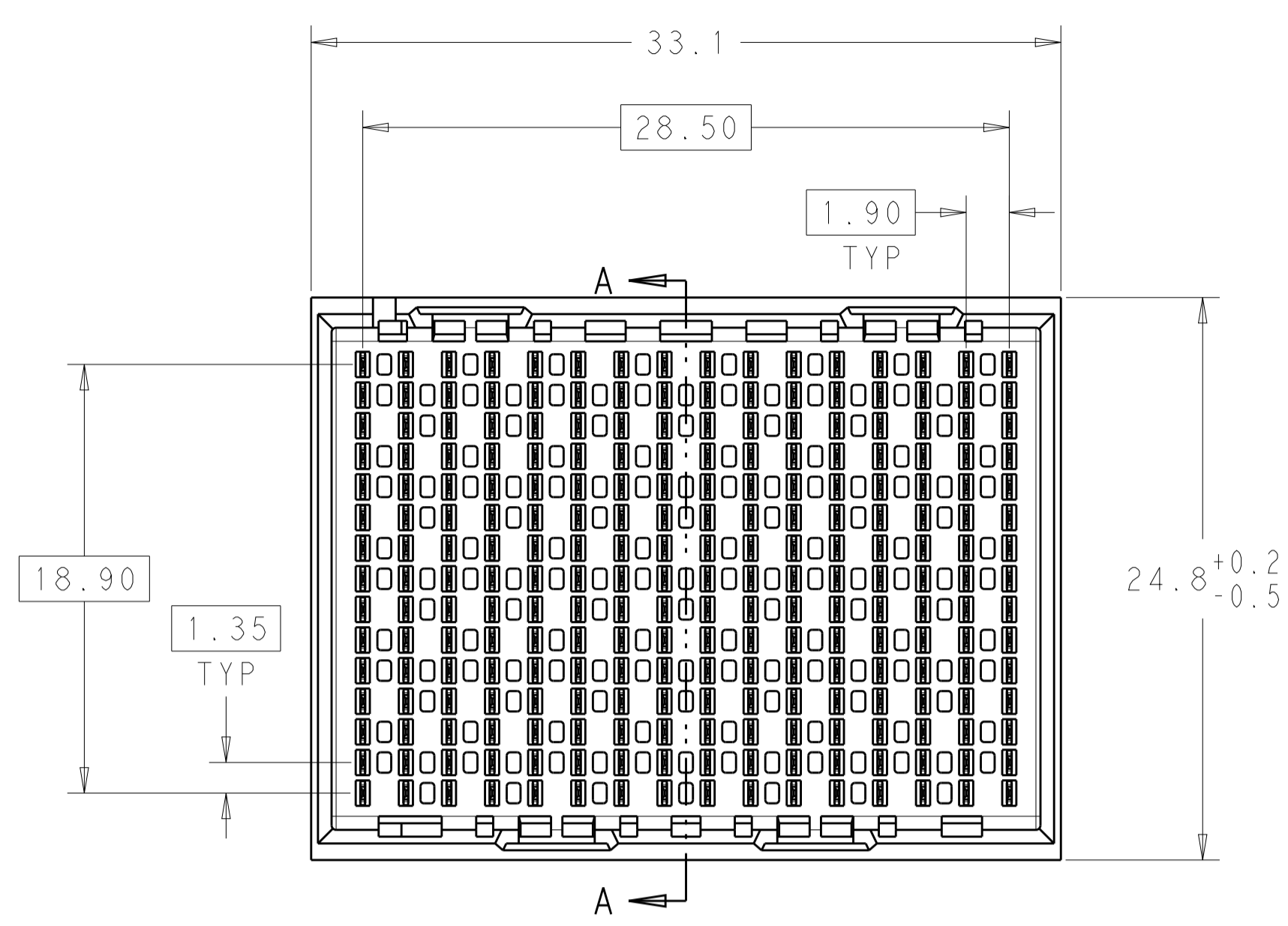
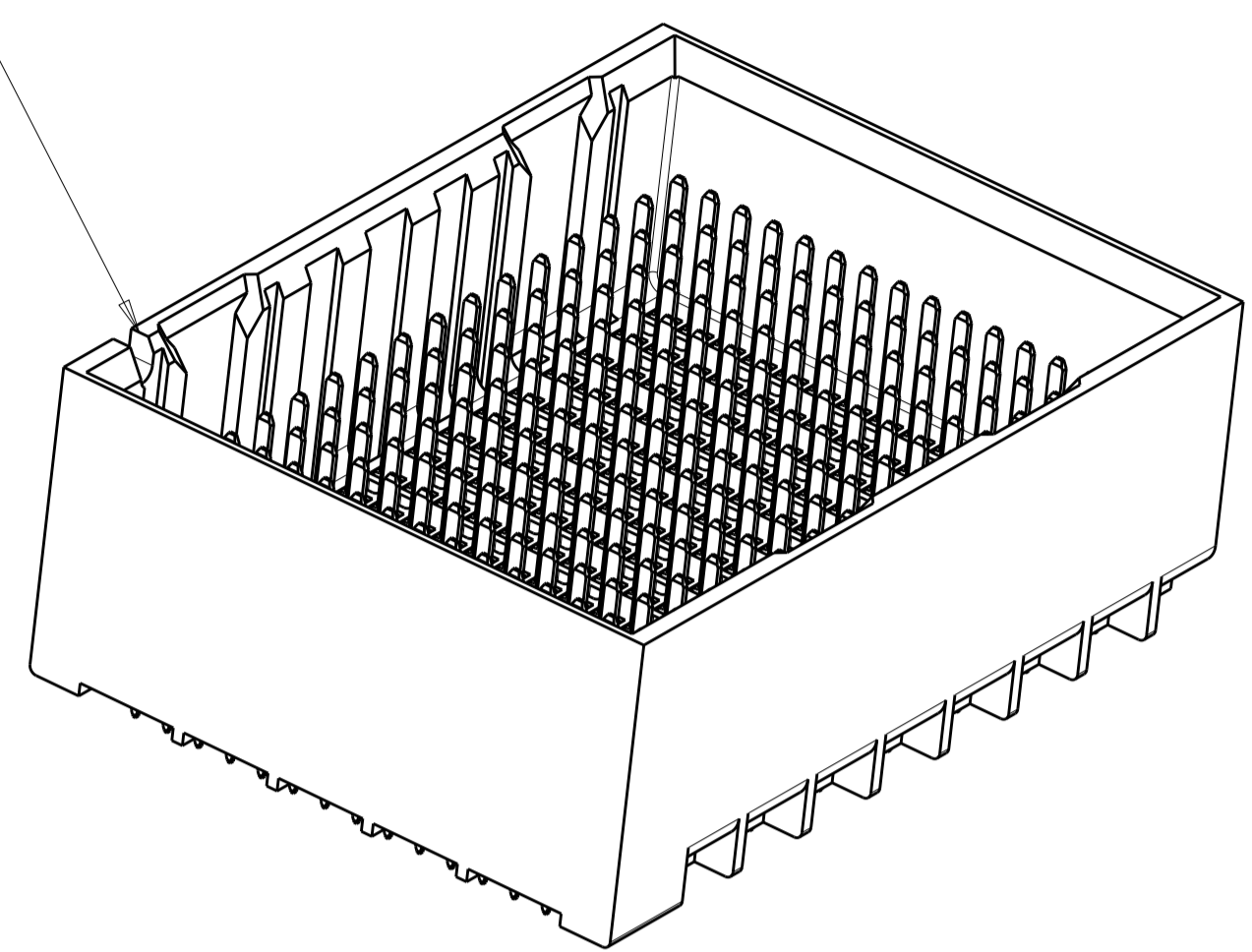


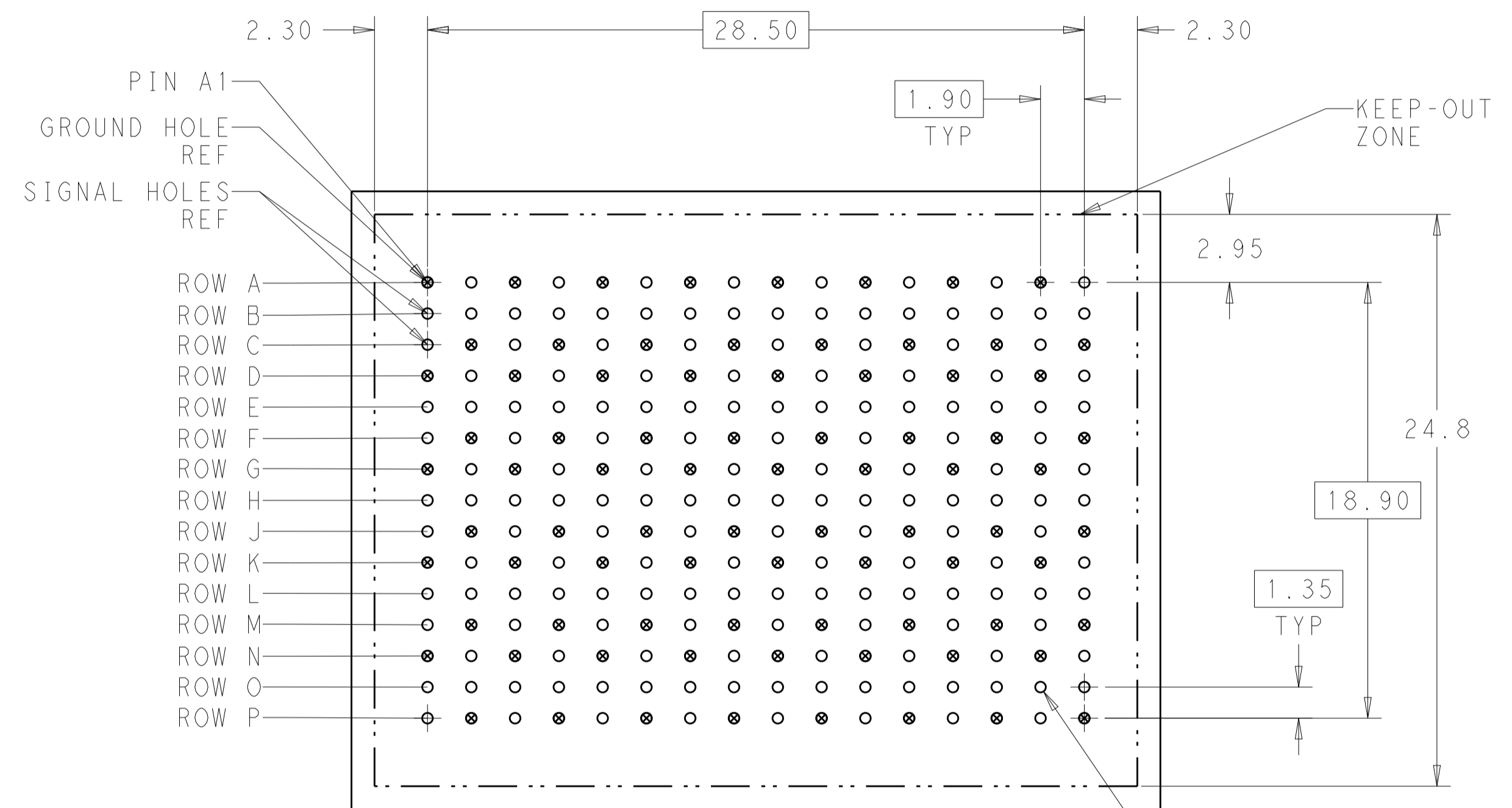
LOC		DIST		REVISIONS			
AD	00	P	LTN	DESCRIPTION	DATE	DWN	APVD
		A		CREATED BY AUTOMATION PROGRAM	10MAY2011	RKC	JE



NOTCH DESIGNATES ROW A

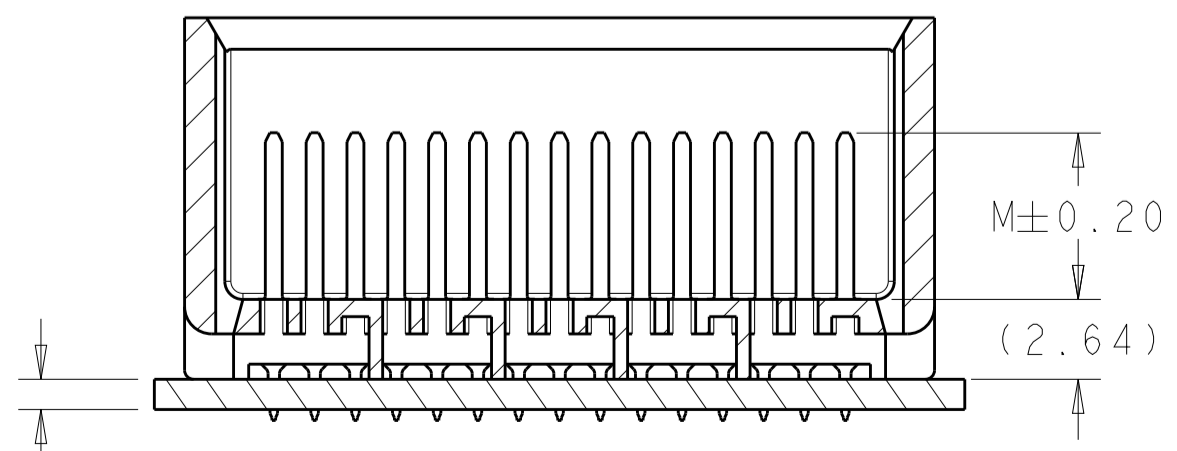
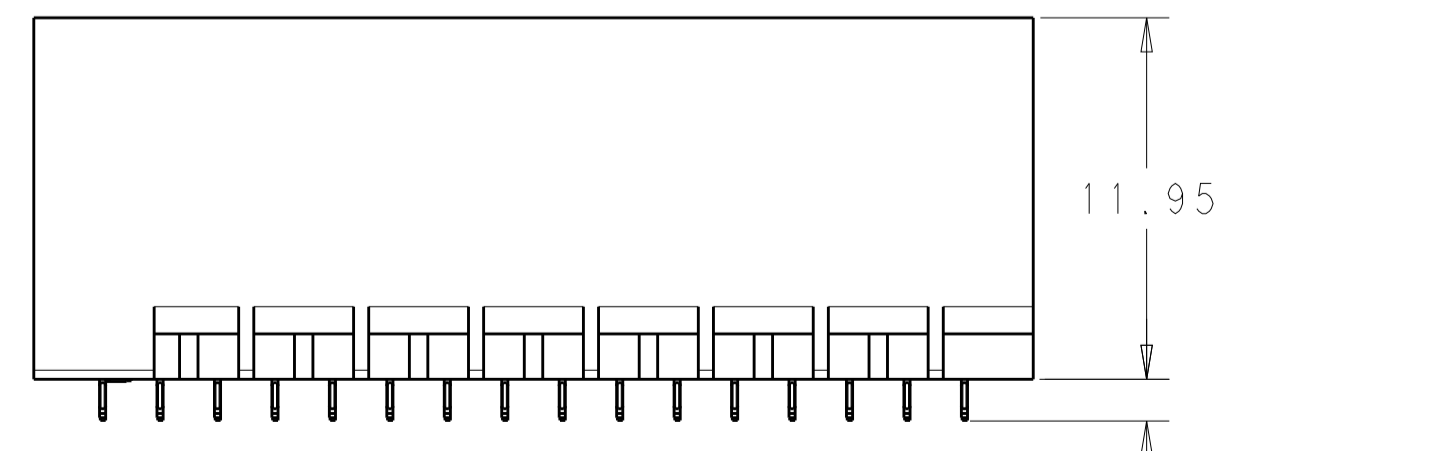


- 1 MATERIAL:
HOUSING: LCP, GLASS FILLED, UL94V-0.
TERMINALS: HIGH PERFORMANCE COPPER ALLOY.
- 2 FINISH:
30μ" MIN GOLD IN CONTACT AREA. SELECTIVE TIN ON PCB TAILS, NICKEL OVERALL.
- 3 FINISH:
30μ" MIN GOLD IN CONTACT AREA. SELECTIVE TIN-LEAD ON PCB TAILS, NICKEL OVERALL.



240X Ø0.46±0.05 PLATED THRU HOLE
 240X Ø0.55±0.013 DRILL HOLE
 Ⓢ Ø0.10

UNGUIDED BACKPLANE HOLE PATTERN (CONNECTOR SIDE)



1.4 TAIL LENGTH
 1.00 MINIMUM BOARD THICKNESS

THIS DRAWING IS A CONTROLLED DOCUMENT.		DWN R. COELLO 09MAY2011	TE Connectivity
DIMENSIONS: mm		CHK J. EARY 09MAY2011	
TOLERANCES UNLESS OTHERWISE SPECIFIED:		APVD J. EARY 09MAY2011	NAME IMPACT, 5 PAIR, 16 COLUMN, HEADER
0 PLC ±	1 PLC ±0.25	PRODUCT SPEC	UNGUIDED, DUAL END WALL
2 PLC ±0.13	3 PLC ±	APPLICATION SPEC	SIGNAL MODULE, 0.46 PTH
4 PLC ±	ANGLES ±	WEIGHT	SIZE CAGE CODE DRAWING NO. RESTRICTED TO
MATERIAL	FINISH SEE TABLE	CUSTOMER DRAWING	A100779C=2007866
SCALE 4:1		SHEET 1 OF 2 REV A	

THIS DRAWING IS UNPUBLISHED. RELEASED FOR PUBLICATION 20
 © COPYRIGHT 20 BY - ALL RIGHTS RESERVED.

LOC	DIST	REVISIONS					
		P	LTN	DESCRIPTION	DATE	DMN	APVD
AD	00	-	-	SEE SHEET 1	-	-	-

FINISH	DIM M	PART NUMBER
3	5.5	2007866-6
3	4.9	2007866-5
3	4.5	2007866-4
2	5.5	2007866-3
2	4.9	2007866-2
2	4.5	2007866-1

REFER TO WWW.TE.COM
FOR PRODUCT AVAILABILITY

THIS DRAWING IS A CONTROLLED DOCUMENT.		DMN R. COELLO 09MAY2011	
		CHK J. EARY 09MAY2011	
DIMENSIONS:		APVD J. EARY 09MAY2011	NAME IMPACT, 5 PAIR, 16 COLUMN, HEADER UNGUIDED, DUAL END WALL SIGNAL MODULE, 0.46 PTH
TOLERANCES UNLESS OTHERWISE SPECIFIED:		PRODUCT SPEC	
mm	0 PLC ±0.25	APPLICATION SPEC	SIZE CAGE CODE DRAWING NO RESTRICTED TO
	1 PLC ±0.13	WEIGHT	A100779C=2007866
	2 PLC ±	CUSTOMER DRAWING	SCALE 5:1 SHEET 2 OF 2 REV A
	3 PLC ±		
	4 PLC ±		
	ANGLES ±		
MATERIAL	FINISH SEE TABLE		