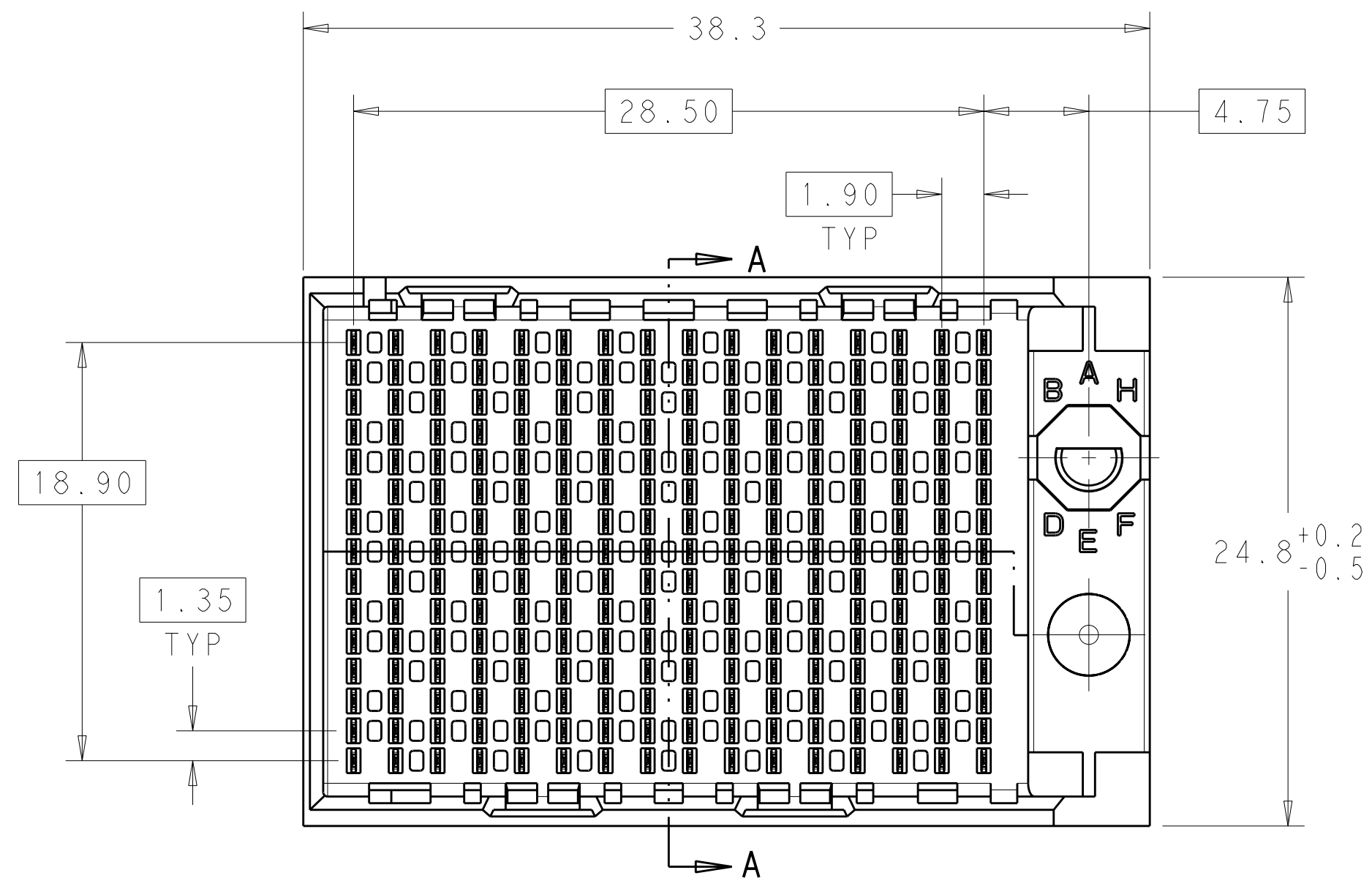
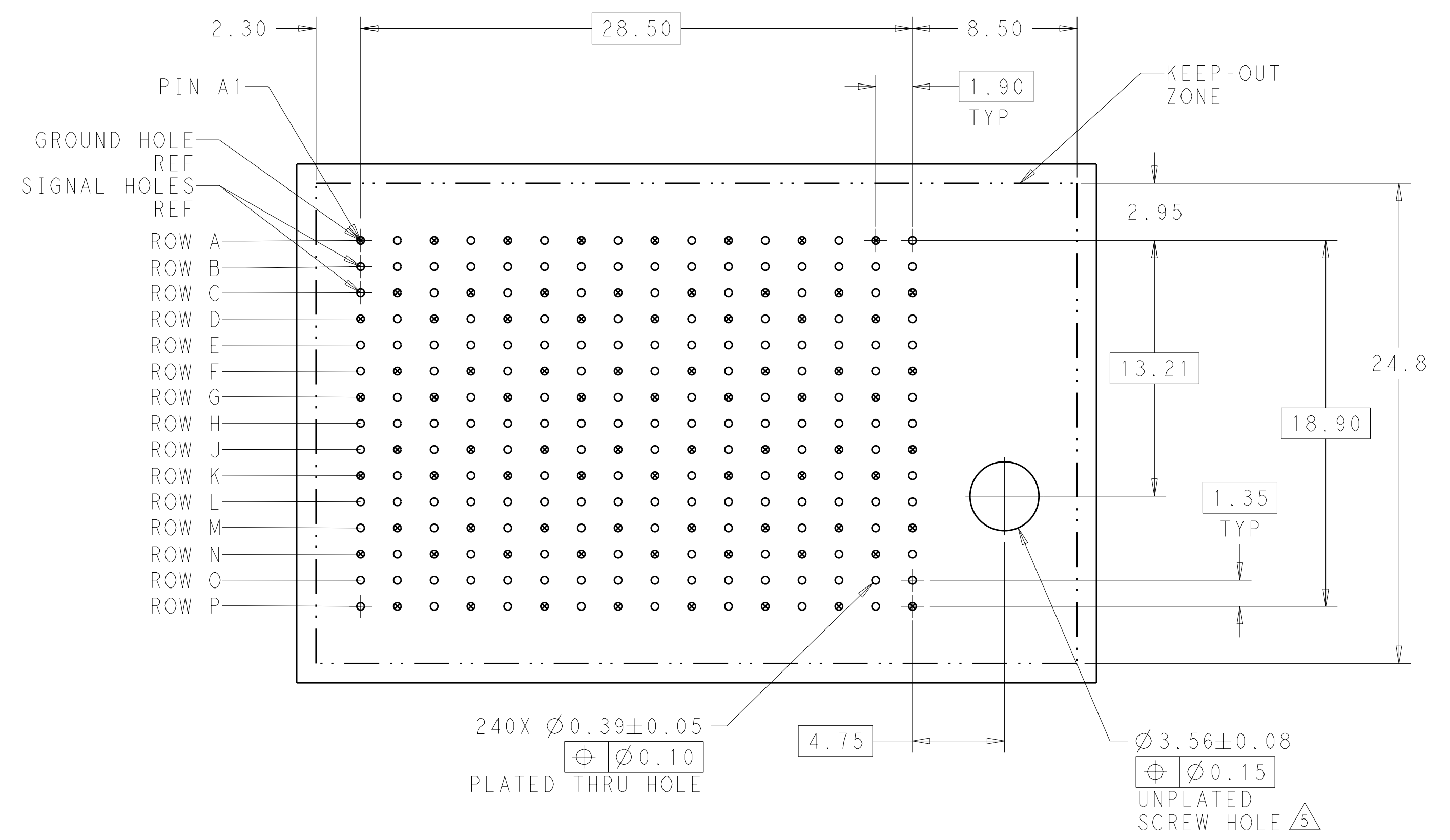
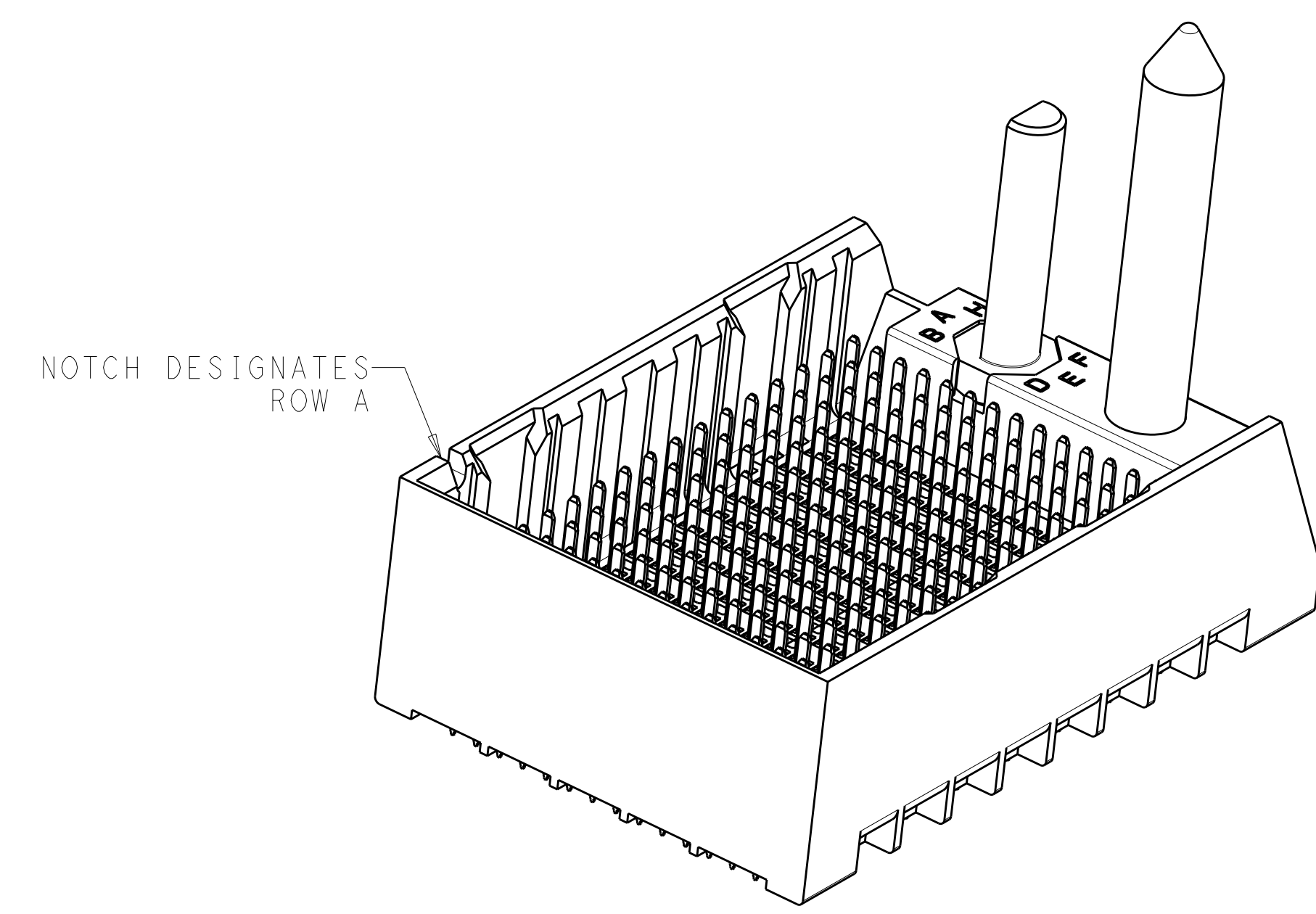


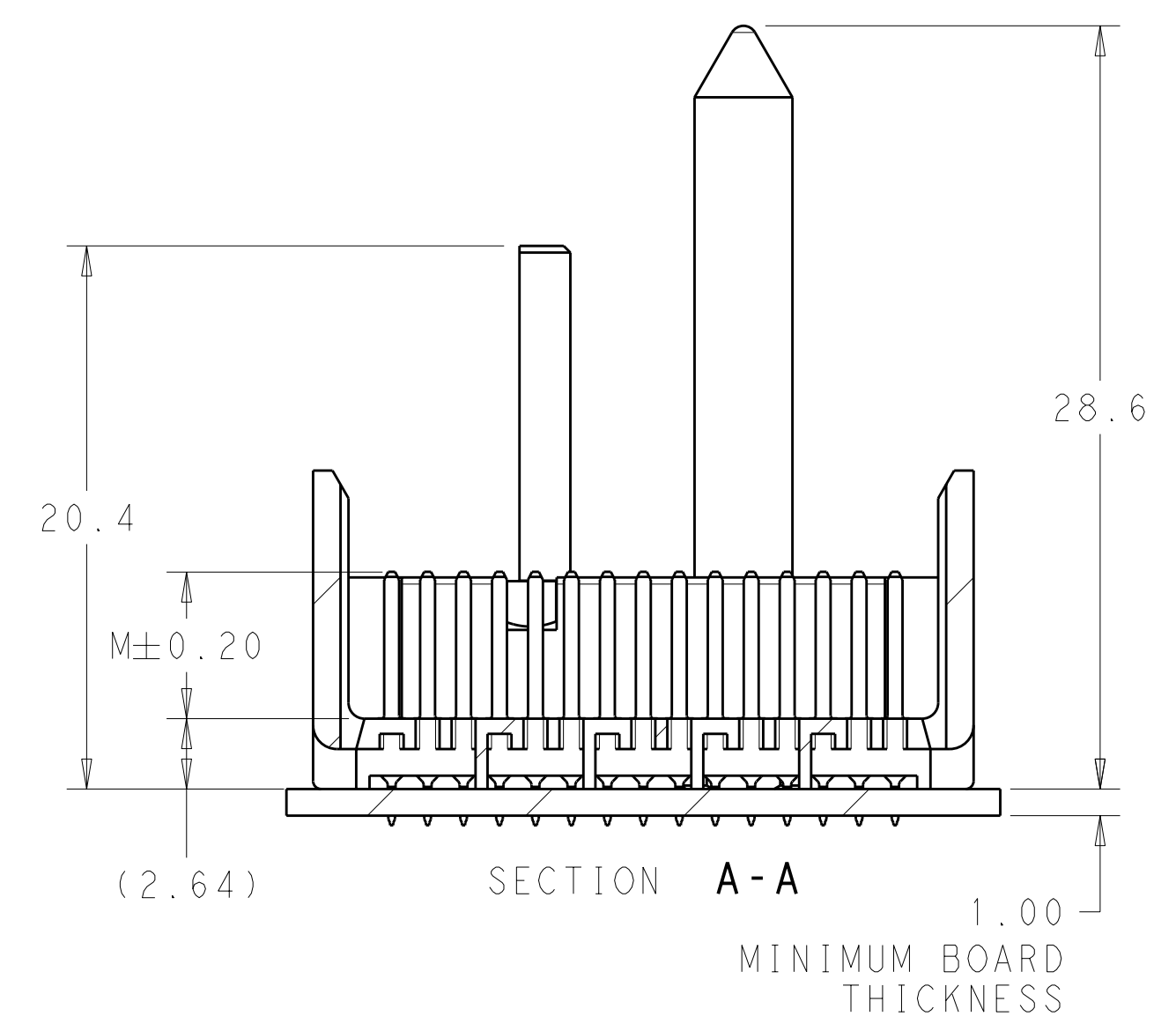
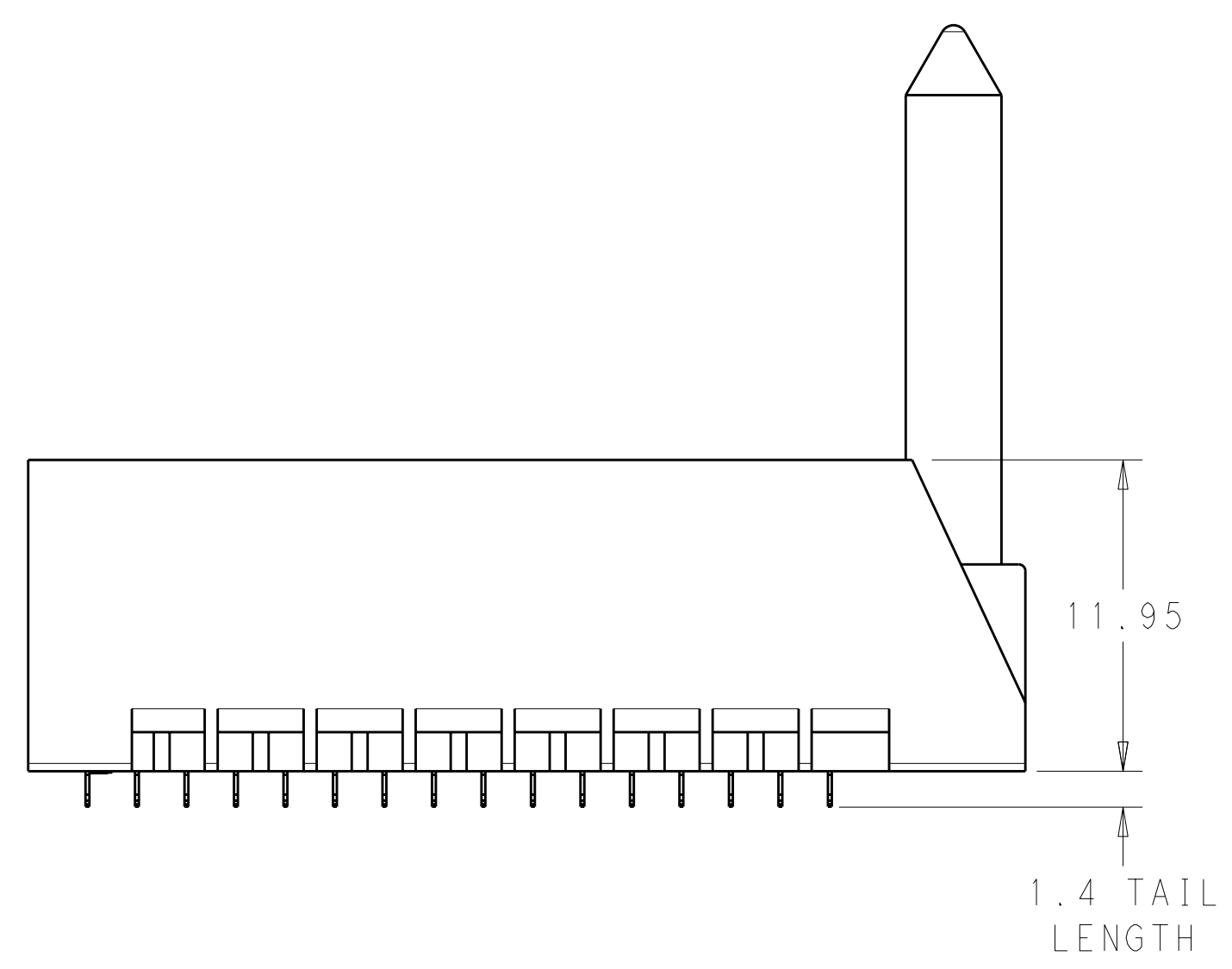
LOC	DIST	REV	DATE	BY	APPD
AD	00	B	03JAN2012	KH	DY



- 1 MATERIAL:
HOUSING: LCP, GLASS FILLED, UL94V-0.
TERMINALS: HIGH PERFORMANCE COPPER ALLOY.
- 2 FINISH:
30μ" MIN GOLD IN CONTACT AREA. SELECTIVE TIN
ON PCB TAILS, NICKEL OVERALL.
- 3 FINISH:
30μ" MIN GOLD IN CONTACT AREA. SELECTIVE TIN-LEAD
ON PCB TAILS, NICKEL OVERALL.
- 4. SCREWS PACKAGED IN END OF PACKAGING TUBE.
- 5 FOR GROUNDED GUIDE PIN USE $\phi 3.56 \pm 0.08$ PTH,
 $\phi 3.66$ DRILL, AND $\phi 6.5$ PAD.
- 6. KEYING PIN SHOWN IN POSITION A, SEE KEYING CHART
ON SHEET 2 FOR OTHER POSITIONS.



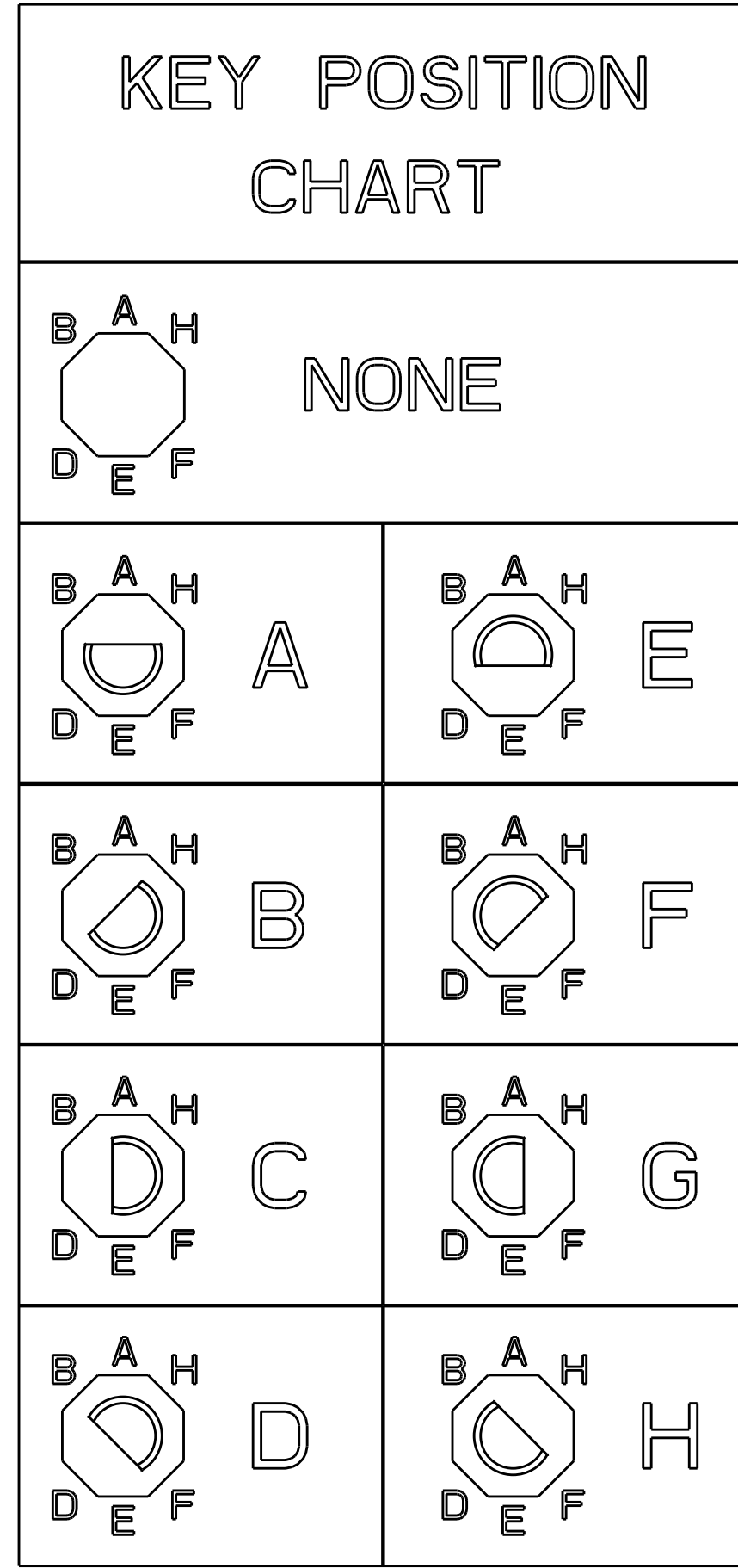
RIGHT GUIDED
BACKPLANE HOLE PATTERN
(CONNECTOR SIDE)



THIS DRAWING IS A CONTROLLED DOCUMENT.		DWN J. K. SHOBER 02FEB2011	TE Connectivity
DIMENSIONS: mm		CHK J. EARY 02FEB2011	
TOLERANCES UNLESS OTHERWISE SPECIFIED:		APVD J. EARY 02FEB2011	NAME IMPACT, 5 PAIR, 16 COLUMN, HEADER
0 PLC	±	PRODUCT SPEC	RIGHT GUIDED, LEFT END WALL
1 PLC	±0.25	APPLICATION SPEC	SIGNAL MODULE, 0.39 PTH
2 PLC	±0.13	SIZE CAGE CODE DRAWING NO	A100779C=2007863
3 PLC	±	RESTRICTED TO	
4 PLC	±	WEIGHT	
ANGLES	±	CUSTOMER DRAWING	SCALE 4:1 SHEET 1 OF 2 REV B
MATERIAL	SEE TABLE		

REVISIONS			
LOC	DIST	DATE	DESCRIPTION
AD	00		SEE SHEET 1

3	H	5.5	8-2007863-6
3	H	4.9	8-2007863-5
3	H	4.5	8-2007863-4
2	H	5.5	8-2007863-3
2	H	4.9	8-2007863-2
2	H	4.5	8-2007863-1
3	G	5.5	7-2007863-6
3	G	4.9	7-2007863-5
3	G	4.5	7-2007863-4
2	G	5.5	7-2007863-3
2	G	4.9	7-2007863-2
2	G	4.5	7-2007863-1
3	F	5.5	6-2007863-6
3	F	4.9	6-2007863-5
3	F	4.5	6-2007863-4
2	F	5.5	6-2007863-3
2	F	4.9	6-2007863-2
2	F	4.5	6-2007863-1
3	E	5.5	5-2007863-6
3	E	4.9	5-2007863-5
3	E	4.5	5-2007863-4
2	E	5.5	5-2007863-3
2	E	4.9	5-2007863-2
2	E	4.5	5-2007863-1
3	D	5.5	4-2007863-6
3	D	4.9	4-2007863-5
3	D	4.5	4-2007863-4
2	D	5.5	4-2007863-3
2	D	4.9	4-2007863-2
2	D	4.5	4-2007863-1
3	C	5.5	3-2007863-6
3	C	4.9	3-2007863-5
3	C	4.5	3-2007863-4
2	C	5.5	3-2007863-3
2	C	4.9	3-2007863-2
2	C	4.5	3-2007863-1
3	B	5.5	2-2007863-6
3	B	4.9	2-2007863-5
3	B	4.5	2-2007863-4
2	B	5.5	2-2007863-3
2	B	4.9	2-2007863-2
2	B	4.5	2-2007863-1
3	A	5.5	1-2007863-6
3	A	4.9	1-2007863-5
3	A	4.5	1-2007863-4
2	A	5.5	1-2007863-3
2	A	4.9	1-2007863-2
2	A	4.5	1-2007863-1
3	-	5.5	2007863-6
3	-	4.9	2007863-5
3	-	4.5	2007863-4
2	-	5.5	2007863-3
2	-	4.9	2007863-2
2	-	4.5	2007863-1
FINISH	KEY POSITION	DIM M	PART NUMBER



REFER TO WWW.TE.COM
FOR PRODUCT AVAILABILITY

THIS DRAWING IS A CONTROLLED DOCUMENT.		DWN J. K. SHOBER 02FEB2011 CHK J. EARY 02FEB2011 APVD J. EARY 02FEB2011	TE Connectivity
DIMENSIONS: mm	TOLERANCES UNLESS OTHERWISE SPECIFIED: 9 PLC ± 7 PLC ±0.25 5 PLC ±0.13 4 PLC ± ANGLES ± FINISH SEE TABLE	PRODUCT SPEC APPLICATION SPEC WEIGHT CUSTOMER DRAWING	NAME IMPACT, 5 PAIR, 16 COLUMN, HEADER RIGHT GUIDED, LEFT END WALL SIGNAL MODULE, 0.39 PTH SIZE CAGE CODE DRAWING NO RESTRICTED TO A100779C=2007863
SCALE 5:1		SHEET 2 OF 2	REV B