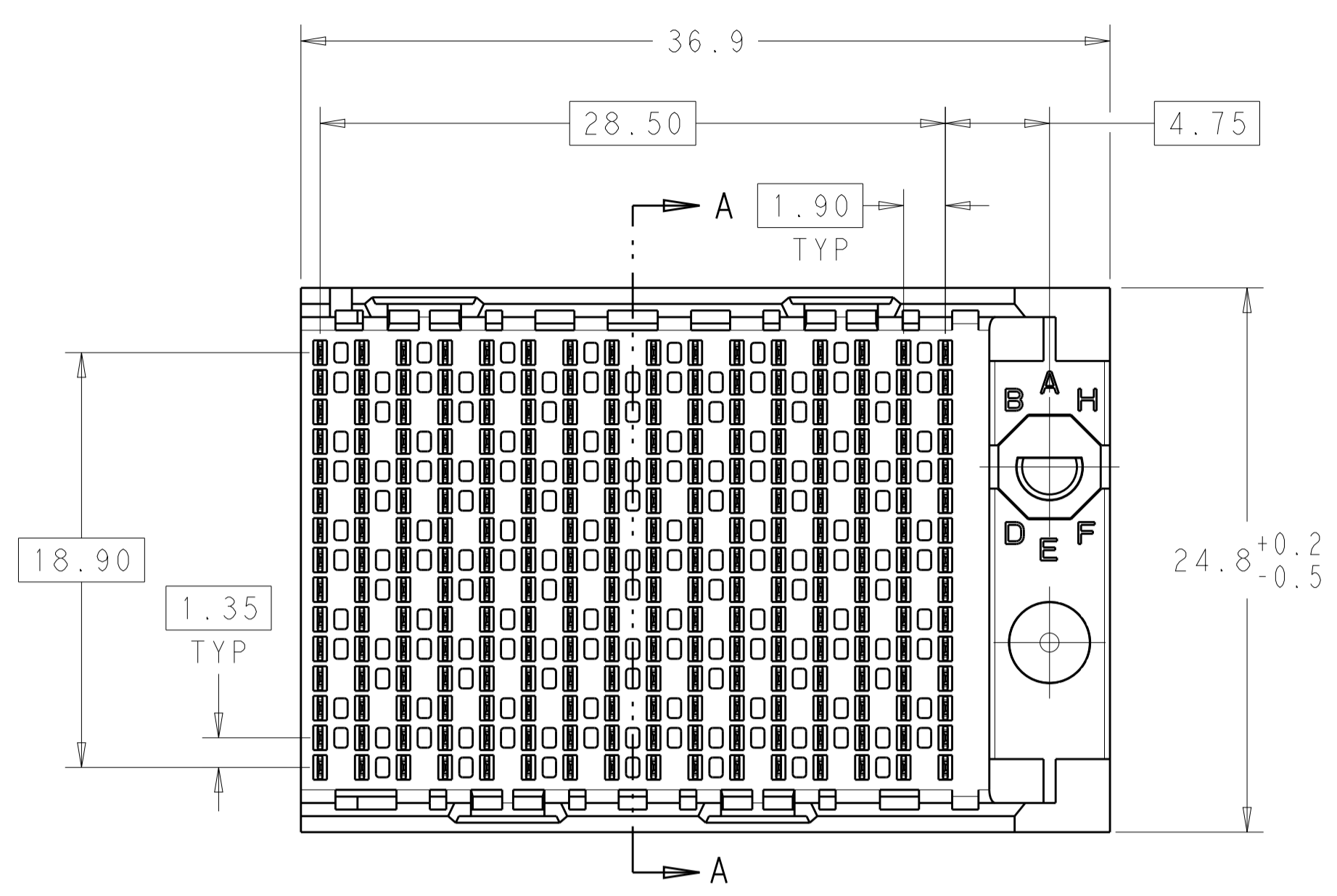
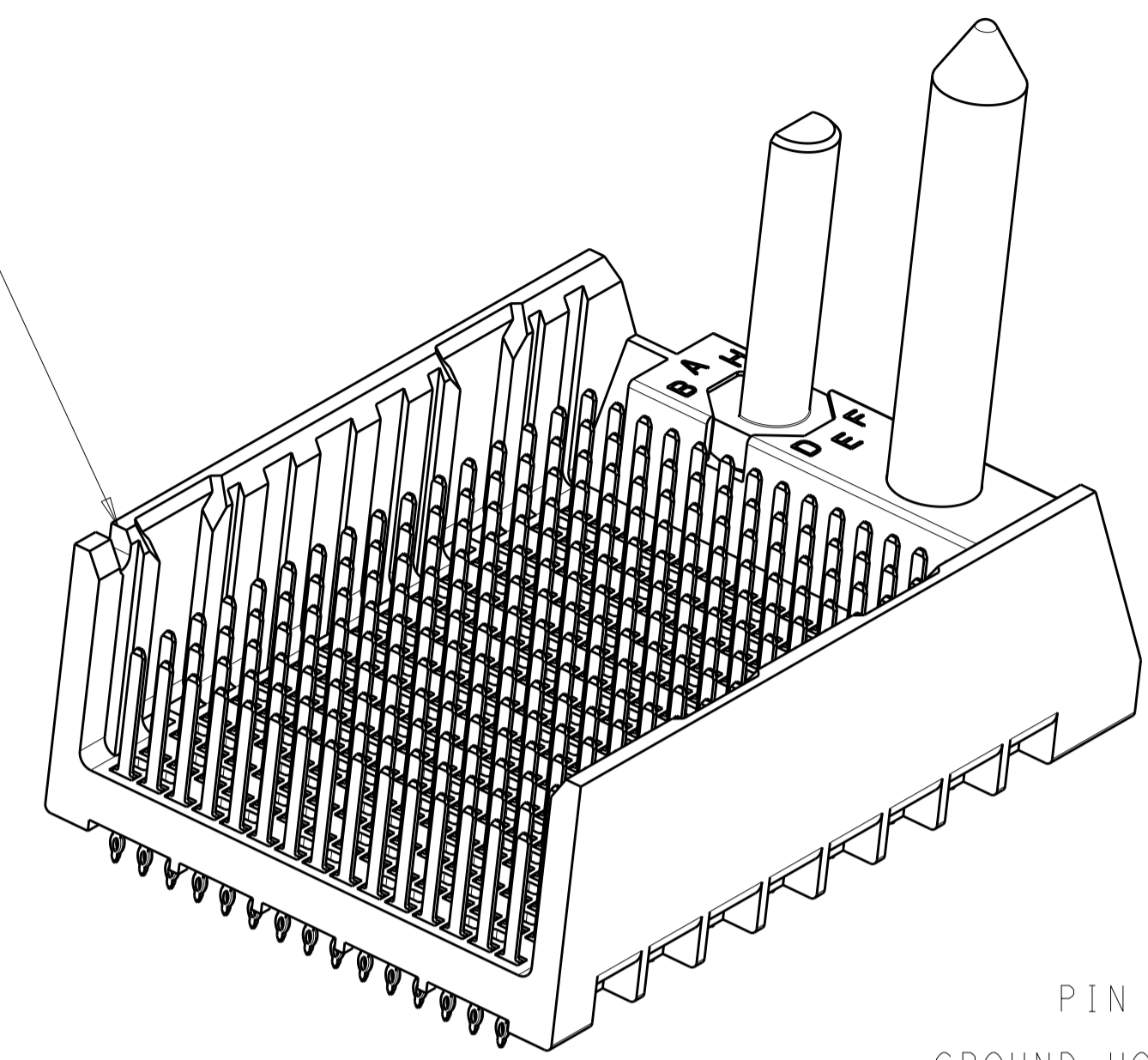


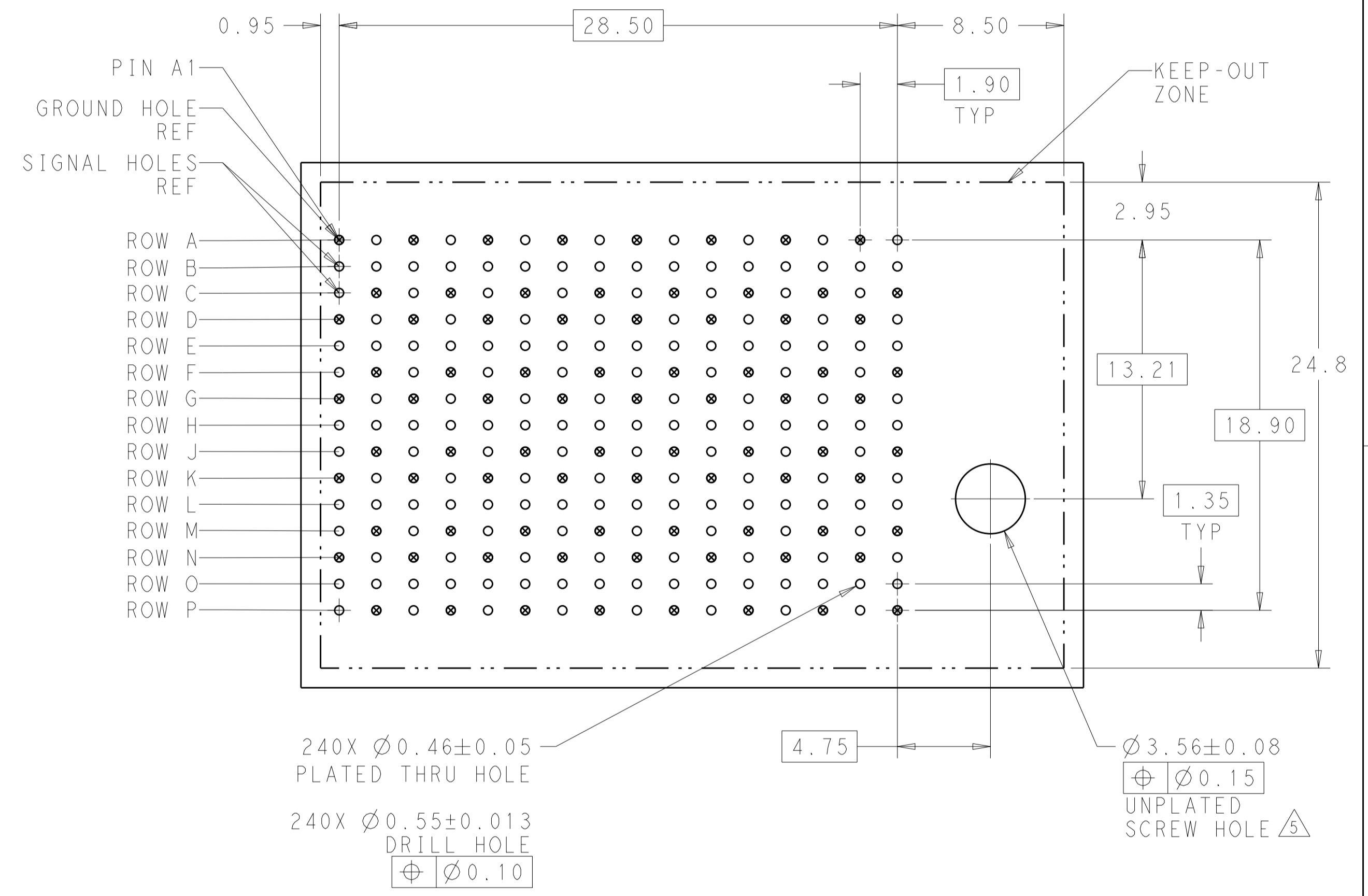
LOC		DIST		REVISIONS			
AD	00	P	LTN	DESCRIPTION	DATE	DWN	APVD
		A		CREATED BY AUTOMATION PROGRAM	10MAY2011	RKC	JE



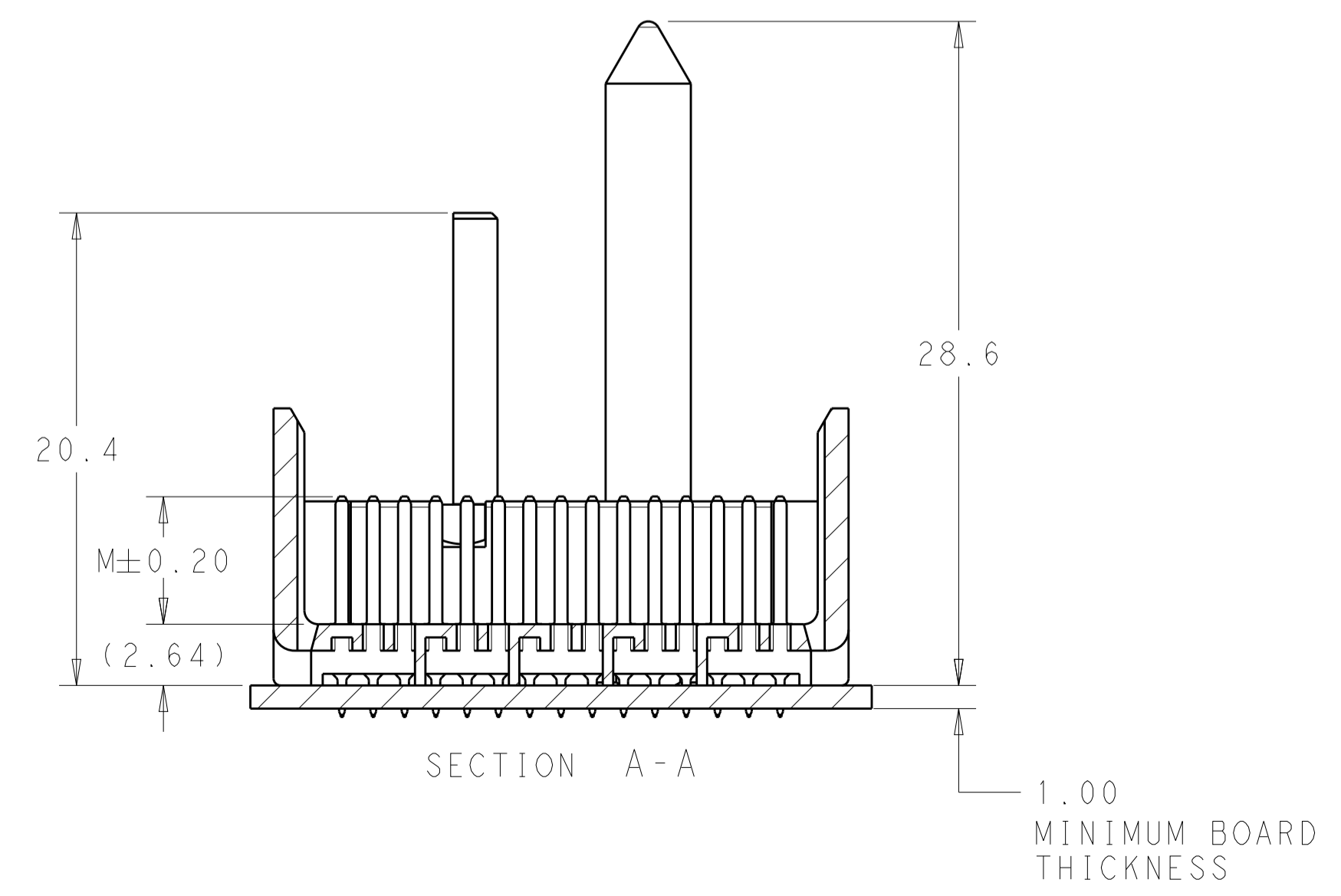
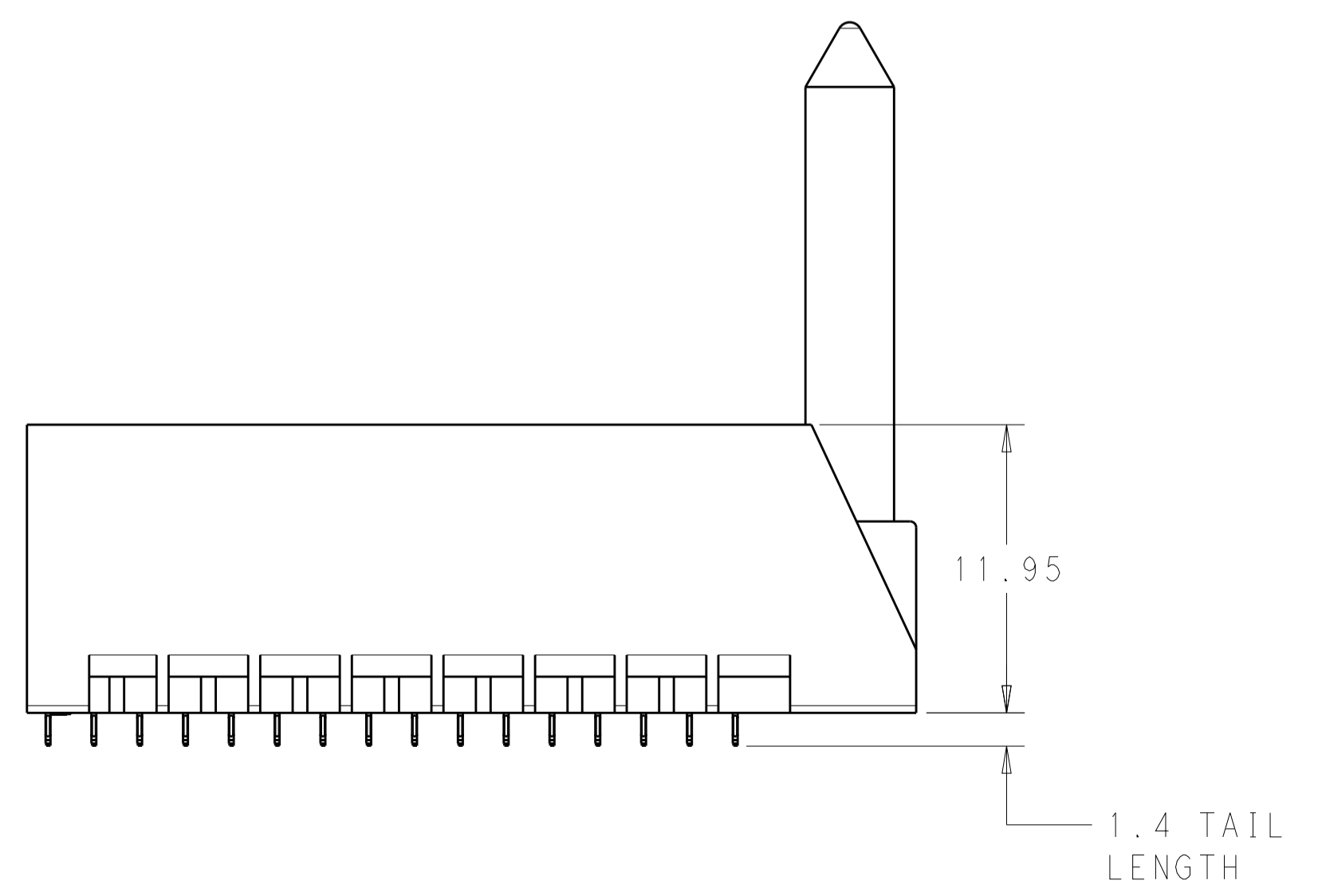
NOTCH DESIGNATES ROW A



- 1. MATERIAL:
HOUSING: LCP, GLASS FILLED, UL94V-0.
TERMINALS: HIGH PERFORMANCE COPPER ALLOY.
- 2. FINISH:
30μ" MIN GOLD IN CONTACT AREA. SELECTIVE TIN ON PCB TAILS, NICKEL OVERALL.
- 3. FINISH:
30μ" MIN GOLD IN CONTACT AREA. SELECTIVE TIN-LEAD ON PCB TAILS, NICKEL OVERALL.
- 4. SCREWS PACKAGED IN END OF PACKAGING TUBE.
- 5. FOR GROUNDED GUIDE PIN USE Ø3.56±0.08 PTH, Ø3.66 DRILL, AND Ø6.5 PAD.
- 6. KEYING PIN SHOWN IN POSITION A, SEE KEYING CHART ON SHEET 2 FOR OTHER POSITIONS.



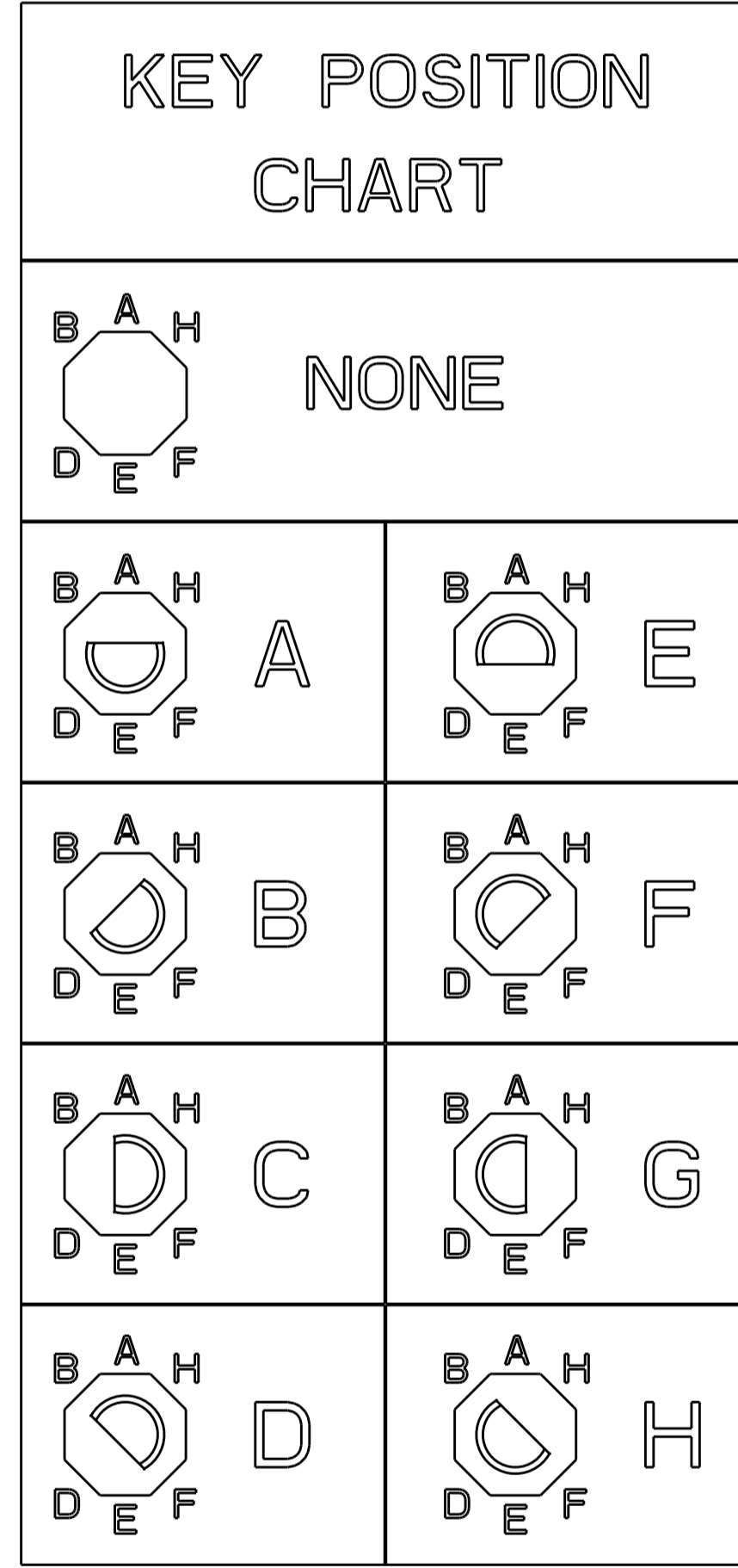
RIGHT GUIDED BACKPLANE HOLE PATTERN (CONNECTOR SIDE)



THIS DRAWING IS A CONTROLLED DOCUMENT.		DWN R. COELLO 09MAY2011	TE Connectivity
DIMENSIONS: mm		CHK J. EARY 09MAY2011	
TOLERANCES UNLESS OTHERWISE SPECIFIED:		APVD J. EARY 09MAY2011	NAME
0 PLC	±	PRODUCT SPEC	IMPACT, 5 PAIR, 16 COLUMN, HEADER
1 PLC	±0.25	APPLICATION SPEC	RIGHT GUIDED, OPEN END WALL
2 PLC	±0.13		SIGNAL MODULE, 0.46 PTH
3 PLC	±		SIZE CAGE CODE DRAWING NO
4 PLC	±		A100779C=2007860
ANGLES	±	WEIGHT	RESTRICTED TO
FINISH	SEE TABLE	CUSTOMER DRAWING	SCALE 4:1 SHEET 1 OF 2 REV A

LOC	DIST	P	LTN	DESCRIPTION	DATE	DWN	APVD
AD	00	-	-	SEE SHEET 1	-	-	-

3	H	5.5	8-2007860-6
3	H	4.9	8-2007860-5
3	H	4.5	8-2007860-4
2	H	5.5	8-2007860-3
2	H	4.9	8-2007860-2
2	H	4.5	8-2007860-1
3	G	5.5	7-2007860-6
3	G	4.9	7-2007860-5
3	G	4.5	7-2007860-4
2	G	5.5	7-2007860-3
2	G	4.9	7-2007860-2
2	G	4.5	7-2007860-1
3	F	5.5	6-2007860-6
3	F	4.9	6-2007860-5
3	F	4.5	6-2007860-4
2	F	5.5	6-2007860-3
2	F	4.9	6-2007860-2
2	F	4.5	6-2007860-1
3	E	5.5	5-2007860-6
3	E	4.9	5-2007860-5
3	E	4.5	5-2007860-4
2	E	5.5	5-2007860-3
2	E	4.9	5-2007860-2
2	E	4.5	5-2007860-1
3	D	5.5	4-2007860-6
3	D	4.9	4-2007860-5
3	D	4.5	4-2007860-4
2	D	5.5	4-2007860-3
2	D	4.9	4-2007860-2
2	D	4.5	4-2007860-1
3	C	5.5	3-2007860-6
3	C	4.9	3-2007860-5
3	C	4.5	3-2007860-4
2	C	5.5	3-2007860-3
2	C	4.9	3-2007860-2
2	C	4.5	3-2007860-1
3	B	5.5	2-2007860-6
3	B	4.9	2-2007860-5
3	B	4.5	2-2007860-4
2	B	5.5	2-2007860-3
2	B	4.9	2-2007860-2
2	B	4.5	2-2007860-1
3	A	5.5	1-2007860-6
3	A	4.9	1-2007860-5
3	A	4.5	1-2007860-4
2	A	5.5	1-2007860-3
2	A	4.9	1-2007860-2
2	A	4.5	1-2007860-1
3	-	5.5	2007860-6
3	-	4.9	2007860-5
3	-	4.5	2007860-4
2	-	5.5	2007860-3
2	-	4.9	2007860-2
2	-	4.5	2007860-1
FINISH	KEY POSITION	DIM M	PART NUMBER



REFER TO WWW.TE.COM
FOR PRODUCT AVAILABILITY

THIS DRAWING IS A CONTROLLED DOCUMENT.		DWN R. COELLO 09MAY2011	TE Connectivity
DIMENSIONS: mm		CHK J. EARY 09MAY2011	
TOLERANCES UNLESS OTHERWISE SPECIFIED:		APVD J. EARY 09MAY2011	NAME: IMPACT, 5 PAIR, 16 COLUMN, HEADER RIGHT GUIDED, OPEN END WALL SIGNAL MODULE, 0.46 PTH
0 PLC ±0.25		PRODUCT SPEC	
1 PLC ±0.13		APPLICATION SPEC	SIZE: CAGE CODE: DRAWING NO: RESTRICTED TO
2 PLC ±		WEIGHT	A100779C=2007860
3 PLC ±		CUSTOMER DRAWING	SCALE: 5:1 SHEET 2 OF 2 REV A
4 PLC ±			
ANGLES			
FINISH: SEE TABLE			