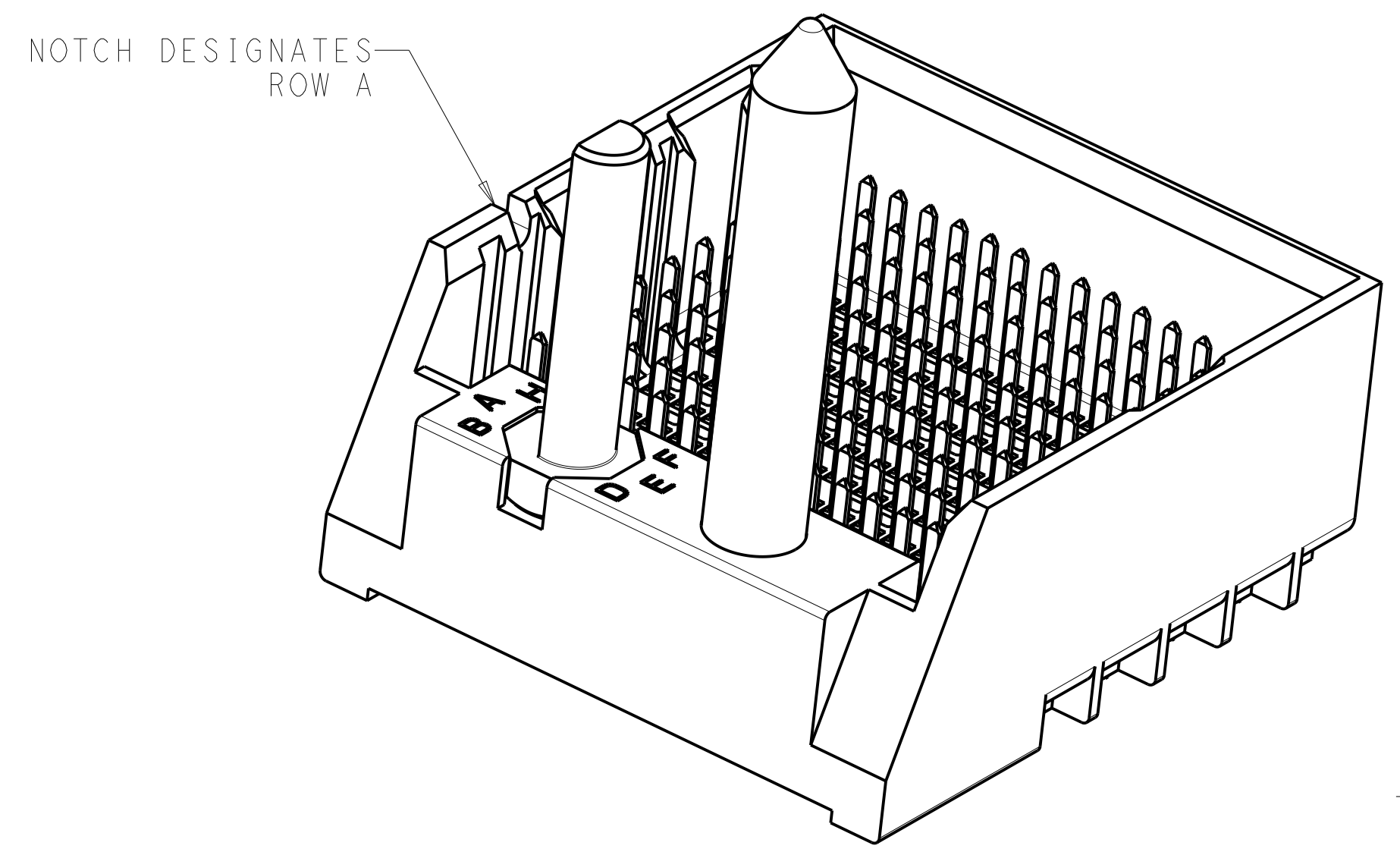
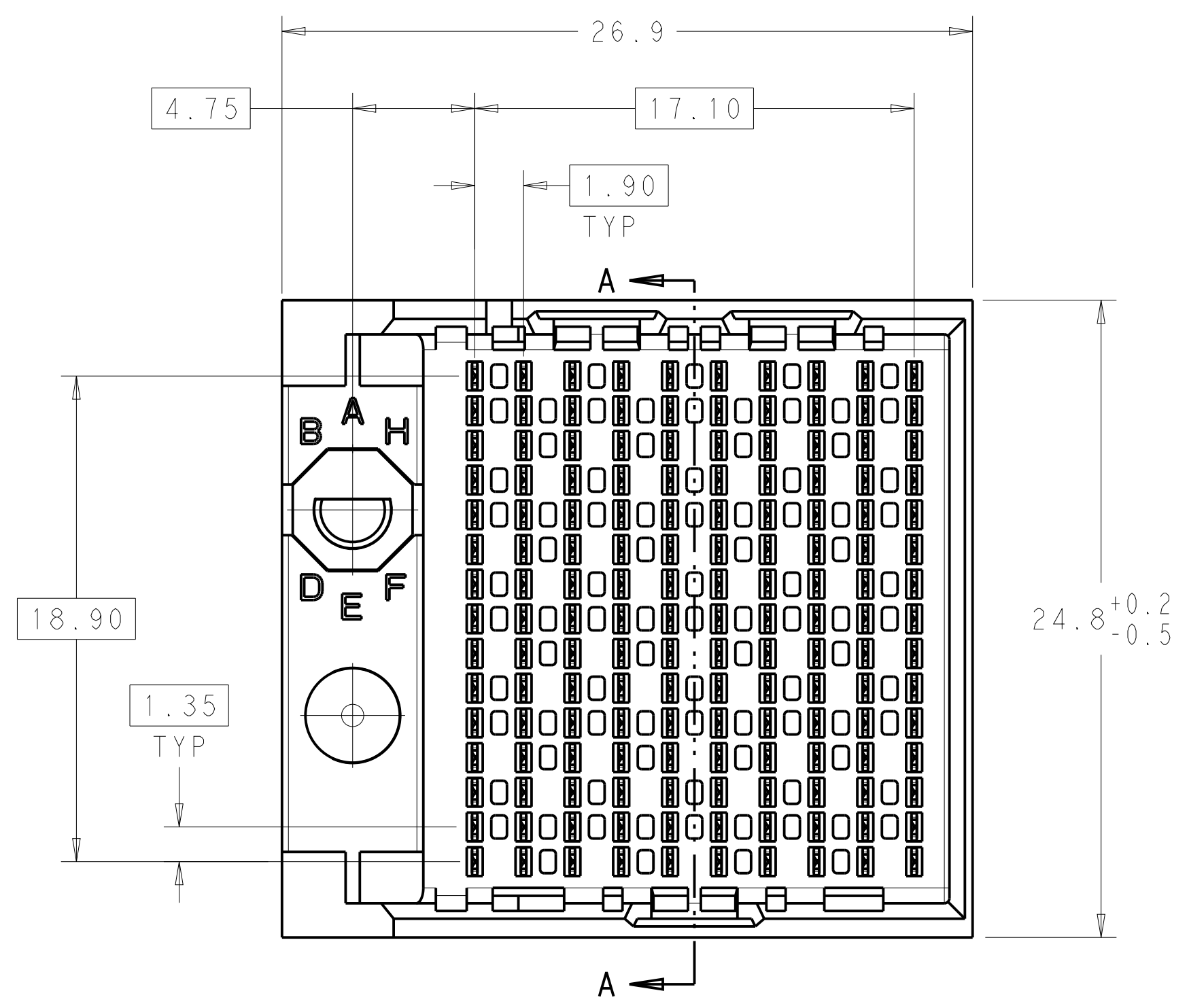
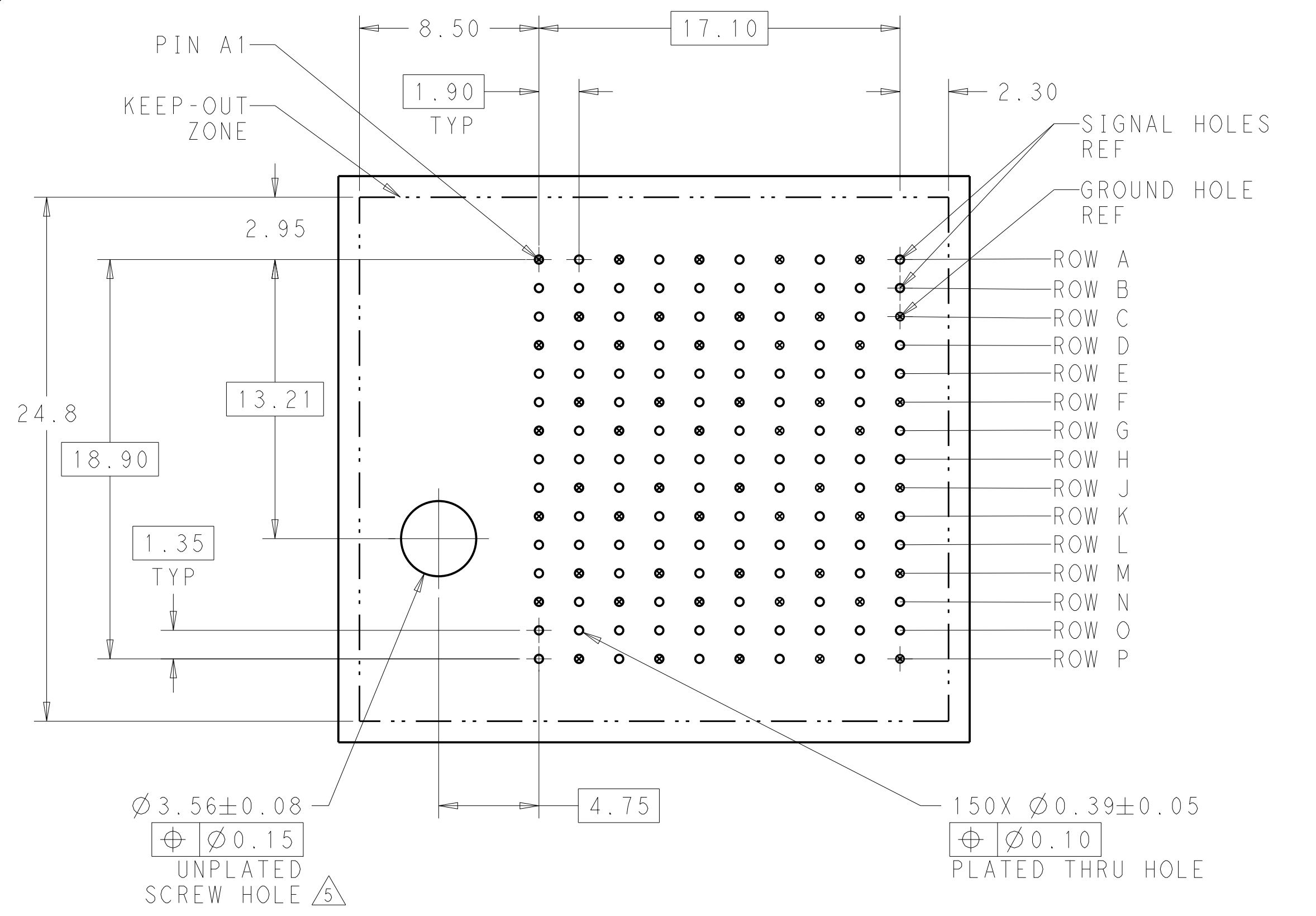


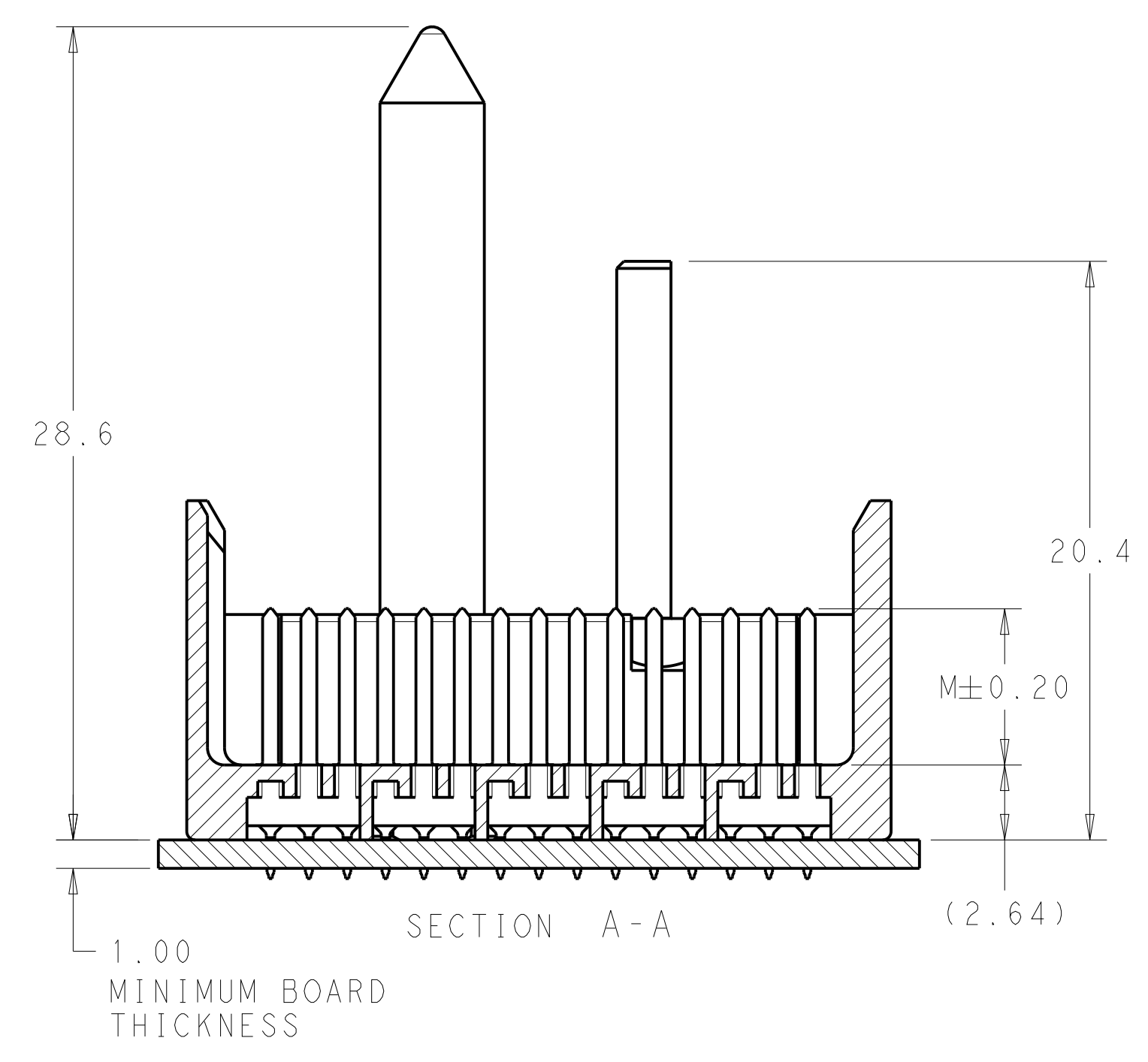
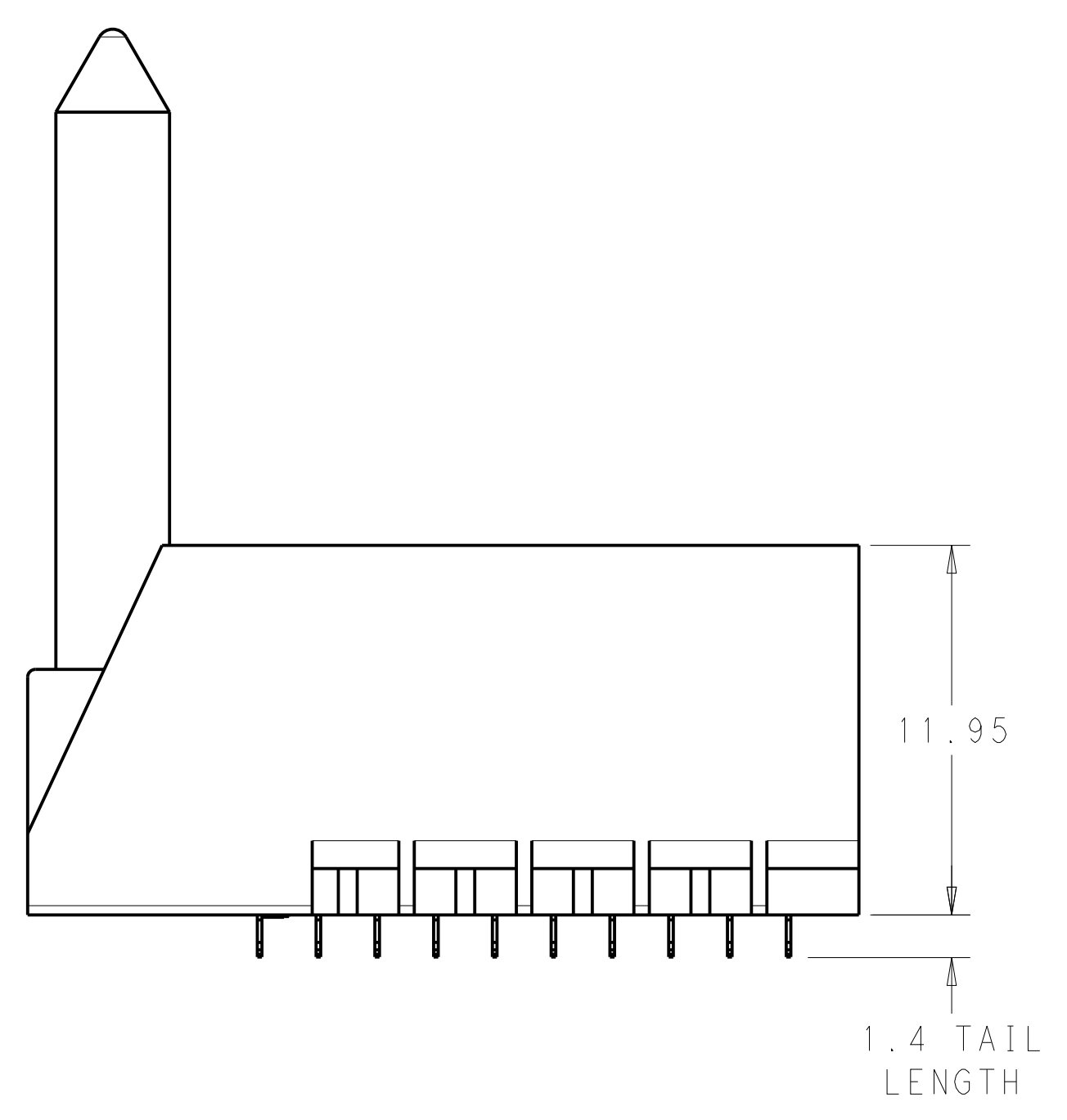
REVISIONS				
P.	LTN.	DESCRIPTION	DATE	APV.
C		REVISED PER ECO-14-000933	28JAN2014	AP DD



- 1. MATERIAL:
HOUSING: LCP, GLASS FILLED, UL94V-0.
TERMINALS: HIGH PERFORMANCE COPPER ALLOY.
- 2. FINISH:
30µ" MIN GOLD IN CONTACT AREA. SELECTIVE TIN ON PCB TAILS, NICKEL OVERALL.
- 3. FINISH:
30µ" MIN GOLD IN CONTACT AREA. SELECTIVE TIN-LEAD ON PCB TAILS, NICKEL OVERALL.
- 4. SCREWS PACKAGED IN END OF PACKAGING TUBE.
- 5. FOR GROUNDED GUIDE PIN USE Ø3.56±0.08 PTH, Ø3.66 DRILL, AND Ø6.5 PAD.
- 6. KEYING PIN SHOWN IN POSITION A, SEE KEYING CHART ON SHEET 2 FOR OTHER POSITIONS.



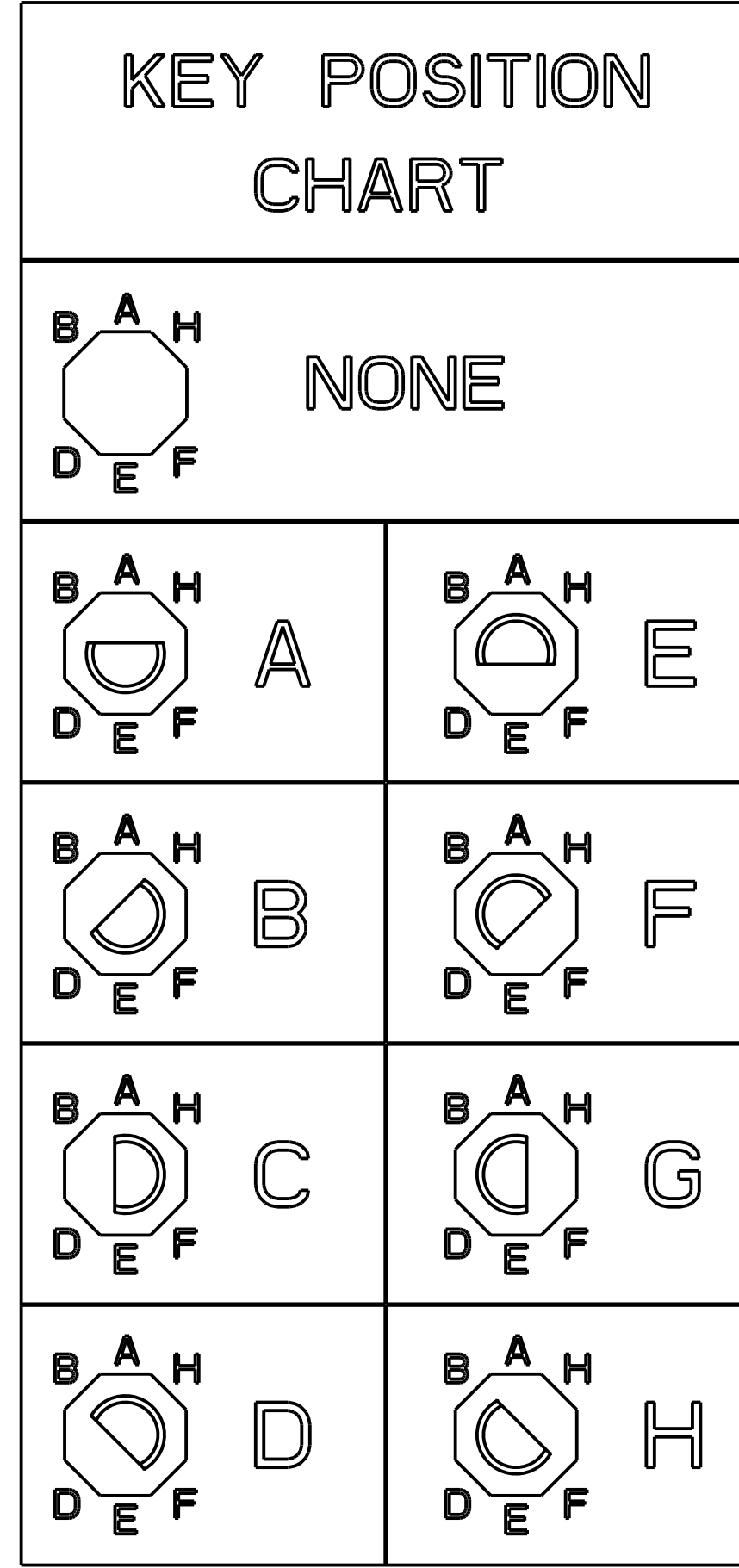
LEFT GUIDED BACKPLANE HOLE PATTERN (CONNECTOR SIDE)



THIS DRAWING IS A CONTROLLED DOCUMENT.		OWN J. K. SHOBER 02FEB2011	TE Connectivity
DIMENSIONS: mm		CHK J. EARY 02FEB2011	
TOLERANCES UNLESS OTHERWISE SPECIFIED:		APVD J. EARY 02FEB2011	NAME
0 PLC ±		PRODUCT SPEC	IMPACT, 5 PAIR, 10 COLUMN, HEADER
1 PLC ±0.25		APPLICATION SPEC	LEFT GUIDED, RIGHT END WALL
2 PLC ±0.13		WEIGHT	SIGNAL MODULE, 0.39 PTH
3 PLC ±		SIZE CAGE CODE DRAWING NO	A100779C=2007843
4 PLC ±		RESTRICTED TO	
ANGLES ±		CUSTOMER DRAWING	
MATERIAL FINISH SEE TABLE		SCALE 5:1	SHEET 1 OF 2 REV C

REVISIONS				
P.	LTN	DESCRIPTION	DATE	APVD
-	-	SEE SHEET 1	-	-

3	H	5.5	8-2007843-6
3	H	4.9	8-2007843-5
3	H	4.5	8-2007843-4
2	H	5.5	8-2007843-3
2	H	4.9	8-2007843-2
2	H	4.5	8-2007843-1
3	G	5.5	7-2007843-6
3	G	4.9	7-2007843-5
3	G	4.5	7-2007843-4
2	G	5.5	7-2007843-3
2	G	4.9	7-2007843-2
2	G	4.5	7-2007843-1
3	F	5.5	6-2007843-6
3	F	4.9	6-2007843-5
3	F	4.5	6-2007843-4
2	F	5.5	6-2007843-3
2	F	4.9	6-2007843-2
2	F	4.5	6-2007843-1
3	E	5.5	5-2007843-6
3	E	4.9	5-2007843-5
3	E	4.5	5-2007843-4
2	E	5.5	5-2007843-3
2	E	4.9	5-2007843-2
2	E	4.5	5-2007843-1
3	D	5.5	4-2007843-6
3	D	4.9	4-2007843-5
3	D	4.5	4-2007843-4
2	D	5.5	4-2007843-3
2	D	4.9	4-2007843-2
2	D	4.5	4-2007843-1
3	C	5.5	3-2007843-6
3	C	4.9	3-2007843-5
3	C	4.5	3-2007843-4
2	C	5.5	3-2007843-3
2	C	4.9	3-2007843-2
2	C	4.5	3-2007843-1
3	B	5.5	2-2007843-6
3	B	4.9	2-2007843-5
3	B	4.5	2-2007843-4
2	B	5.5	2-2007843-3
2	B	4.9	2-2007843-2
2	B	4.5	2-2007843-1
3	A	5.5	1-2007843-6
3	A	4.9	1-2007843-5
3	A	4.5	1-2007843-4
2	A	5.5	1-2007843-3
2	A	4.9	1-2007843-2
2	A	4.5	1-2007843-1
3	-	5.5	2007843-6
3	-	4.9	2007843-5
3	-	4.5	2007843-4
2	-	5.5	2007843-3
2	-	4.9	2007843-2
2	-	4.5	2007843-1
FINISH	KEY POSITION	DIM M	PART NUMBER



REFER TO WWW.TE.COM
FOR PRODUCT AVAILABILITY

THIS DRAWING IS A CONTROLLED DOCUMENT.		DWN J. K. SHOBER 02FEB2011 CHK J. EARY 02FEB2011 APVD J. EARY 02FEB2011	TE Connectivity
DIMENSIONS: mm	TOLERANCES UNLESS OTHERWISE SPECIFIED: 0 PLC ±0.25 2 PLC ±0.13 3 PLC ±0.13 4 PLC ±0.13 ANGLES ±0.13	NAME IMPACT, 5 PAIR, 10 COLUMN, HEADER LEFT GUIDED, RIGHT END WALL SIGNAL MODULE, 0.39 PTH	
MATERIAL -	FINISH SEE TABLE	PRODUCT SPEC APPLICATION SPEC WEIGHT CUSTOMER DRAWING	SIZE A100779C=2007843 RESTRICTED TO
SCALE 5:1		SHEET 2 OF 2	REV C