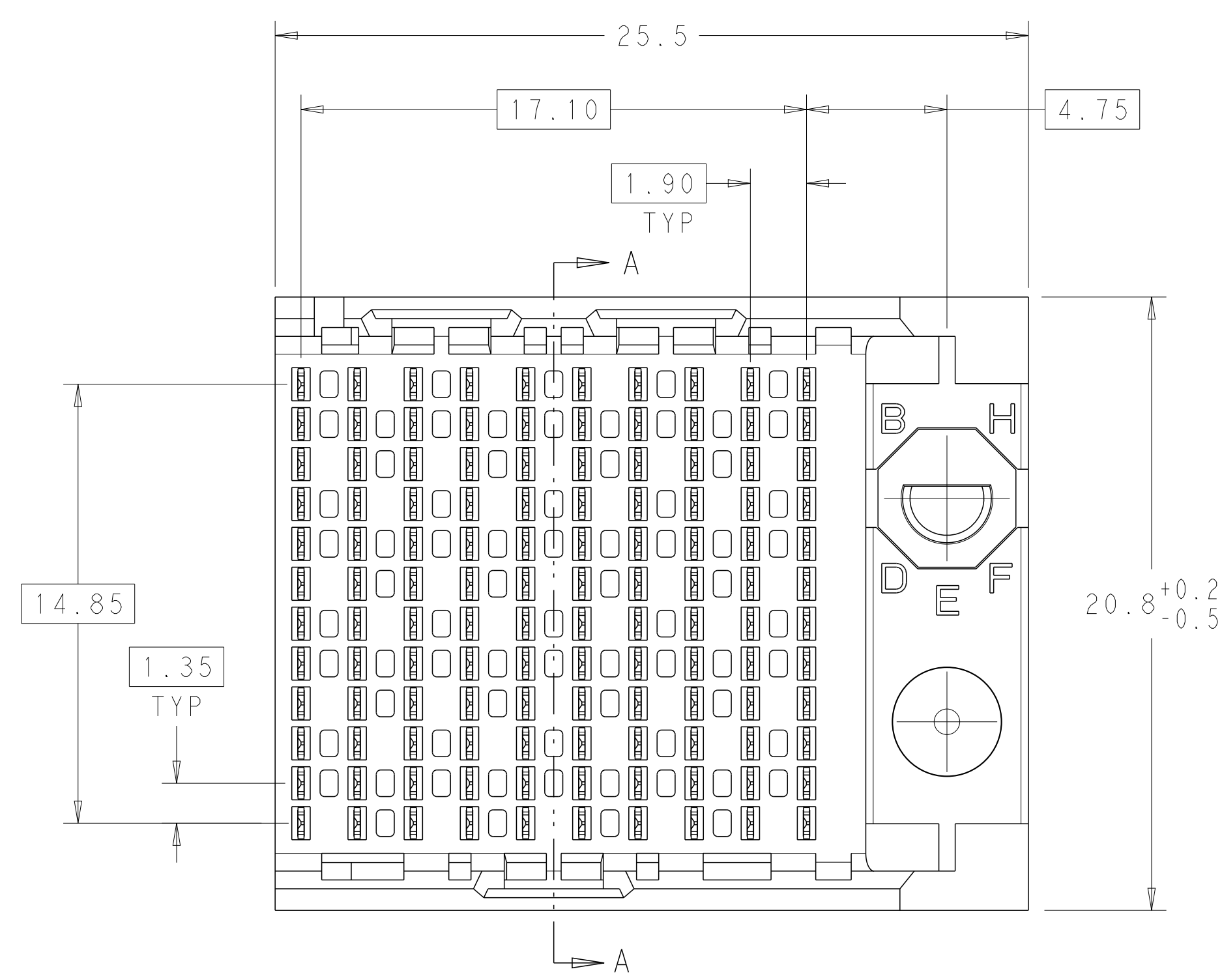
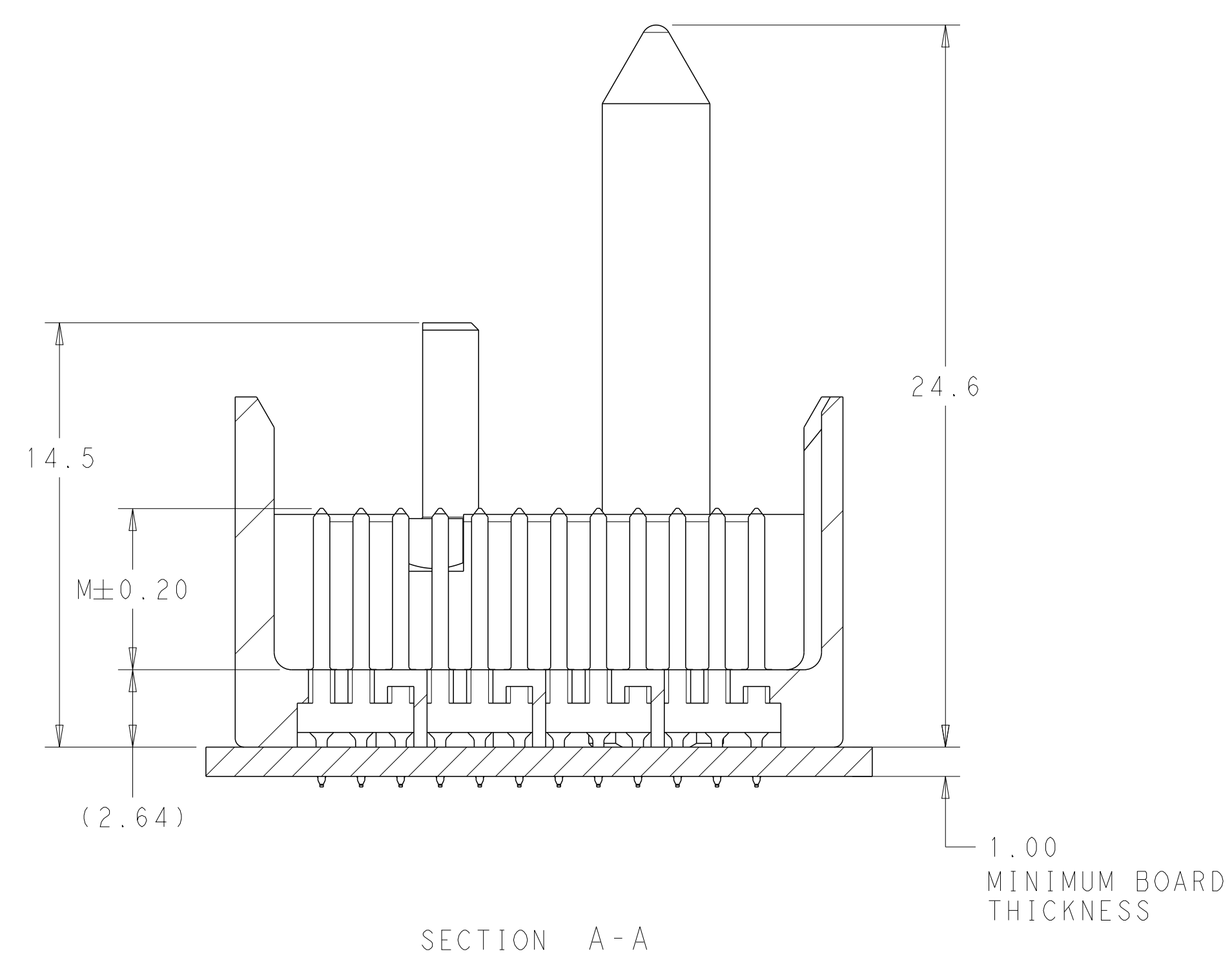
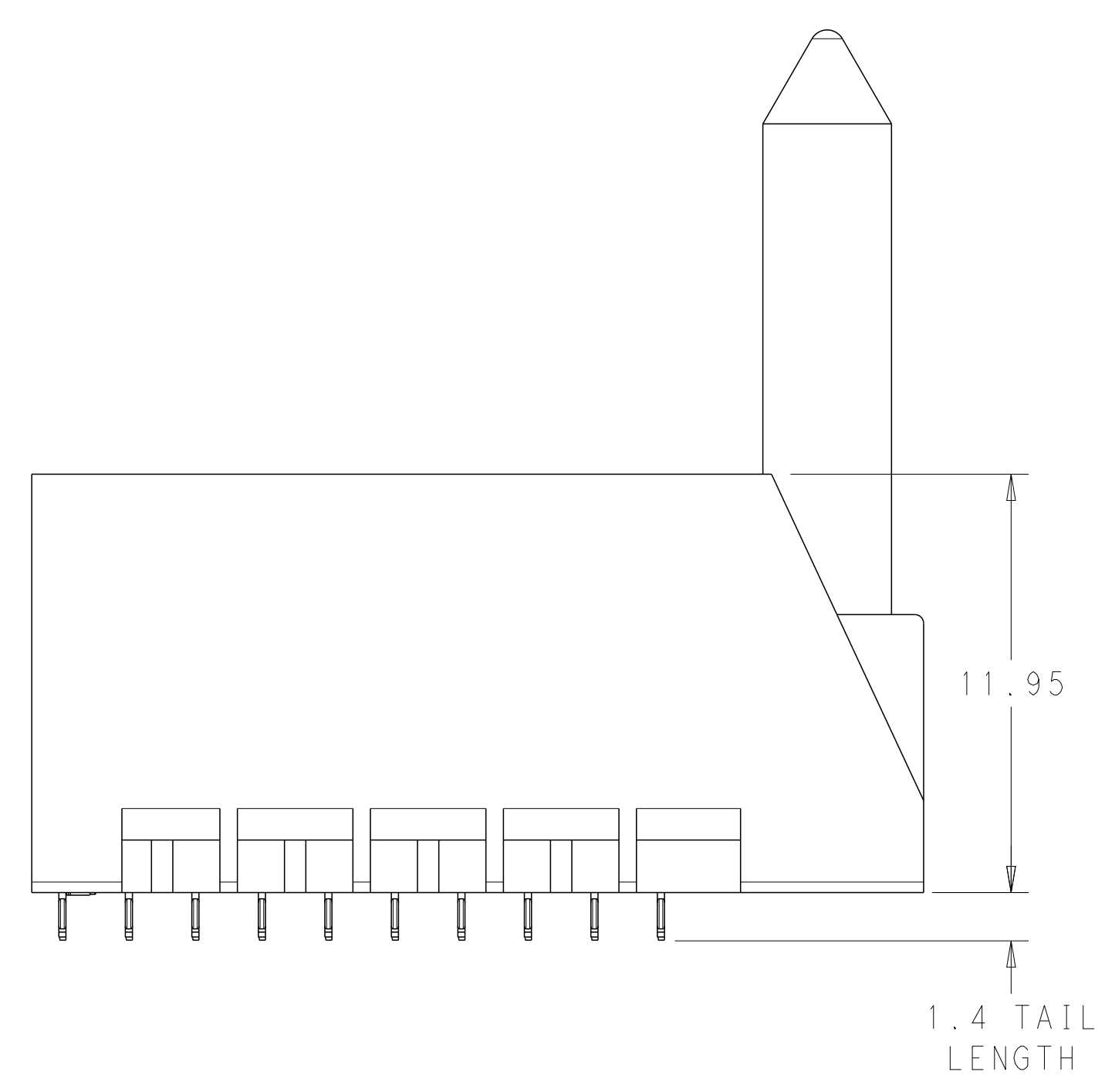
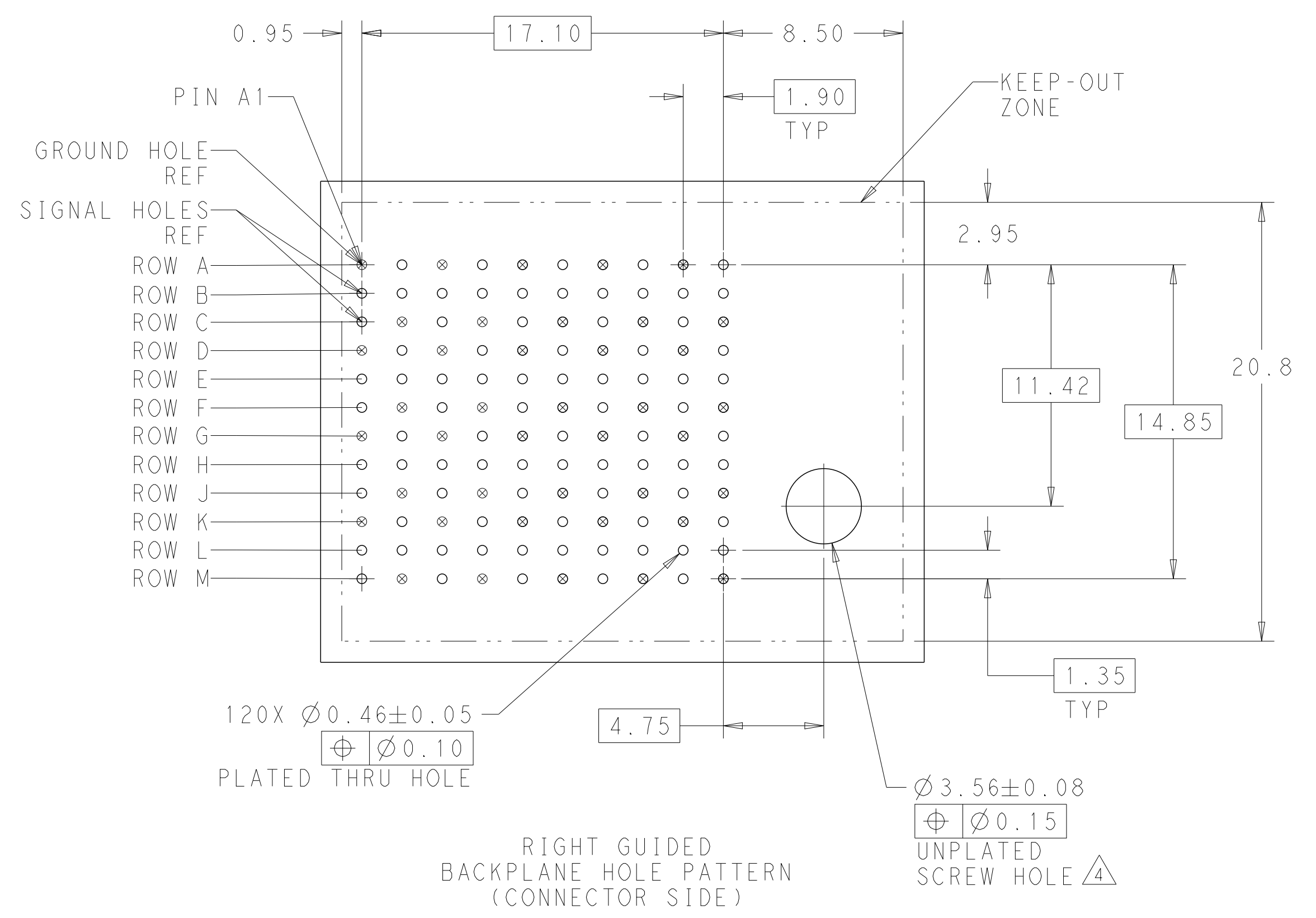
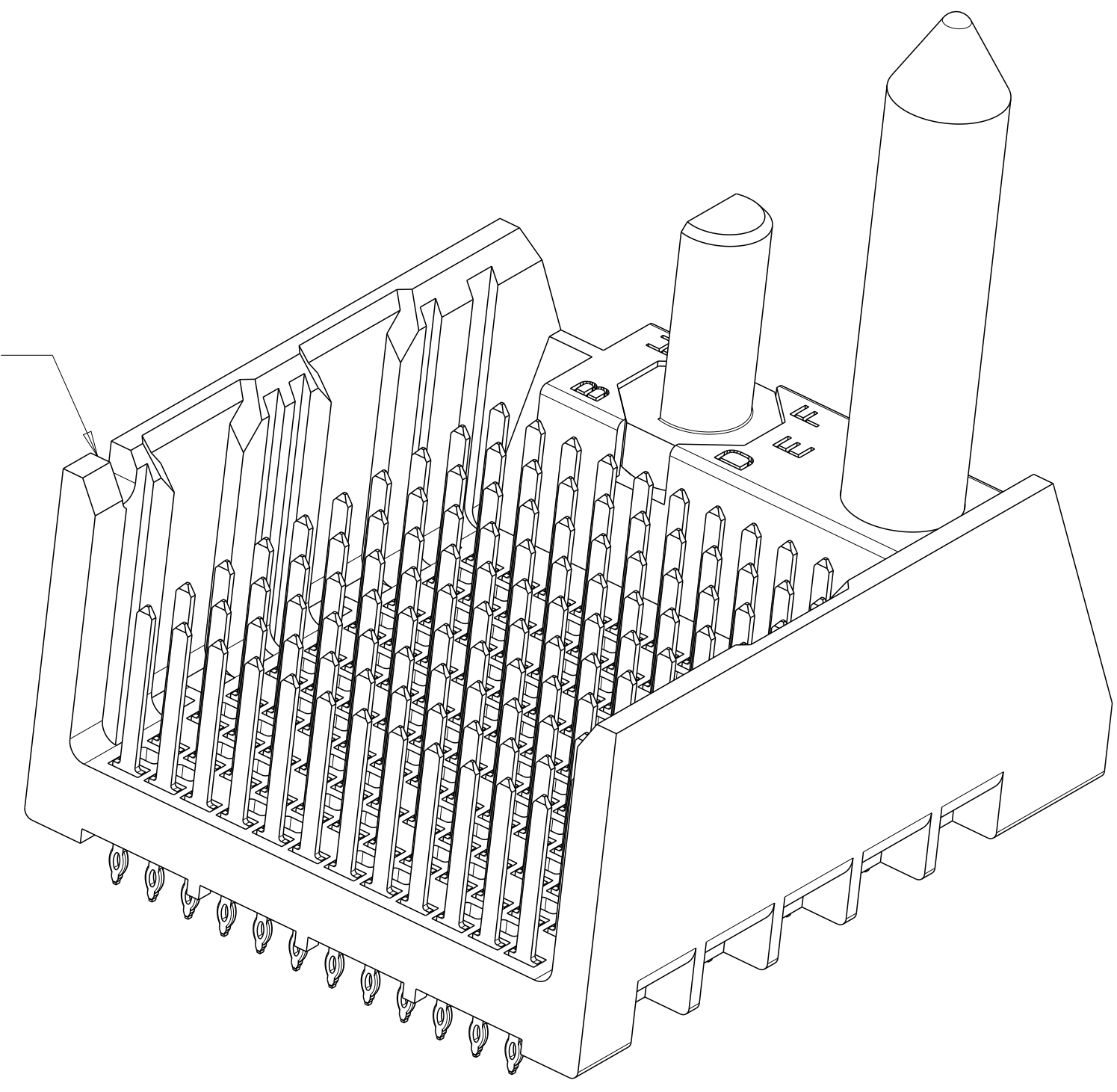


REVISIONS				
P	LTN	DESCRIPTION	DATE	DWN APVD
A1		REVISED PER ECO-15-001494	04FEB2015	AP DD

- 1. MATERIAL:
HOUSING: LCP, GLASS FILLED, UL94V-0.
TERMINALS: HIGH PERFORMANCE COPPER ALLOY.
- 2. FINISH:
30μ" MIN GOLD IN CONTACT AREA. SELECTIVE TIN ON PCB TAILS, NICKEL OVERALL.
- 3. SCREWS PACKAGED IN END OF PACKAGING TUBE.
- 4. FOR GROUNDED GUIDE PIN USE Ø3.56±0.08 PTH, Ø3.66 DRILL, AND Ø6.5 PAD.
- 5. KEYING PIN SHOWN IN POSITION A, SEE KEYING CHART ON SHEET 2 FOR OTHER POSITIONS.



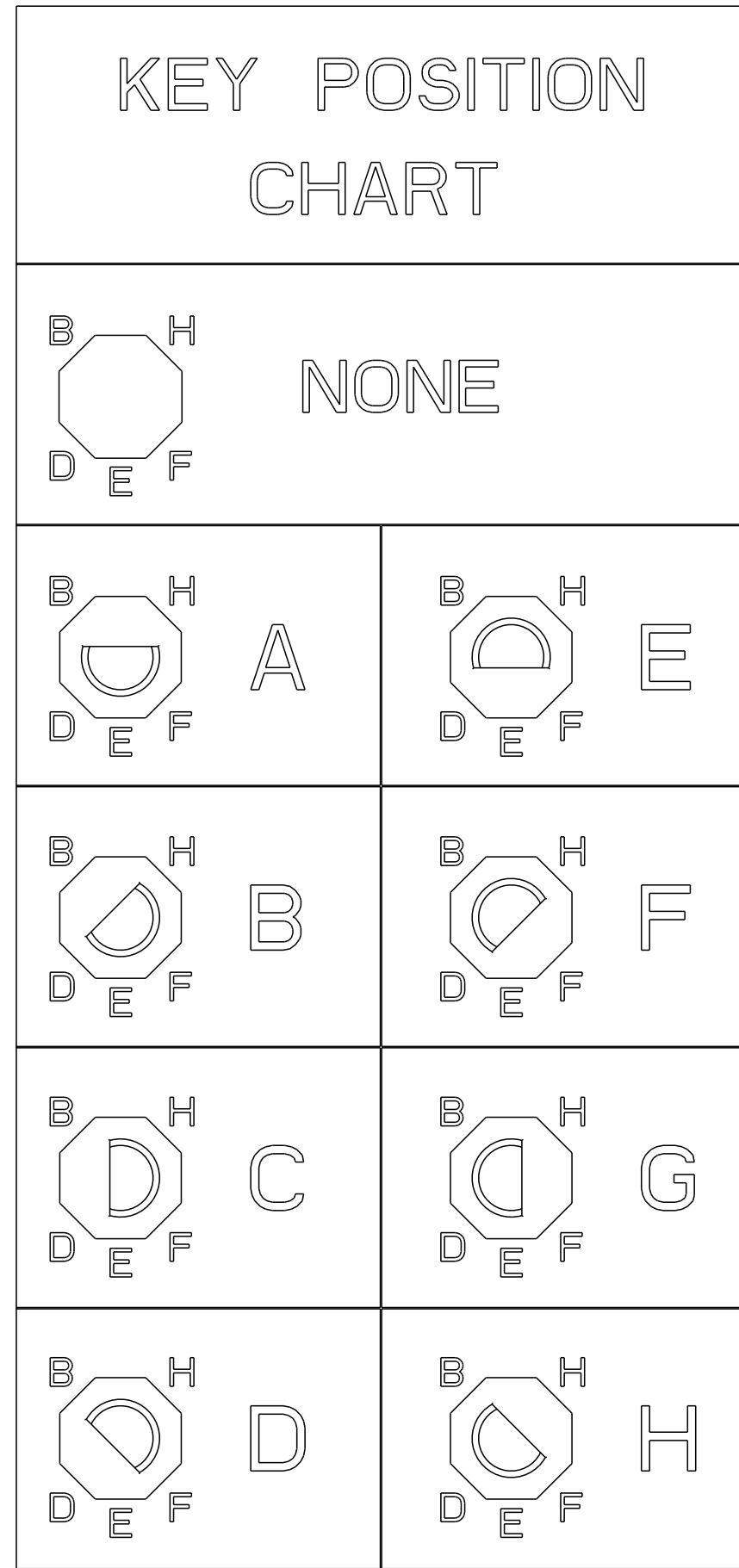
NOTCH DESIGNATES ROW A



THIS DRAWING IS A CONTROLLED DOCUMENT.		DWN J.K. SHOBER 22DEC2010	TE Connectivity
DIMENSIONS: mm		CHK J. EARY 22DEC2010	
TOLERANCES UNLESS OTHERWISE SPECIFIED:		APVD J. EARY 22DEC2010	NAME: IMPACT, 4 PAIR, 10 COLUMN, HEADER RIGHT GUIDED, OPEN END WALL SIGNAL MODULE, 0.46 PTH
0 PLC ±0.25 1 PLC ±0.13 2 PLC ±0.13 3 PLC ±0.13 4 PLC ±0.13 ANGLES ±0.13		PRODUCT SPEC APPLICATION SPEC	
MATERIAL: SEE TABLE		WEIGHT: -	SIZE: A100779 CAGE CODE: 2007812 DRAWING NO: C=2007812
FINISH: SEE TABLE		Customer Drawing	RESTRICTED TO: - SCALE: 6:1 SHEET 1 OF 2 REV A1

THIS DRAWING IS UNPUBLISHED. RELEASED FOR PUBLICATION 20
 © COPYRIGHT 20 BY - ALL RIGHTS RESERVED.

REVISIONS				
P.	LTN	DESCRIPTION	DATE	APVD
-	-	SEE SHEET 1	-	-



	H	5.5	8-2007812-3
	H	4.9	8-2007812-2
	H	4.5	8-2007812-1
	G	5.5	7-2007812-3
	G	4.9	7-2007812-2
	G	4.5	7-2007812-1
	F	5.5	6-2007812-3
	F	4.9	6-2007812-2
	F	4.5	6-2007812-1
	E	5.5	5-2007812-3
	E	4.9	5-2007812-2
	E	4.5	5-2007812-1
	D	5.5	4-2007812-3
	D	4.9	4-2007812-2
	D	4.5	4-2007812-1
	C	5.5	3-2007812-3
	C	4.9	3-2007812-2
	C	4.5	3-2007812-1
	B	5.5	2-2007812-3
	B	4.9	2-2007812-2
	B	4.5	2-2007812-1
	A	5.5	1-2007812-3
	A	4.9	1-2007812-2
	A	4.5	1-2007812-1
	-	5.5	2007812-3
	-	4.9	2007812-2
	-	4.5	2007812-1
FINISH	KEY POSITION	DIM M	PART NUMBER

REFER TO WWW.TE.COM
FOR PRODUCT AVAILABILITY

THIS DRAWING IS A CONTROLLED DOCUMENT.		DWN J.K. SHOBER 22DEC2010 CHK J. EARY 22DEC2010	TE Connectivity
DIMENSIONS: mm	TOLERANCES UNLESS OTHERWISE SPECIFIED: 0 PLC ±.25 1 PLC ±0.13 2 PLC ±.13 3 PLC ±. 4 PLC ±. ANGLES ±. FINISH ±.	APVD J. EARY 22DEC2010	
MATERIAL	SEE TABLE	NAME IMPACT, 4 PAIR, 10 COLUMN, HEADER RIGHT GUIDED, OPEN END WALL SIGNAL MODULE, 0.46 PTH	RESTRICTED TO
Customer Drawing		SIZE CAGE CODE DRAWING NO A100779C=2007812	SCALE 5:1 SHEET 2 OF 2 REV A1