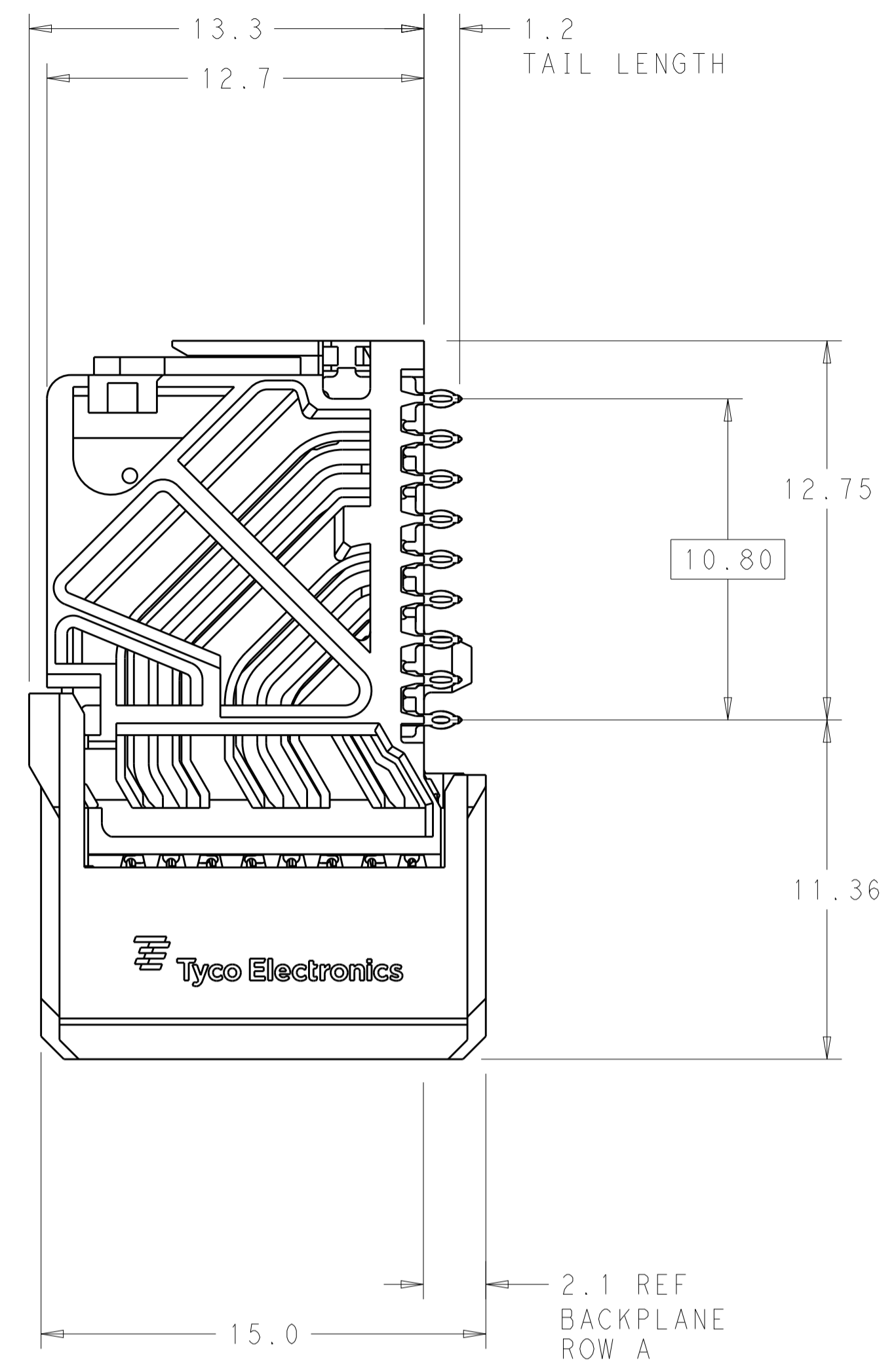
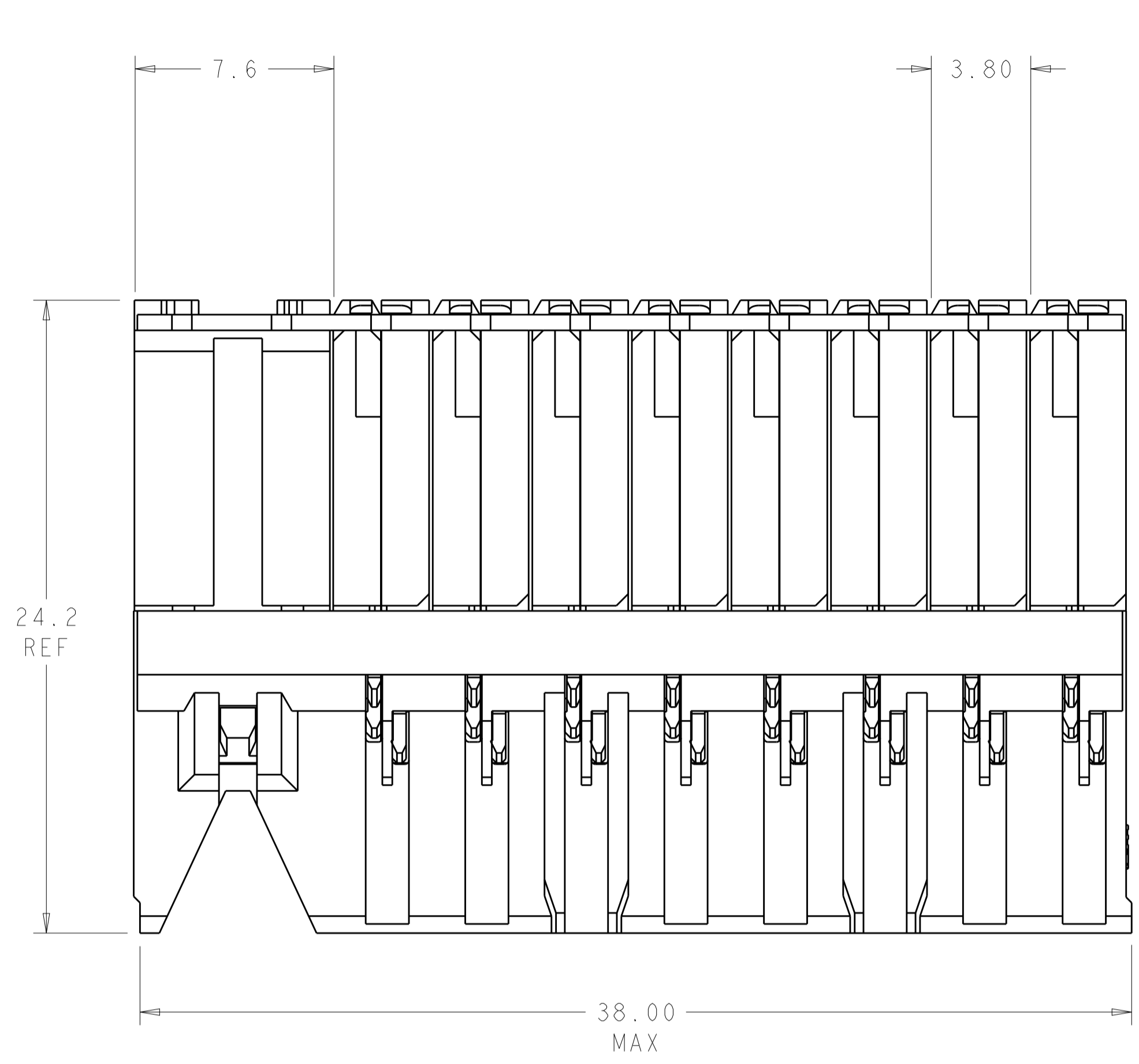
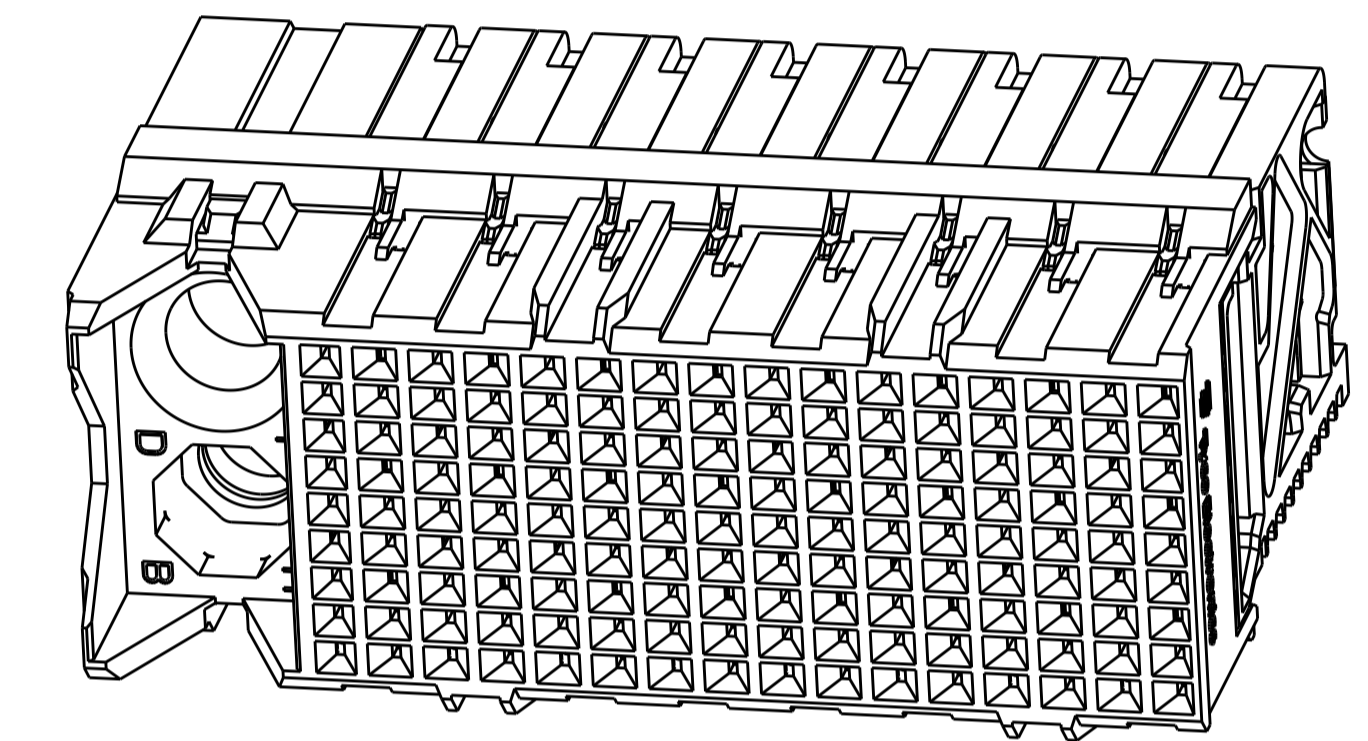


LOC		DIST		REVISIONS			
P	LTN	DESCRIPTION	DATE	DWN	APVD		
B1		REVISED PER ECO-14-018035	11MAR2015	AP	DD		

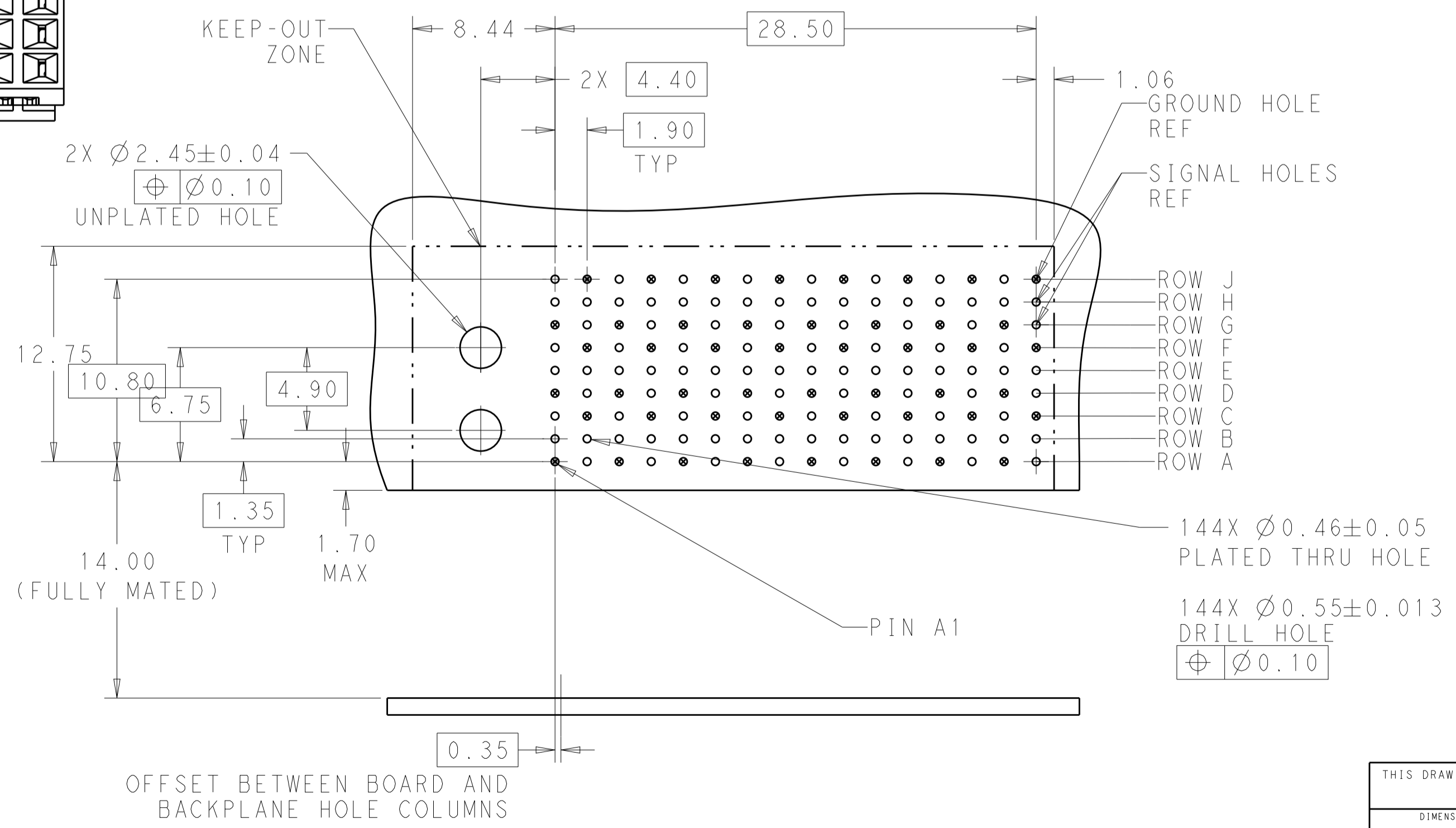
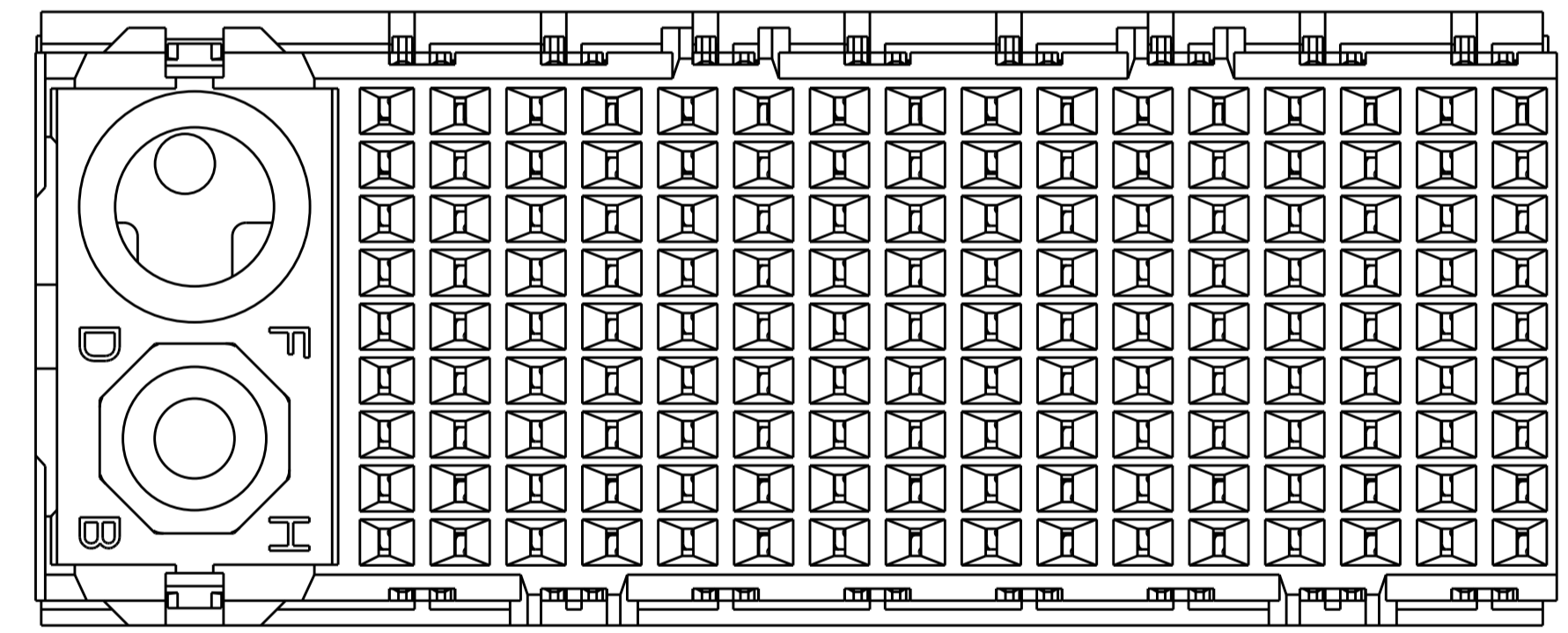


- MATERIAL:
HOUSING: LCP, GLASS FILLED, UL94V-0.
TERMINALS: HIGH PERFORMANCE COPPER ALLOY.
- FINISH:
30µ" SELECTIVE GOLD IN CONTACT AREA. SELECTIVE TIN ON PCB TAILS, NICKEL OVERALL.
- CONNECTORS SUPPLIED WITH MOUNTING SCREWS



SCALE 4:1

REFER TO WWW.TE.COM FOR PRODUCT AVAILABILITY



KEY POSITION CHART	
NONE	
A	E
B	F
C	G
D	H

KEY POSITION	FINISH	PART NUMBER
H	△	8-2007706-1
G	△	7-2007706-1
F	△	6-2007706-1
E	△	5-2007706-1
D	△	4-2007706-1
C	△	3-2007706-1
B	△	2-2007706-1
A	△	1-2007706-1
NONE	△	2007706-1

THIS DRAWING IS A CONTROLLED DOCUMENT.

DIMENSIONS:	TOLERANCES UNLESS OTHERWISE SPECIFIED:	DWN B. CARBO 05JAN2011	NAME
mm	0 PLC ±	CHK D. DIXON 05JAN2011	IMPACT, 3 PAIR, DAUGHTERCARD
	1 PLC ±0.2	APVD D. DIXON 05JAN2011	16 COLUMN, LEFT GUIDED, SIGNAL
	2 PLC ±0.13		MODULE, 0.46 EYELET
	3 PLC ±		
	4 PLC ±		
	ANGLES ±		
MATERIAL	FINISH SEE TABLE	WEIGHT	SIZE CAGE CODE DRAWING NO RESTRICTED TO
			A100779C=2007706
		Customer Drawing	SCALE 6:1 SHEET 1 OF 1 REV B1