

4

3

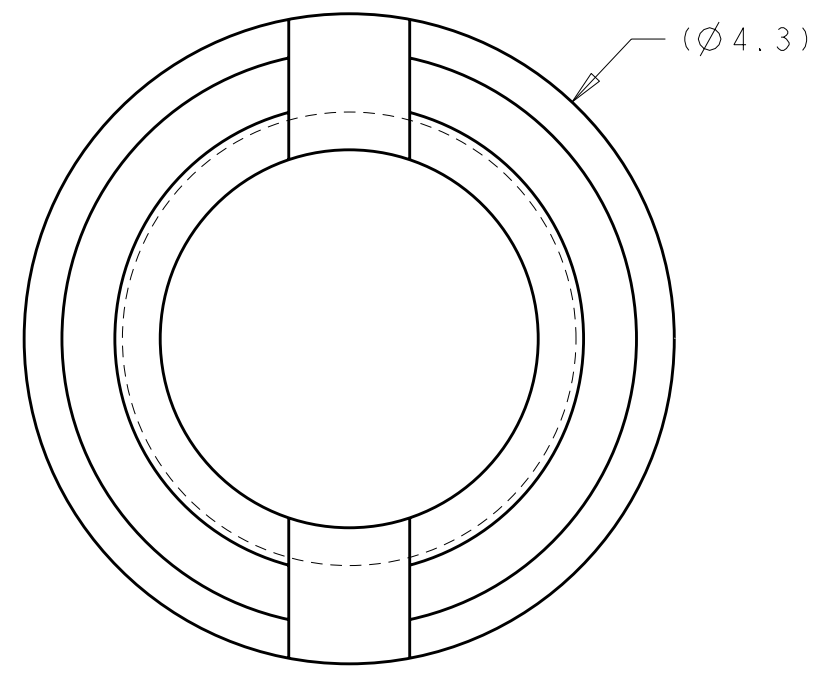
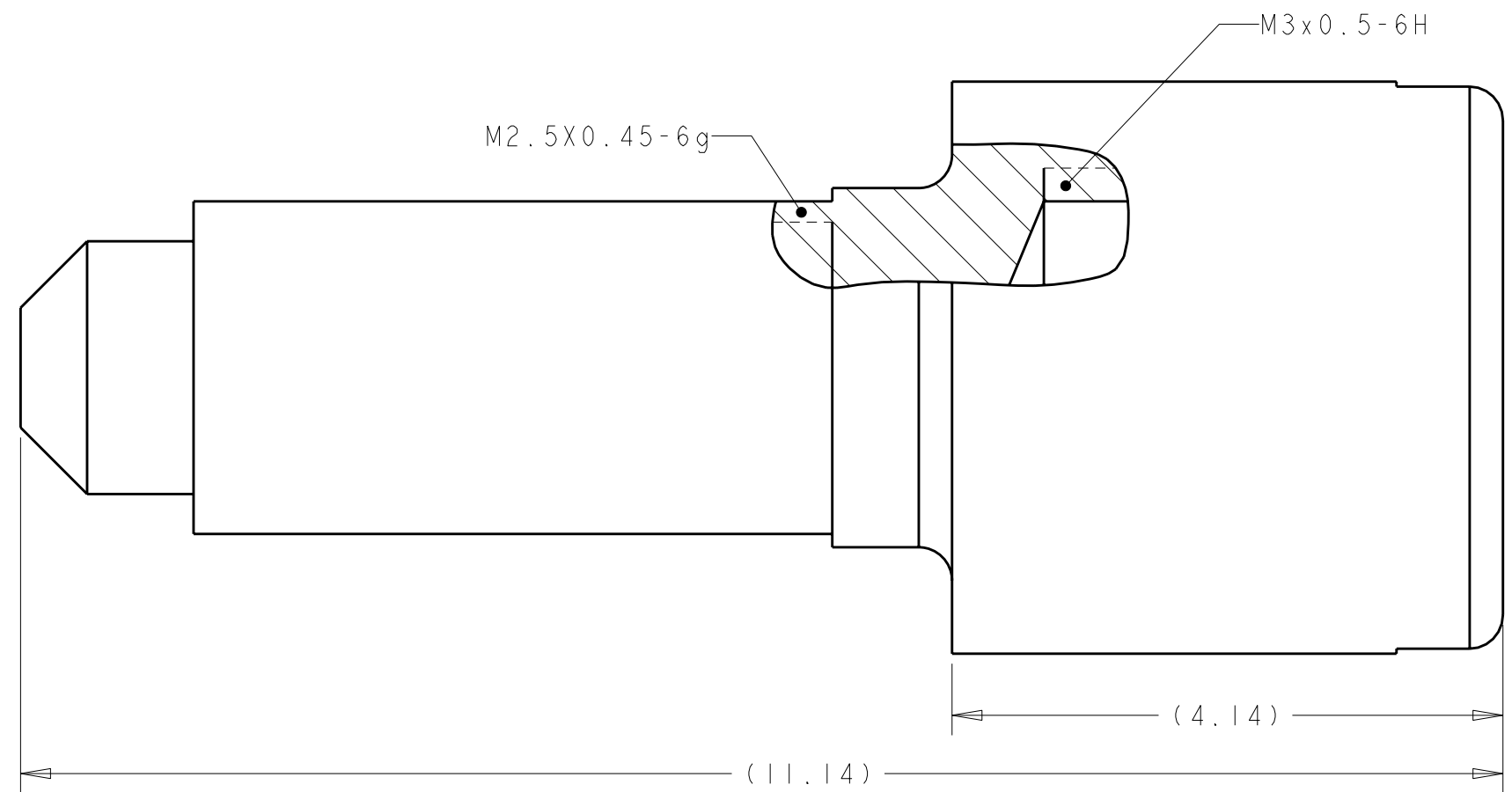
2

1

THIS DRAWING IS UNPUBLISHED. RELEASED FOR PUBLICATION 20
 © COPYRIGHT 20 BY TYCO ELECTRONICS CORPORATION. ALL RIGHTS RESERVED.

LOC	DIST	REVISIONS			
P	LTR	DESCRIPTION	DATE	DWN	APVD
GP	00	A	INITIAL RELEASE	27NOV2007	MEC PAR

1. STAINLESS STEEL PER ASTM A 582



100	2007478-2
960	2007478-1
QTY/BAG	PART NUMBER

<small>THIS DRAWING IS A CONTROLLED DOCUMENT FOR TYCO ELECTRONICS CORPORATION IT IS SUBJECT TO CHANGE AND THE CONTROLLING ENGINEERING ORGANIZATION SHOULD BE CONTACTED FOR THE LATEST REVISION.</small>		DWN M.E. COWHER 27NOV2007 CHK P.A. RECCE 27NOV2007 APVD P.A. RECCE 27NOV2007	Tyco Electronics Harrisburg, PA 17105-3608
DIMENSIONS: mm 	TOLERANCES UNLESS OTHERWISE SPECIFIED: 0 PLC ±. 1 PLC ±. 2 PLC ±. 3 PLC ±. 4 PLC ±. ANGLES ±. MATERIAL SEE NOTE FINISH -	NAME SCREW LOCK, M2,5 THREADED, RECEPTACLE, MRJ 21 PRODUCT SPEC - APPLICATION SPEC - WEIGHT -	SIZE A3 CAGE CODE 00779 DRAWING NO C-2007478 RESTRICTED TO -
CUSTOMER DRAWING		SCALE 20:1	SHEET 1 OF 1 REV A