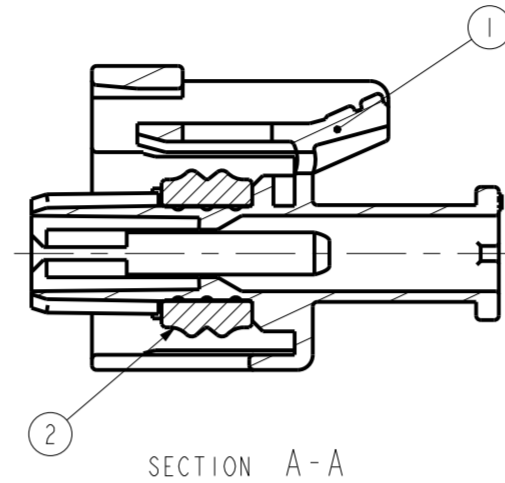
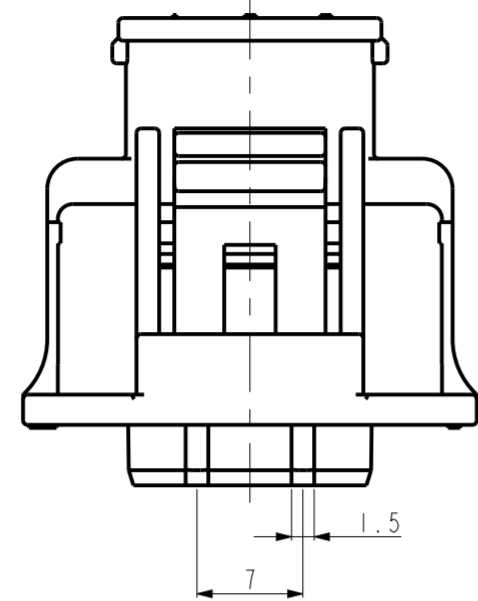
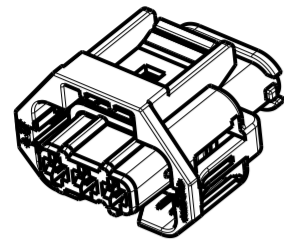


THIS DRAWING IS UNPUBLISHED. RELEASED FOR PUBLICATION 20
 © COPYRIGHT 20 BY - ALL RIGHTS RESERVED.

REVISIONS					
P	LTR	DESCRIPTION	DATE	DWN	APVD
B		REVISED (ECR-14-016858)	12.NOV.'14	SJ	HG
B1		REVISED (ECR-15-009355)	09.NOV.'15	SJ	HG
B2		REVISED (ECR-16-005949)	25.APR.'16	JM	JW
C		R3EVISED (ECR-20-012240)	01DEC2020	YH	YJ



NOTE.

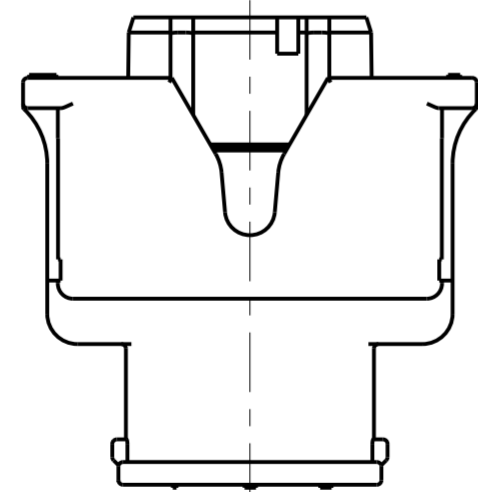
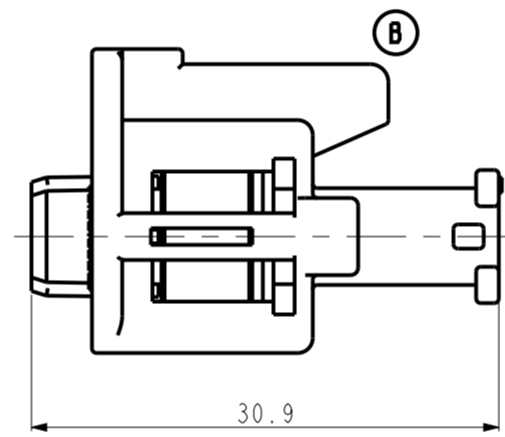
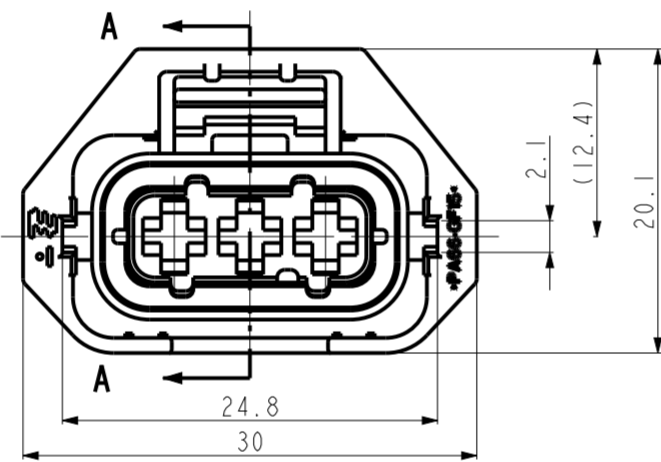
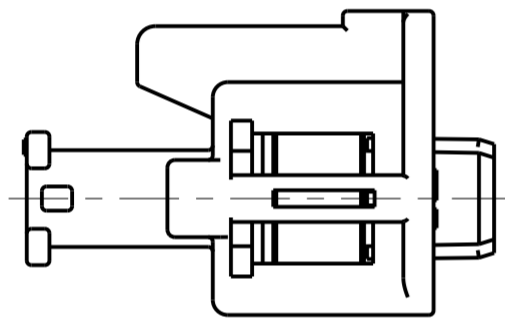
- 0.15MAX. WARPAGE AND 0.2 MAX. FLASH ARE PERMISSIBLE
- SURFACE DEFECTS ARE NOT ACCEPTABLE AS FOLLOW : SINK, WELD LINES, HAIRCRACKS, STAINS & SCORES
- APPLICABLE RECEPTACLE CONTACT P/N

CONTACT P/N	JPT TERMINAL			
	929939-6	929937-6	927770-3	927766-3
WIRE SIZE (mm ²)	0.5~1.0	1.0~2.5	0.5~1.0	1.0~2.5
FINISH	SEL-PRE-SILVERED		PRE-TINNED	

- APPLICABLE WIRE SEAL P/N :

DESCRIPTION P/N	SINGLE WIRE SEAL(5mm HOLE)		
	828904	828905	368299
INSULATION DIA(Ø)	1.2~2.1	2.2~3.0	2.8~3.2

- APPLICABLE PRODUCTS:
 -RETAINER HSG (P/N : 936106-X)
 -WIRE COVER HSG (P/N : 936112-X)



CODE I	CODE II
CODE III	CODE VI

NO	COLOR	MATERIAL	DESCRIPTION	3-2005390-2	2-2005390-6	2-2005390-2	1-2005390-6	1-2005390-2	2005390-6	2005390-2	ASS'Y P/N
2	ULTRAMARIN BLUE	SILICONE (LSR)	INNER SEAL	-		-		-		-	
	RED ORANGE	SILICONE	INNER SEAL		-		-		-		
1	BLACK	PA66-GF15	PLUG HSG(CODE VI)		-	-	-	-	-	-	
	BLACK	PA66-GF15	PLUG HSG(CODE III)	-			-	-	-	-	
	BLACK	PA66-GF15	PLUG HSG(CODE II)	-	-	-			-	-	
	BLACK	PA66-GF15	PLUG HSG(CODE I)	-	-	-	-	-			

THIS DRAWING IS A CONTROLLED DOCUMENT.

DIMENSIONS: mm

TOLERANCES UNLESS OTHERWISE SPECIFIED:

0 PLC	±
1 PLC	± 0.3
2 PLC	±
3 PLC	±
4 PLC	±
ANGLES	± 3°
FINISH	N/A

MATERIAL: SEE TABLE

DWN: JM JEON
CHK: -
APVD: JW JUNG
PRODUCT SPEC: -
APPLICATION SPEC: -
WEIGHT: -

STE TE Connectivity

NAME: JPT SEALED 3P PLUG ASS'Y

SIZE: A2 CAGE CODE: 00779 DRAWING NO: C-2005390 RESTRICTED TO: C

CUSTOMER DRAWING SCALE: 2:1 SHEET OF REV: C