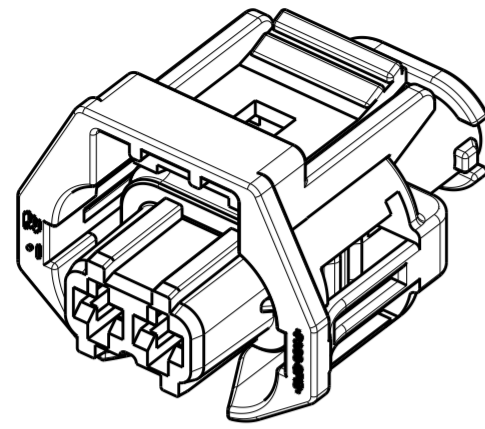
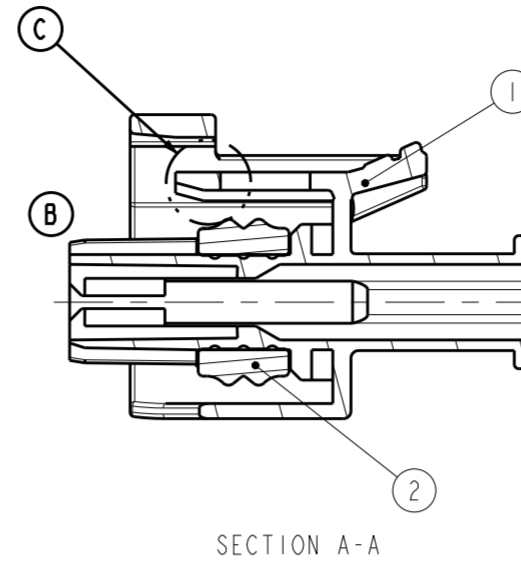
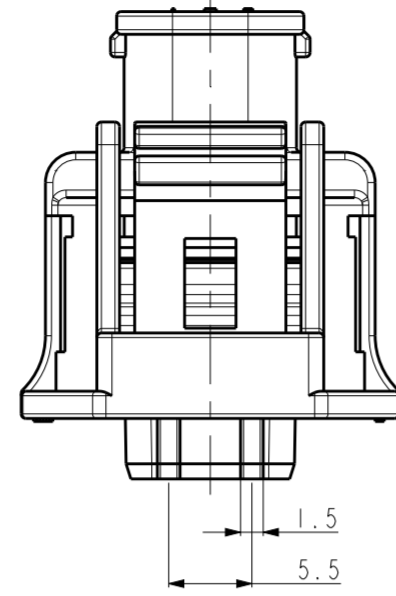


THIS DRAWING IS UNPUBLISHED. RELEASED FOR PUBLICATION 20
 © COPYRIGHT 20 BY - ALL RIGHTS RESERVED.

REVISIONS				
P	LTR	DESCRIPTION	DATE	APVD
C		REVISED (ECR-15-012311)	09.SEP.'15	SJ HG
C1		REVISED (ECR-16-007392)	23.MAY.'16	SJ JW
C2		REVISED (ECR-19-006645)	25.APR.'19	TY YJ
C3		REVISED (ECR-19-014597)	18SEP2019	CH YJ



ISO VIEW
(SCALE 2:1)



SECTION A-A

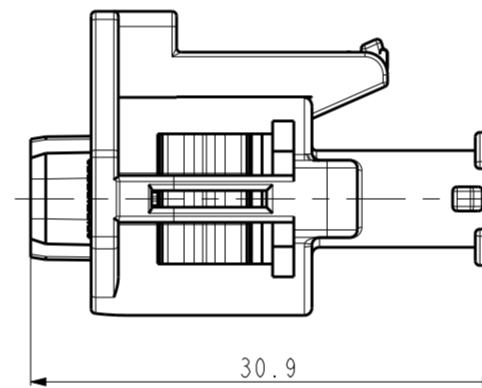
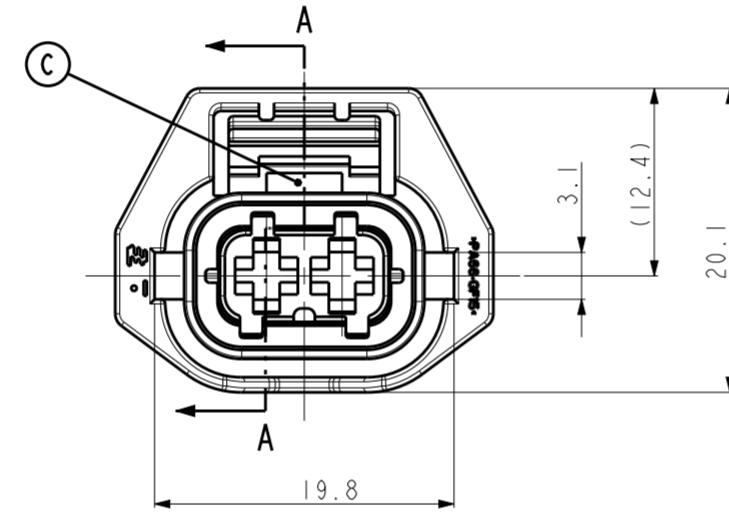
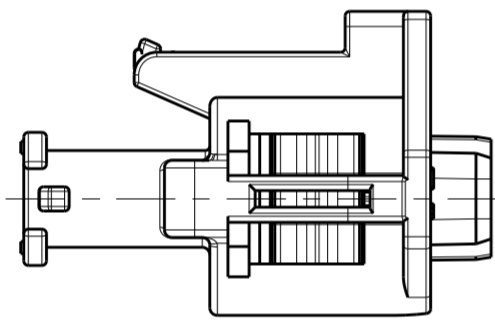
- NOTE
- 0.15 MAX. WARPAGE AND 0.2MAX. FLASH ARE PERMISSIBLE
 - SURFACE DEFECTS ARE NOT ACCEPTABLE AS FOLLOW:
SINK, WELD LINES, HAIRCRACKS, STAINS & SCORES
 - APPLICABLE RECEPTACLE CONTACT P/N :

CONTACT	JPT TERMINAL			
	P/N	929939-6	929937-6	927770-3
WIRE SIZE (mm ²)	0.5~1.0	1.0~2.5	0.5~1.0	1.0~2.5
FINISH	SEL-PRE-SILVERED		PRE-TINNED	

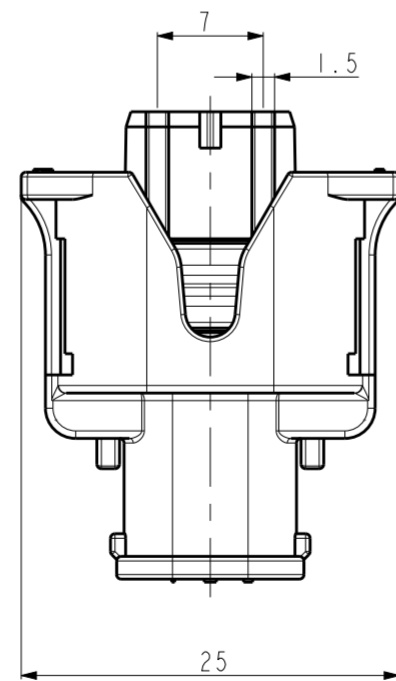
4. APPLICABLE WIRE SEAL P/N:

DESCRIPTION	SINGLE WIRE SEAL (5mm HOLE)		
P/N	828904	828905	368299
INSULATION DIA(Ø)	1.2~2.1	2.2~3.0	2.8~3.2

5. APPLICABLE PRODUCTS:
 -RETAINER HSG (P/N: 936103)
 -WIRE COVER HSG (P/N: 936111)



CODE I	CODE II	
CODE III	CODE VI	CODE V
3.5 5.5	4 3.5 5.5	7 22.55



NO	COLOR	MATERIAL	DESCRIPTION	Q'TY	ASSY P/N
2	BLUE	SILICONE	INNER SEAL	-	4-2005388-2
	ORANGE		INNER SEAL	-	3-2005388-7
1	BLACK	PA66 GF15	PLUG HSG (CODE V)	-	3-2005388-6
	GRAY		PLUG HSG (CODE VI)	-	3-2005388-3
	BLACK		PLUG HSG (CODE III)	-	3-2005388-2
	GRAY		PLUG HSG (CODE III)	-	2-2005388-7
	BLACK		PLUG HSG (CODE II)	-	2-2005388-6
	GRAY		PLUG HSG (CODE II)	-	2-2005388-3
	BLACK		PLUG HSG (CODE I)	-	1-2005388-2
	GRAY		PLUG HSG (CODE I)	-	1-2005388-7
					1-2005388-6
					1-2005388-3
					0-2005388-2
					0-2005388-7
					0-2005388-6
					0-2005388-3
					0-2005388-2

THIS DRAWING IS A CONTROLLED DOCUMENT.

DWN: SJ CHOI
 CHK: SJ CHOI
 APVD: JW JUNG
 PRODUCT SPEC

STE TE Connectivity

NAME: JPT SEALED 2P PLUG ASS'Y

SIZE: A2 CAGE CODE: 00779 DRAWING NO: C-2005388 RESTRICTED TO: -

CUSTOMER DRAWING SCALE: 2:1 SHEET: 1 OF 1 REV: C3